

AUSTRALASIAN HFG STANDARD COMPONENTS

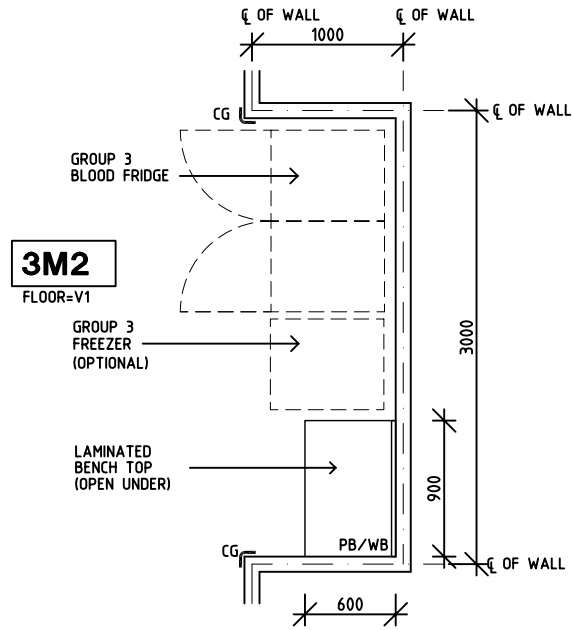
Room Layout Sheet

Room Name **After Hours Blood Fridge**

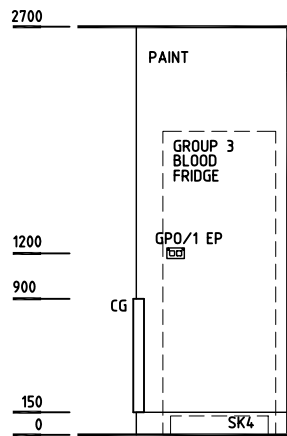
RLS Room Code **AHBBF**

RDS Room Code **AHBBF**

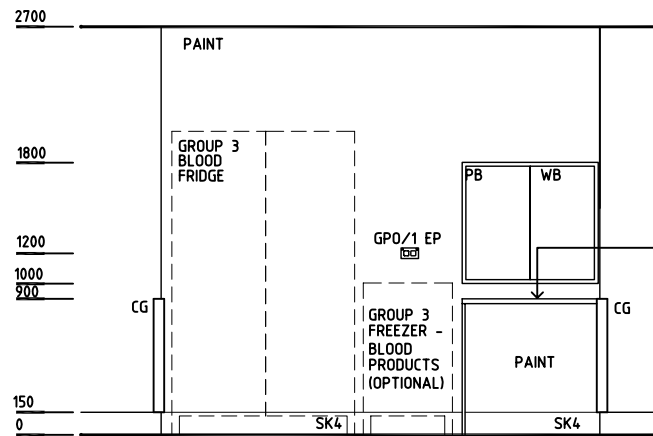
- CG CORNER GUARD
- GPO/1 EP EMERGENCY POWER OUTLET - SINGLE
- PB PINBOARD
- SK4 FLOOR VINYL COVERED SKIRTING
- V1 VINYL FLOORING, STANDARD
- WB WHITEBOARD



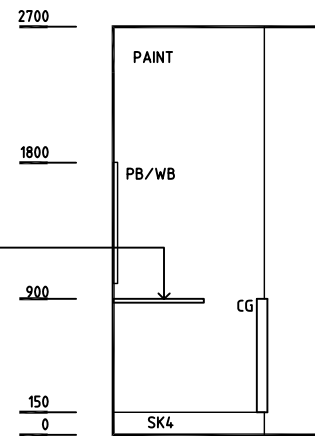
PLAN



ELEVATION 1



ELEVATION 2



ELEVATION 3

REV	DESCRIPTION	DATE	BY	REV	DESCRIPTION	DATE	BY	REV	DESCRIPTION	DATE	BY
1	FIRST ISSUE	11.7.05	HS								
2	SECOND ISSUE	19.4.06	ADS								



HCAMC in association with **UNSW**

HPI

DESIGNED	APPROVED	SCALE(S)	ZONE(S)
CC/AL/JH	DB	1:50 in A3	
CAD FILE NAME AHBBF		PAPER DRAWING ID AHBBF	