

AUSTRALASIAN HFG STANDARD COMPONENTS

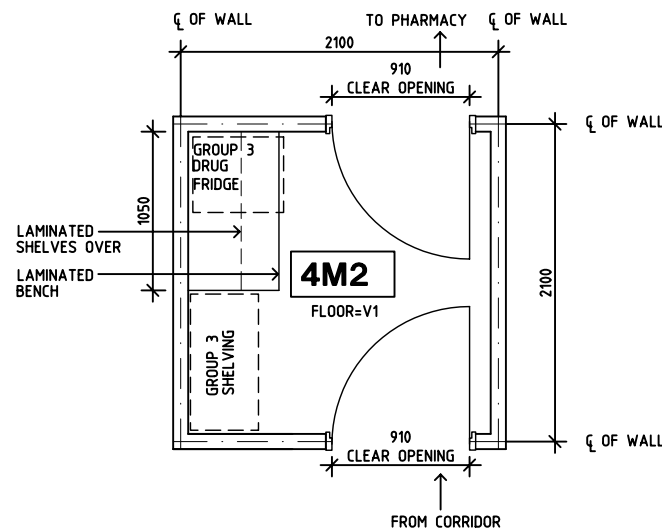
Room Layout Sheet

Room Name **After Hours Drug Store**

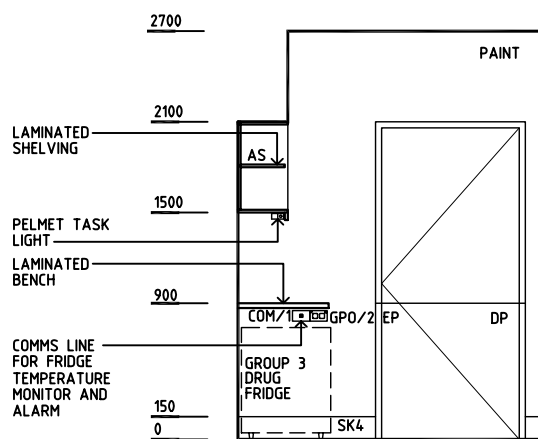
RLS Room Code **AHDR**

RDS Room Code **AHDR**

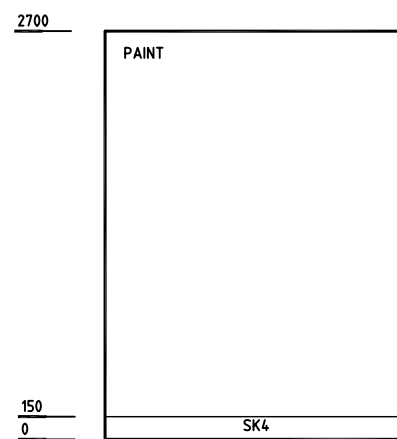
- AS ADJUSTABLE SHELVING
- COM/1 COMMUNICATIONS OUTLET - SINGLE
- DP DOOR AND DOOR FRAME PROTECTION
- GPO/2 EP EMERGENCY POWER OUTLET, DOUBLE
- LS LIGHT SWITCH
- LS/P LIGHT SWITCH - PELMET TASK LIGHT
- SK4 FLOOR VINYL COVERED SKIRTING
- VI VINYL FLOORING, STANDARD



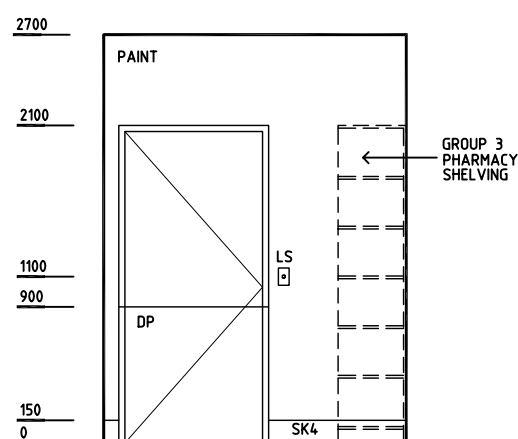
PLAN



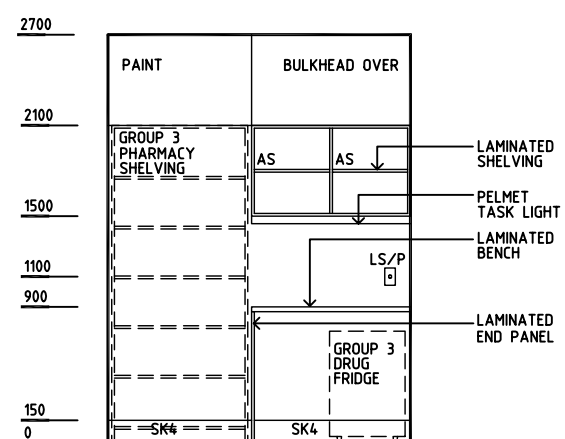
ELEVATION 1



ELEVATION 2



ELEVATION 3



ELEVATION 4

REV	DESCRIPTION	DATE	BY	REV	DESCRIPTION	DATE	BY	REV	DESCRIPTION	DATE	BY
1	FIRST ISSUE	30.6.05	CC								



HPI

DESIGNED	APPROVED	SCALE(S)	ZONE(S)
CC	DB	1:50 in A3	
CAD FILE NAME AHDR		PAPER DRAWING ID AHDR	