

# AUSTRALASIAN HFG STANDARD COMPONENTS

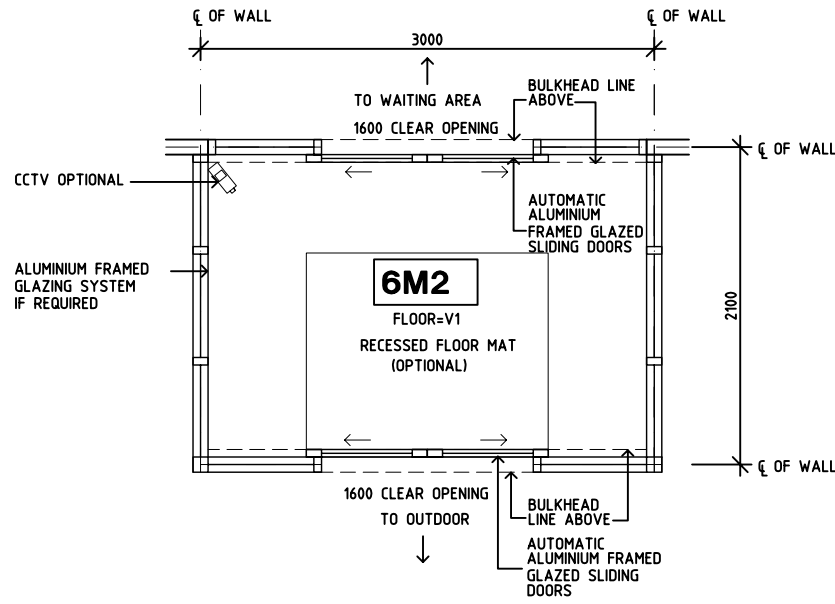
Room Layout Sheet

Room Name **Airlock - Entry, 6m2**

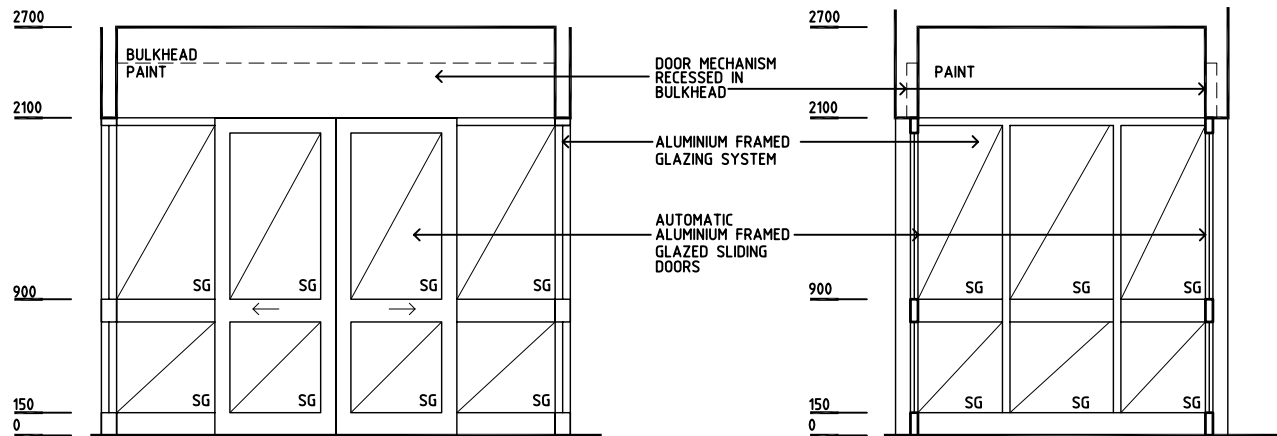
RLS Room Code **AIRLE-6**

RDS Room Code **AIRLE-6**

SG V1 SAFETY GLASS  
V1 VINYL FLOORING, STANDARD



**PLAN**



**ELEVATION 1**

**ELEVATION 2**

REV	DESCRIPTION	DATE	BY	REV	DESCRIPTION	DATE	BY	REV	DESCRIPTION	DATE	BY
1	FIRST ISSUE	11.07.05	AL								
2	2008 AUS HFG REVIEW, GENERAL REVISIONS	10.12.08	MT								

			DESIGNED	APPROVED	SCALE(S)	ZONE(S)
			AL/BJ	DB	150 in A3	
CAD FILE NAME			PAPER DRAWING ID			
AIRLE-6			AIRLE-6			