

AUSTRALASIAN HFG STANDARD COMPONENTS

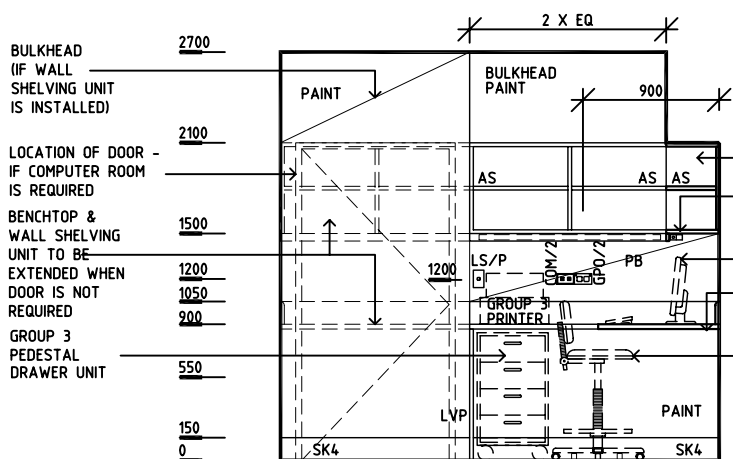
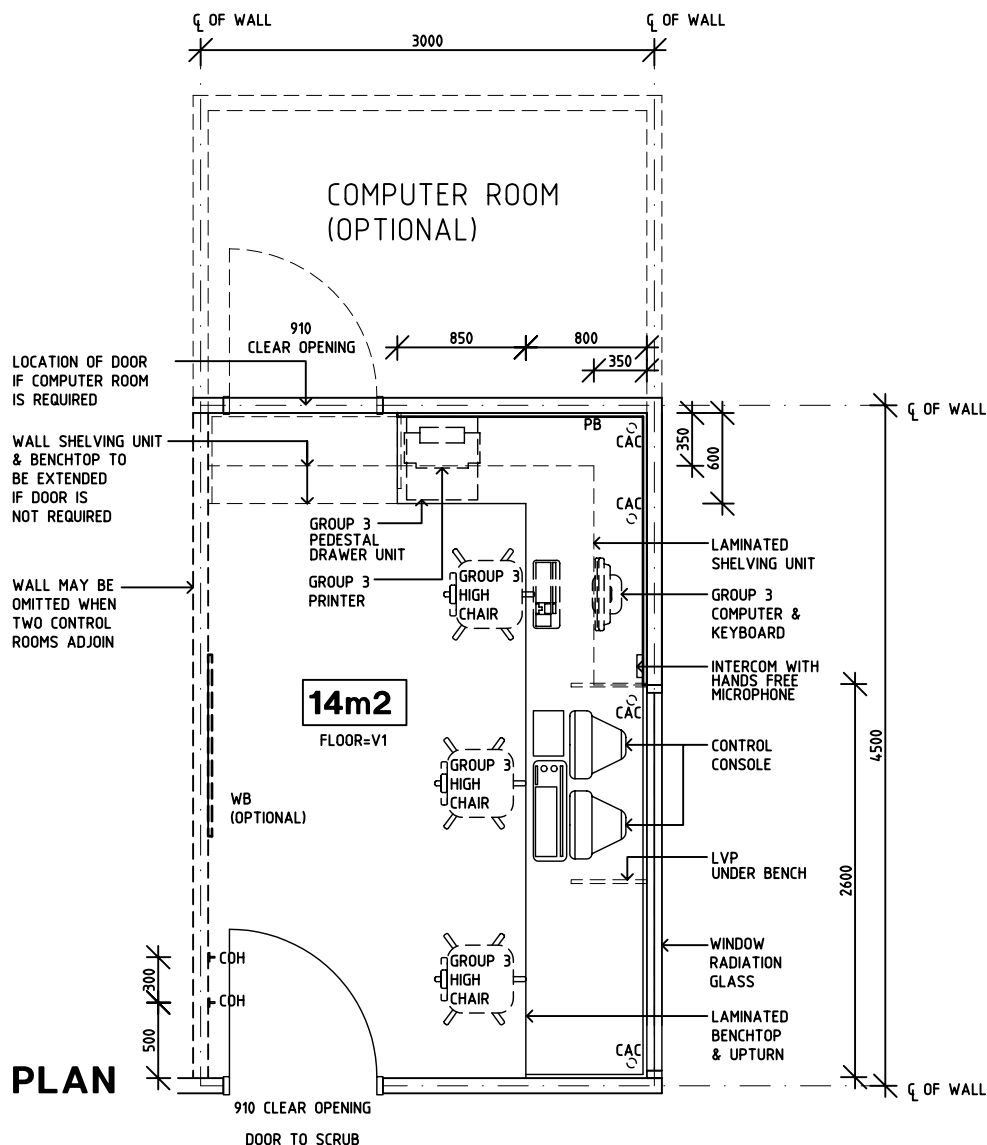
Room Layout Sheet

Room Name **Angiography Control/Reporting Room**

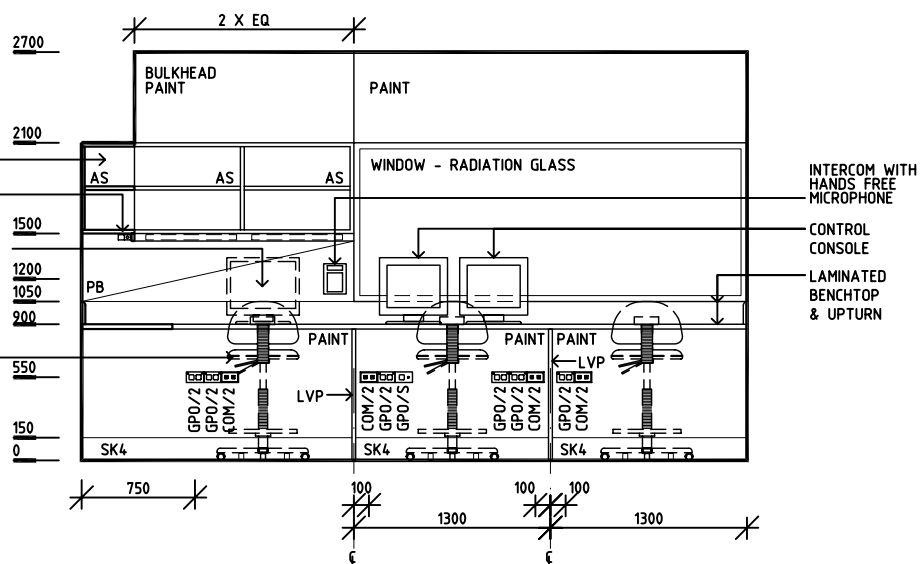
RLS Room Code **ANCRT**

RDS Room Code **ANCRT**

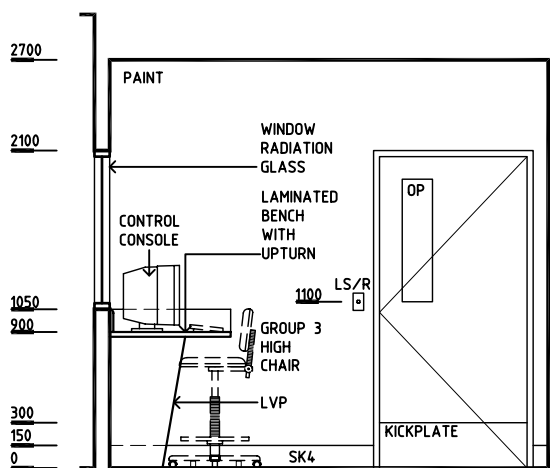
- AS ADJUSTABLE SHELF
- CAC CABLE ACCESS CAP
- COH COAT HOOK
- COM/2 COMMUNICATION OUTLET-DOUBLE
- GPO/2 GENERAL PURPOSE OUTLET-DOUBLE
- GPO/S SPECIAL POWER OUTLET - SINGLE
- LS/R LIGHT SWITCH - ROOM
- LS/P LIGHT SWITCH - PELMET
- LVP LAMINATED VERTICAL SUPPORT PANEL
- OP OBSERVATION PANEL
- PB PINBOARD
- SK4 FLOOR VINYL COVERED SKIRTING
- WB WHITEBOARD
- V1 VINYL FLOORING STANDARD



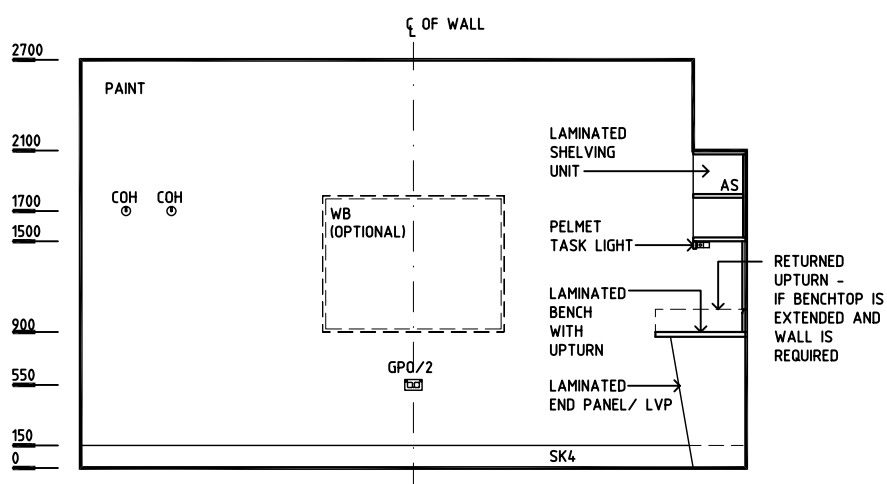
ELEVATION 1



ELEVATION 2



ELEVATION 3



ELEVATION 4

REV	DESCRIPTION	DATE	BY	REV	DESCRIPTION	DATE	BY	REV	DESCRIPTION	DATE	BY
1	FIRST ISSUE	11.7.05	HS								



HPI

DESIGNED	APPROVED	SCALE(S)	ZONE(S)
HS	DB	1:50 in A3	
CAD FILE NAME		PAPER DRAWING ID	
ANCRT		ANCRT	