

# AUSTRALASIAN HFG STANDARD COMPONENTS

Room Layout Sheet

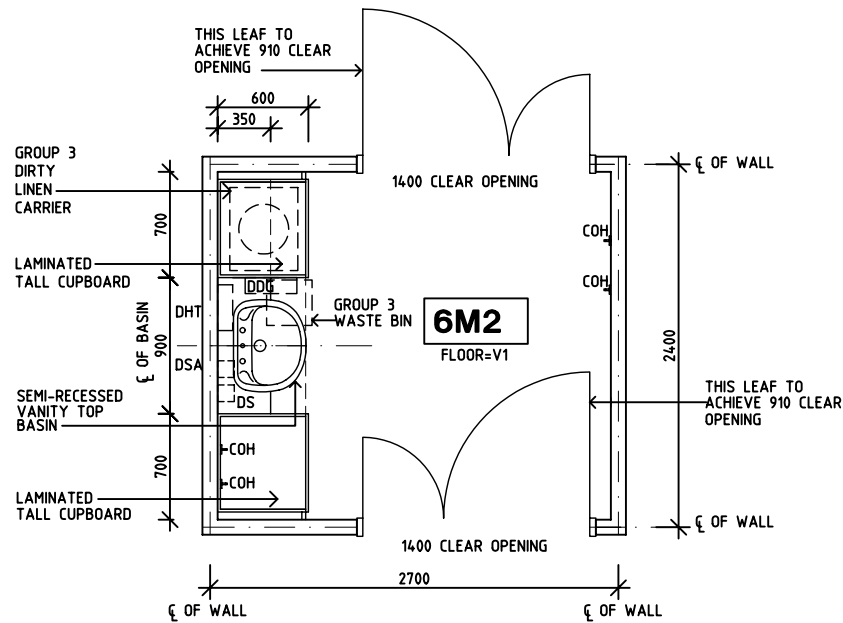
Room Name

Ante-Room

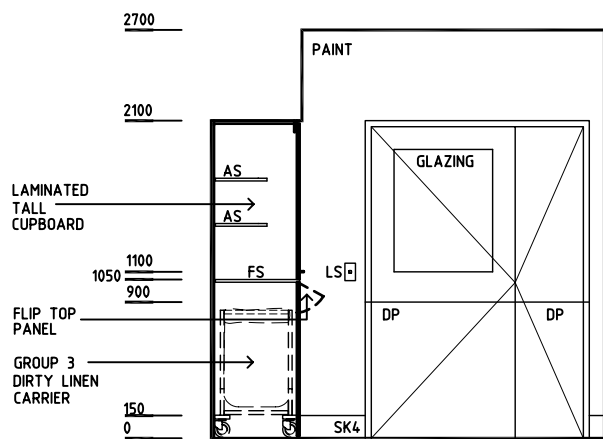
RLS Room Code ANRM

RDS Room Code ANRM

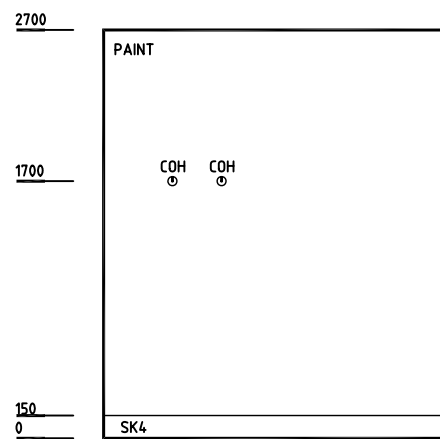
- AS ADJUSTABLE SHELF
- COH COAT HOOK
- DDG DISPENSER - DISPOSABLE GLOVES
- DHT DISPENSER - HAND TOWEL
- DS DISPENSER - SOAP
- DSA DISPENSER - SOAP ANTISEPTIC
- DP DOOR AND DOOR FRAME PROTECTION
- FS FIXED SHELF
- LS LIGHT SWITCH
- SK4 FLOOR VINYL COVERED SKIRTING
- V1 VINYL FLOORING, STANDARD



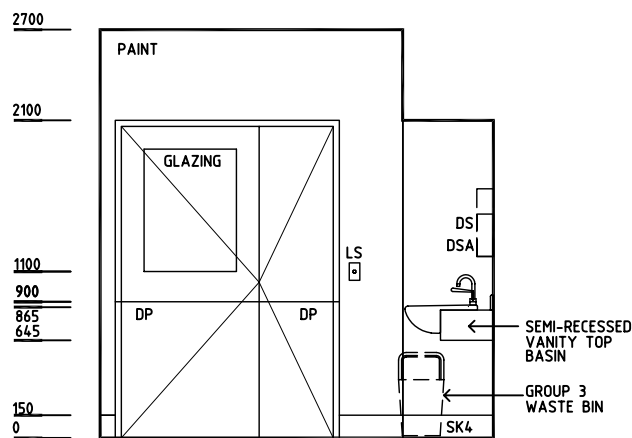
PLAN



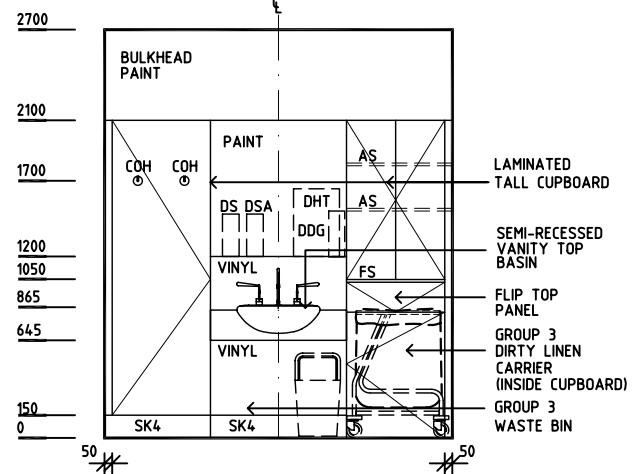
ELEVATION 1



ELEVATION 2



ELEVATION 3



ELEVATION 4

REV	DESCRIPTION	DATE	BY	REV	DESCRIPTION	DATE	BY	REV	DESCRIPTION	DATE	BY
1	FIRST ISSUE	2.12.03	HS								
2	GENERAL REVISIONS	10.5.05	BJ								
3	GENERAL REVISIONS INCL NAME CHANGE	17.5.05	AL								



HCAMC in association with UNSW

HPI

DESIGNED	APPROVED	SCALE(S)	ZONE(S)
HS/AL	DB	1:50 in A3	
CAD FILE NAME		PAPER DRAWING ID	
ANRM		ANRM	