

# AUSTRALASIAN HFG STANDARD COMPONENTS

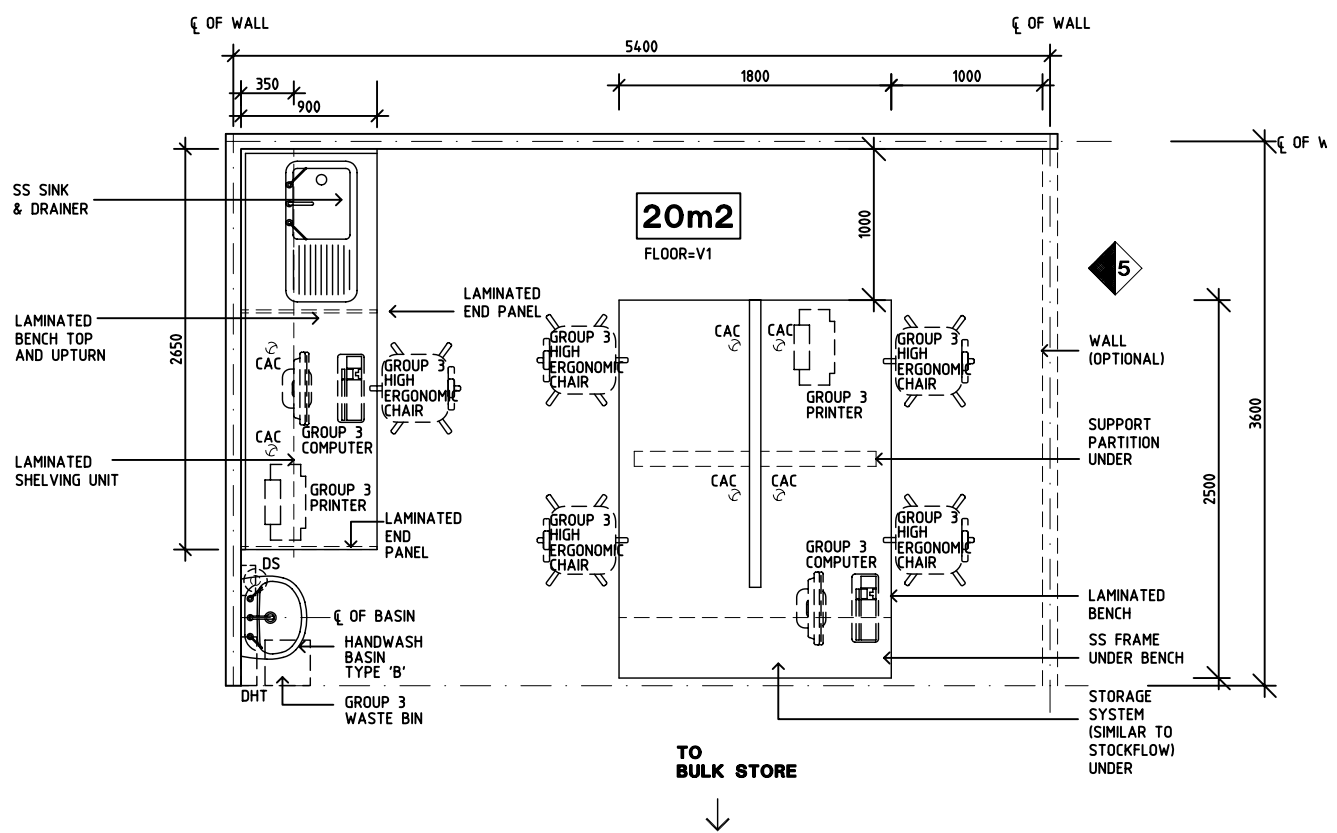
Room Layout Sheet

Room Name **Assembly / Preparation (Pharmacy), 20m2**

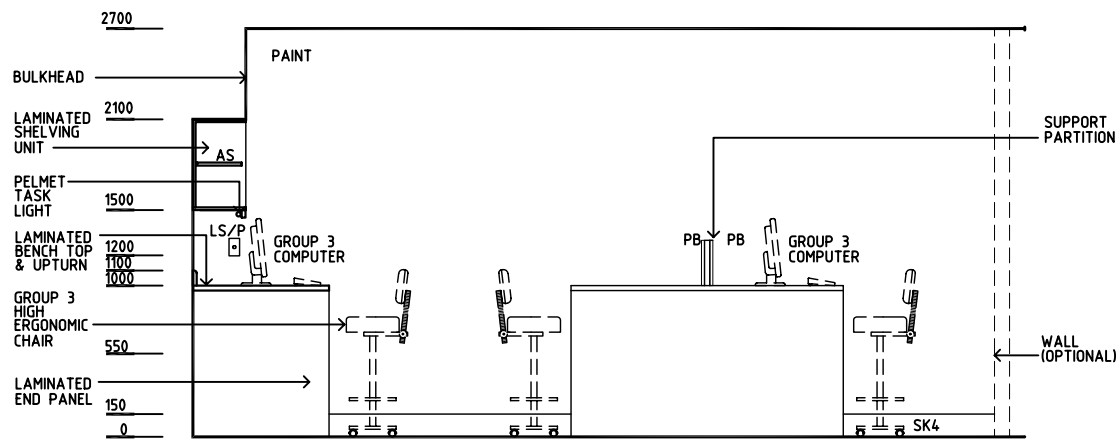
RLS Room Code **ASPR-20**

RDS Room Code **ASPR-20**

AS	ADJUSTABLE SHELVES
CAC	CABLE ACCESS CAP
COM/2	COMMUNICATION OUTLET - DOUBLE
DHT	DISPENSER - HAND TOWEL
DS	DISPENSER - SOAP
GPO/2	GENERAL PURPOSE OUTLET - DOUBLE
LS/P	LIGHT SWITCH - PELMET TASK LIGHT
LVP	LAMINATED VERTICAL SUPPORT PANEL
PB	PINBOARD
SK4	FLOOR VINYL COVED SKIRTING
SS	STAINLESS STEEL
V1	VINYL FLOORING, STANDARD



**PLAN**



**ELEVATION 1**

REV	DESCRIPTION	DATE	BY	REV	DESCRIPTION	DATE	BY	REV	DESCRIPTION	DATE	BY													
1	FIRST ISSUE	13.7.05	BJ																					
<table border="1" style="width:100%; border-collapse: collapse;"> <tr> <td rowspan="3" style="text-align: center; vertical-align: middle;"> </td> <td colspan="2" style="text-align: center; vertical-align: middle;"> <b>HCAMC</b> in association with  </td> <td style="text-align: center; vertical-align: middle;">HPI</td> <td style="text-align: center;">DESIGNED AL</td> <td style="text-align: center;">APPROVED DB</td> <td style="text-align: center;">SCALE(S) 1:50 in A3</td> <td style="text-align: center;">ZONE(S)</td> </tr> <tr> <td colspan="3"></td> <td colspan="2">CAD FILE NAME ASPR</td> <td colspan="2">PAPER DRAWING ID ASPR-20a</td> </tr> </table>											<b>HCAMC</b> in association with 		HPI	DESIGNED AL	APPROVED DB	SCALE(S) 1:50 in A3	ZONE(S)				CAD FILE NAME ASPR		PAPER DRAWING ID ASPR-20a	
	<b>HCAMC</b> in association with 		HPI	DESIGNED AL	APPROVED DB	SCALE(S) 1:50 in A3	ZONE(S)																	
				CAD FILE NAME ASPR		PAPER DRAWING ID ASPR-20a																		

# AUSTRALASIAN HFG STANDARD COMPONENTS

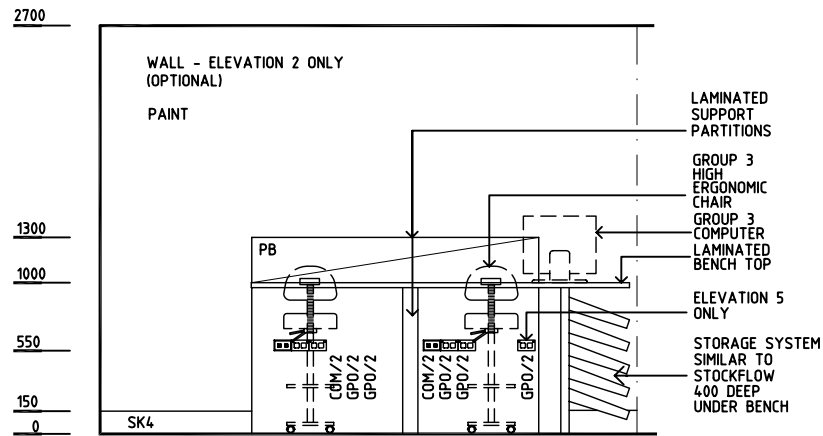
Room Layout Sheet

Room Name **Assembly / Preparation (Pharmacy), 20m2**

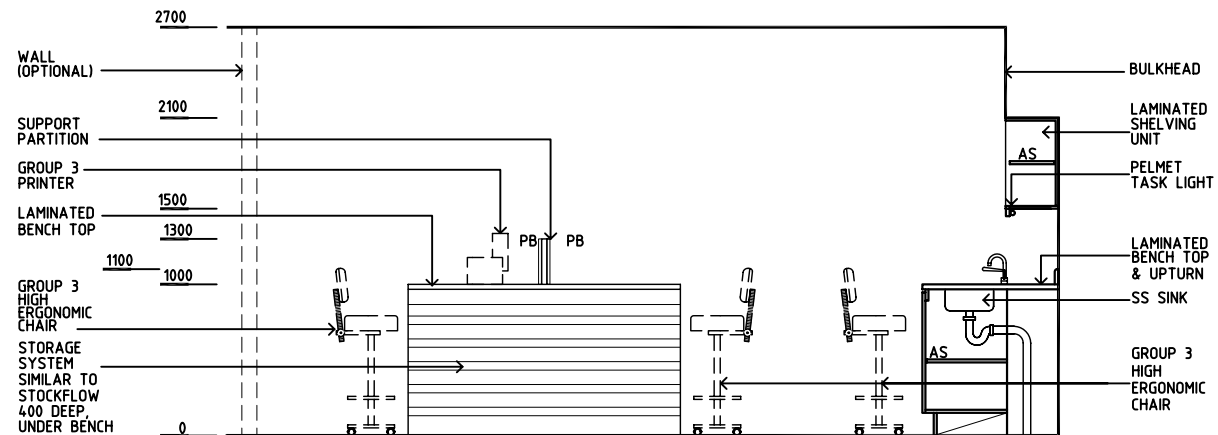
RLS Room Code **ASPR-20**

RDS Room Code **ASPR-20**

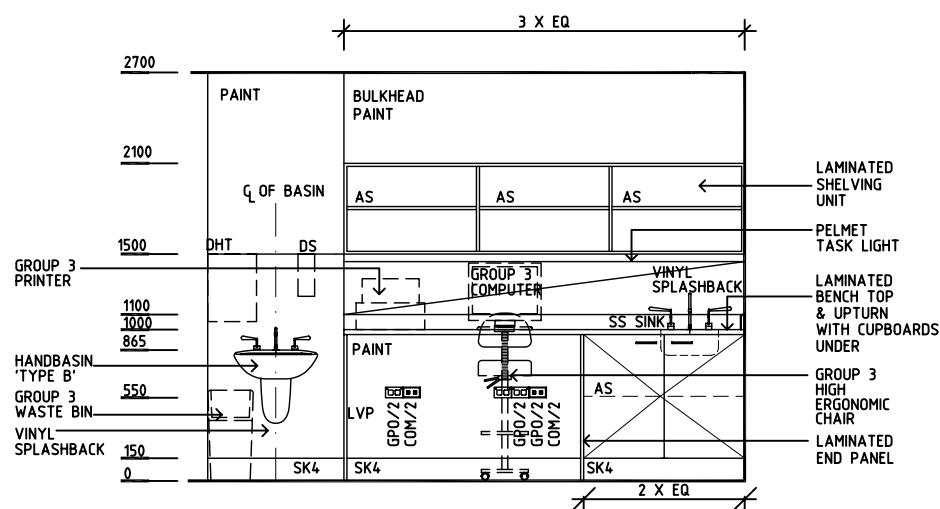
- AS ADJUSTABLE SHELVES
- CAC CABLE ACCESS CAP
- COM/2 COMMUNICATION OUTLET - DOUBLE
- DHT DISPENSER - HAND TOWEL
- DS DISPENSER - SOAP
- GPO/2 GENERAL PURPOSE OUTLET - DOUBLE
- LS/P LIGHT SWITCH - PELMET TASK LIGHT
- LVP LAMINATED VERTICAL SUPPORT PANEL
- PB PINBOARD
- SK4 FLOOR VINYL COVERED SKIRTING
- SS STAINLESS STEEL
- V1 VINYL FLOORING, STANDARD






**ELEVATION 2 + 5 SIMILAR (MIRRORED)**



**ELEVATION 3**



**ELEVATION 4**

REV	DESCRIPTION	DATE	BY	REV	DESCRIPTION	DATE	BY	REV	DESCRIPTION	DATE	BY		
1	FIRST ISSUE	13.7.05	BJ										
  										DESIGNED	APPROVED	SCALE(S)	ZONE(S)
										AL	DB	1:50 in A3	
										CAD FILE NAME		PAPER DRAWING ID	
										ASPR-20		ASPR-20b	