

# AUSTRALASIAN HFG STANDARD COMPONENTS

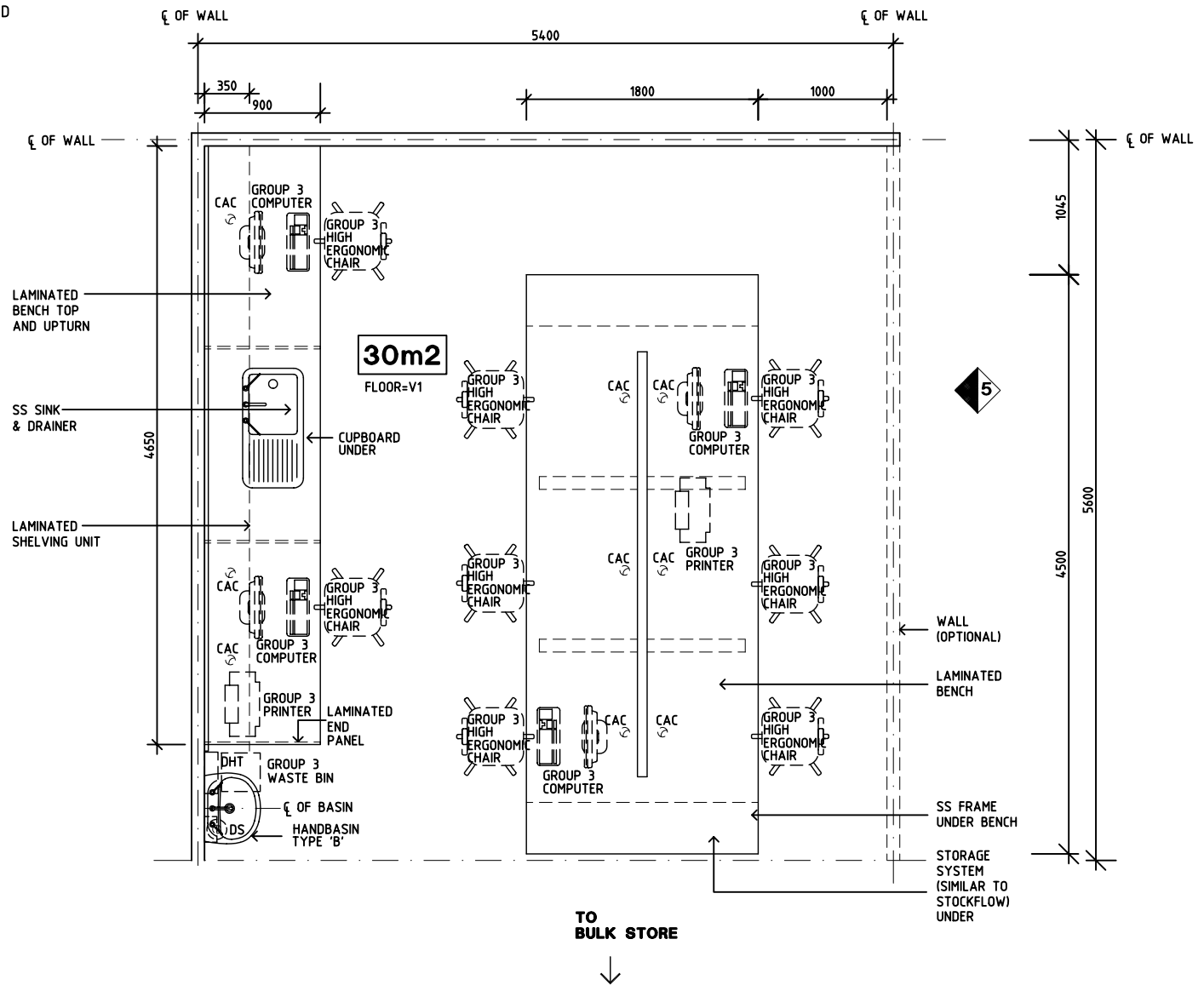
Room Layout Sheet

Room Name **Assembly / Preparation (Pharmacy), 30m2**

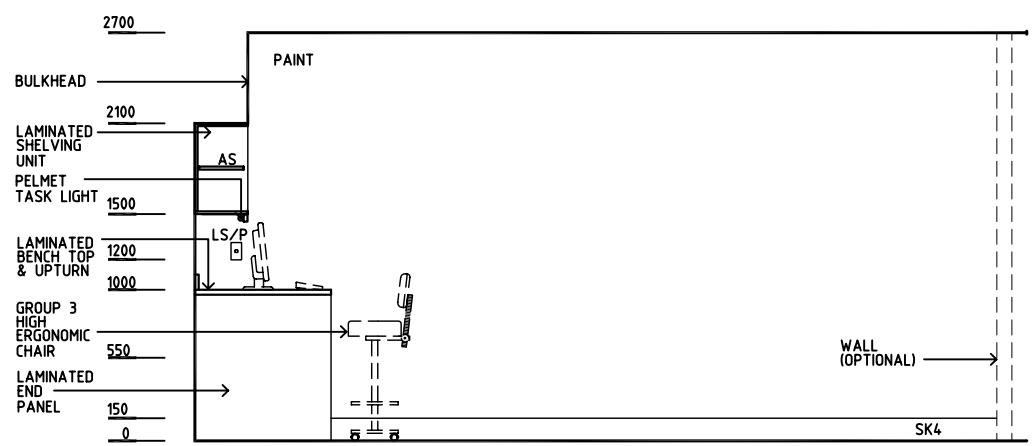
RLS Room Code **ASPR-30**

RDS Room Code **ASPR-30**

- AS ADJUSTABLE SHELVES
- CAC CABLE ACCESS CAP
- COM/2 COMMUNICATION OUTLET - DOUBLE
- DHT DISPENSER - HAND TOWEL
- DS DISPENSER - SOAP
- LS/P LIGHT SWITCH - PELMET TASK LIGHT
- PB PINBOARD
- SK4 FLOOR VINYL COVERED SKIRTING
- SS STAINLESS STEEL
- V1 VINYL FLOORING, STANDARD



**PLAN**



**ELEVATION 1**

REV	DESCRIPTION	DATE	BY	REV	DESCRIPTION	DATE	BY	REV	DESCRIPTION	DATE	BY
1	FIRST ISSUE	13.7.05	BJ								

	<b>HCAMC</b> in association with 	HPI	DESIGNED	APPROVED	SCALE(S)	ZONE(S)
			AA	DB	1:50 in A3	
			CAD FILE NAME ASPR-30		PAPER DRAWING ID ASPR-30a	

# AUSTRALASIAN HFG STANDARD COMPONENTS

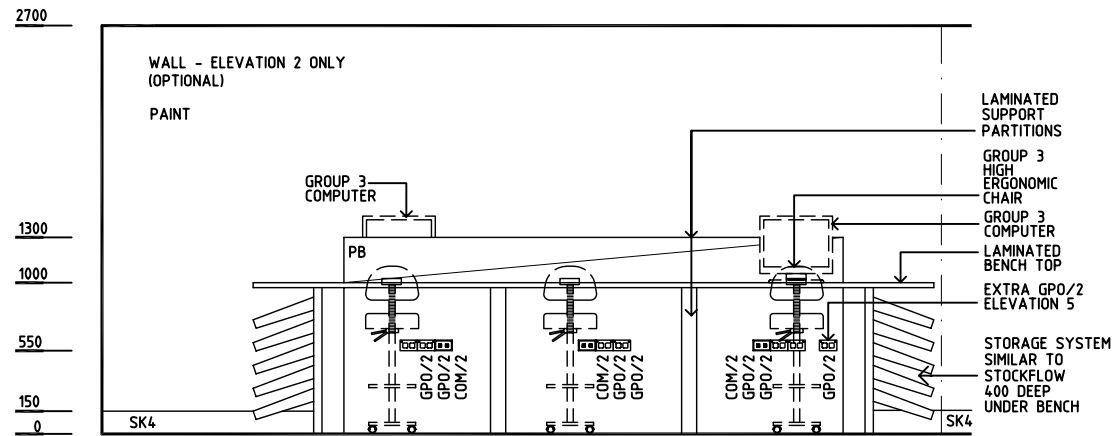
Room Layout Sheet

Room Name **Assembly / Preparation (Pharmacy), 30m<sup>2</sup>**

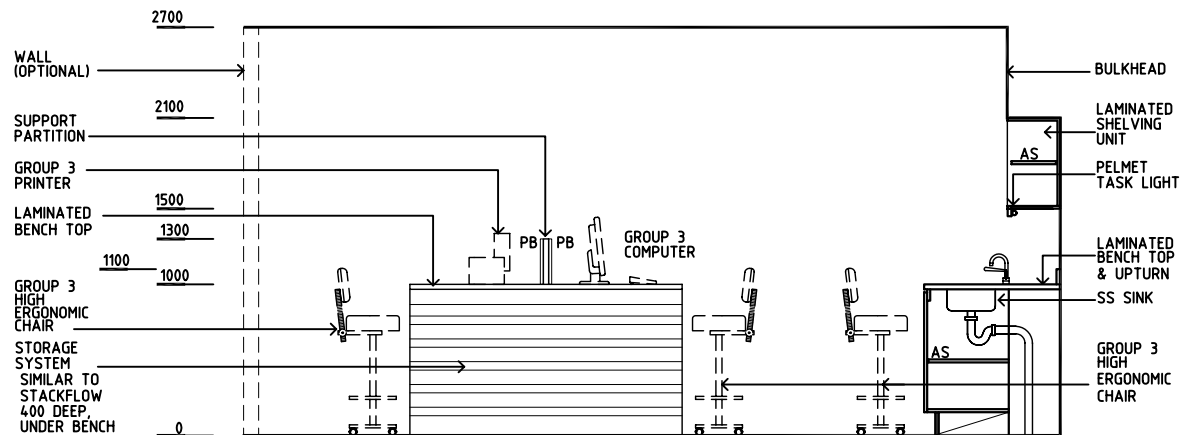
RLS Room Code **ASPR-30**

RDS Room Code **ASPR-30**

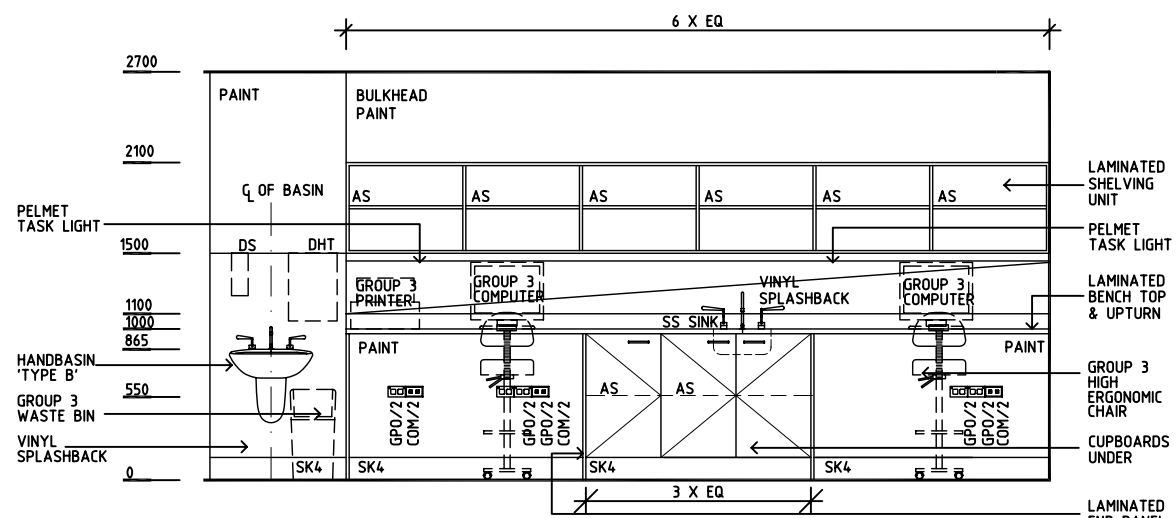
AS	ADJUSTABLE SHELVES
CAC	CABLE ACCESS CAP
COM/2	COMMUNICATION OUTLET - DOUBLE
DHT	DISPENSER - HAND TOWEL
DS	DISPENSER - SOAP
LS/P	LIGHT SWITCH - PELMET TASK LIGHT
PB	PINBOARD
SK4	FLOOR VINYL COVED SKIRTING
SS	STAINLESS STEEL
V1	VINYL FLOORING, STANDARD



**ELEVATION 2 + 5 SIMILAR (MIRRORED)**



**ELEVATION 3**



**ELEVATION 4**

REV	DESCRIPTION	DATE	BY	REV	DESCRIPTION	DATE	BY	REV	DESCRIPTION	DATE	BY																							
1	FIRST ISSUE	13.7.05	BJ																															
<table border="0" style="width: 100%;"> <tr> <td rowspan="3" style="text-align: center; vertical-align: middle;"> </td> <td colspan="3" style="text-align: center; vertical-align: middle;"> <b>HCAMC</b> in association with  </td> <td style="text-align: center; vertical-align: middle;">HPI</td> <td style="text-align: center; vertical-align: middle;">DESIGNED AA</td> <td style="text-align: center; vertical-align: middle;">APPROVED DB</td> <td style="text-align: center; vertical-align: middle;">SCALE(S) 1:50 in A3</td> <td style="text-align: center; vertical-align: middle;">ZONE(S)</td> </tr> <tr> <td colspan="4"></td> <td colspan="2" style="text-align: center; vertical-align: middle;">CAD FILE NAME ASPR-30</td> <td colspan="2" style="text-align: center; vertical-align: middle;">PAPER DRAWING ID ASPR-30b</td> </tr> <tr> <td colspan="8"></td> </tr> </table>											<b>HCAMC</b> in association with 			HPI	DESIGNED AA	APPROVED DB	SCALE(S) 1:50 in A3	ZONE(S)					CAD FILE NAME ASPR-30		PAPER DRAWING ID ASPR-30b									
	<b>HCAMC</b> in association with 			HPI	DESIGNED AA	APPROVED DB	SCALE(S) 1:50 in A3	ZONE(S)																										
					CAD FILE NAME ASPR-30		PAPER DRAWING ID ASPR-30b																											