

AUSTRALASIAN HFG STANDARD COMPONENTS

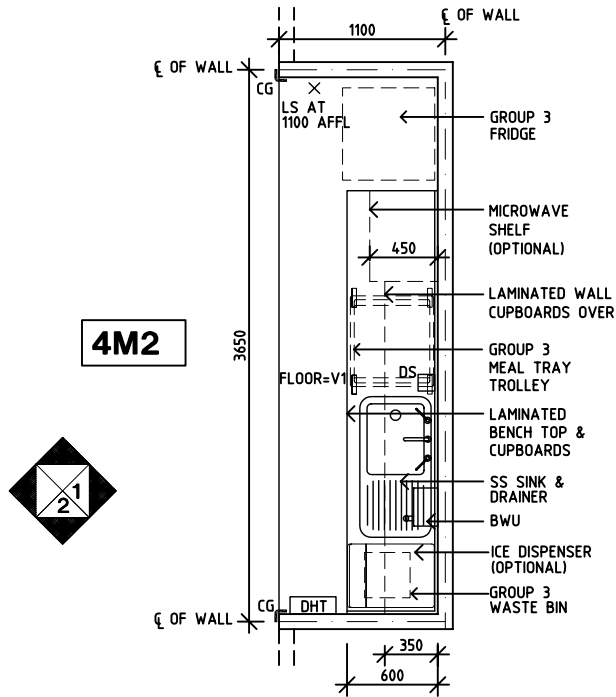
Room Layout Sheet

Room Name **Bay - Beverage, Open Plan**

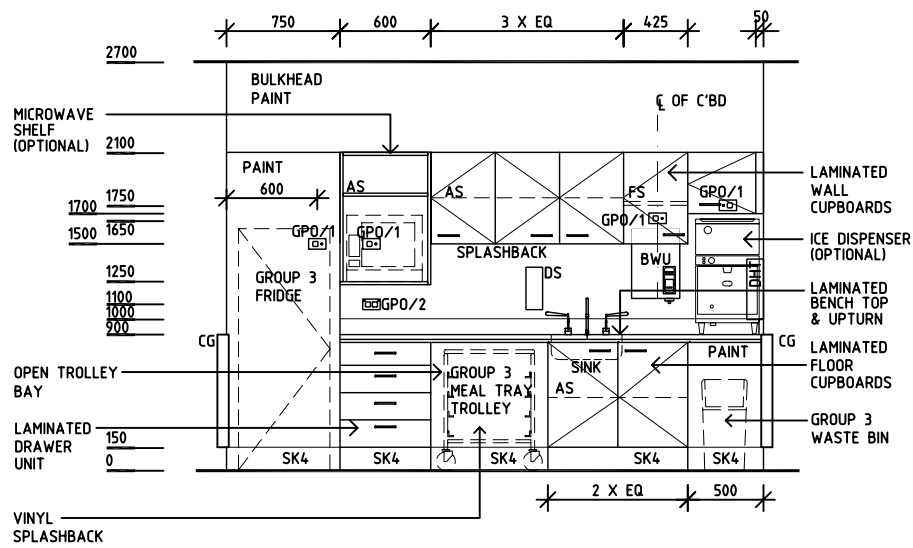
RLS Room Code **BBEV-OP**

RDS Room Code **BBEV-OP**

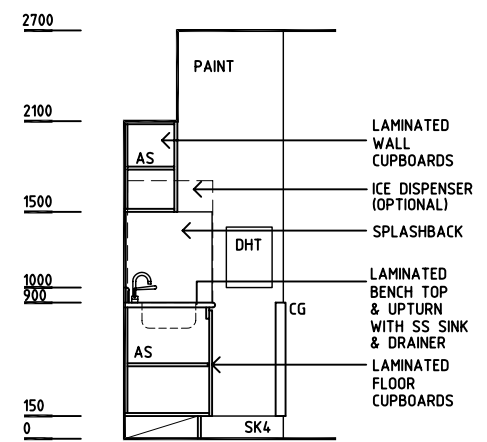
- AS ADJUSTABLE SHELF
- BWU BOILING WATER UNIT
- CG CORNER GUARDS
- DHT DISPENSER - HAND TOWEL
- DS DISPENSER - SOAP
- FS FIXED SHELF
- GPO/1 GENERAL PURPOSE OUTLET - SINGLE
- GPO/2 GENERAL PURPOSE OUTLET - DOUBLE
- LS LIGHT SWITCH
- SK4 FLOOR VINYL COVERED SKIRTING
- SS STAINLESS STEEL
- V1 VINYL FLOORING, STANDARD



PLAN



ELEVATION 1



ELEVATION 2

REV	DESCRIPTION	DATE	BY	REV	DESCRIPTION	DATE	BY	REV	DESCRIPTION	DATE	BY
1	FIRST ISSUE	4.11.03	HS	4	2008 AUS HFG REVIEW, GENERAL REVISIONS	10.12.08	MT				
2	GENERAL REVISION	4.5.05	JMH								
3	GENERAL REVISION	17.5.05	AL								



DESIGNED	APPROVED	SCALE(S)	ZONE(S)
JMH/BJ/AL	DB	150 in A3	
CAD FILE NAME BBEV-OP		PAPER DRAWING ID BBEV-OP	

This document is for advisory purpose only