

AUSTRALASIAN HFG STANDARD COMPONENTS

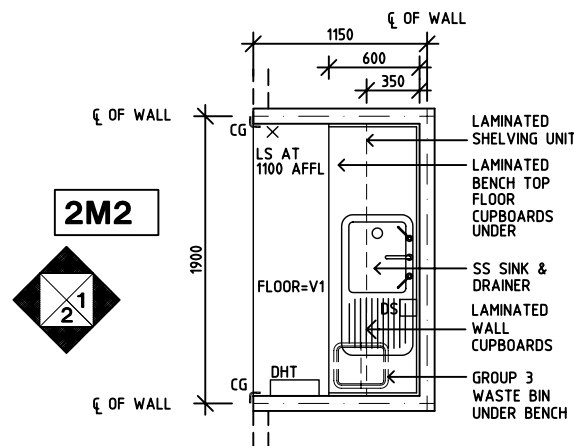
Room Layout Sheet

Room Name **Bay - Flowers, Open Plan**

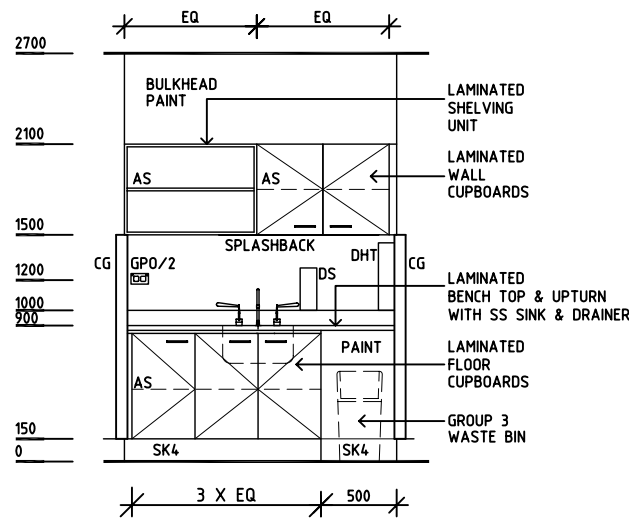
RLS Room Code **BFLW-OP**

RDS Room Code **BFLW-OP**

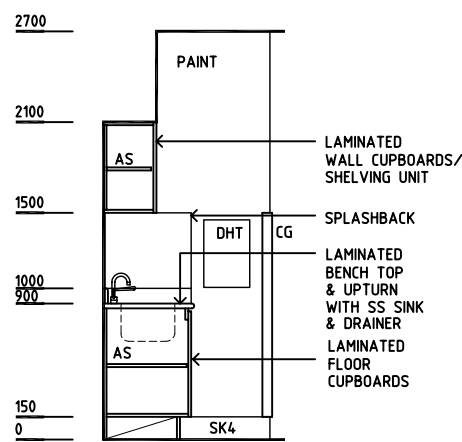
- AS ADJUSTABLE SHELF
- CG CORNER GUARDS
- DHT DISPENSER - HAND TOWEL
- DP DOOR AND FRAME PROTECTION
- DS DISPENSER - SOAP
- GPO/2 GENERAL PURPOSE OUTLET-DOUBLE
- LS LIGHT SWITCH
- SK4 FLOOR VINYL COVERED
- SS STAINLESS STEEL
- V1 VINYL FLOORING, STANDARD



PLAN



ELEVATION 1



ELEVATION 2

REV	DESCRIPTION	DATE	BY	REV	DESCRIPTION	DATE	BY	REV	DESCRIPTION	DATE	BY
1	FIRST ISSUE	31.10.03	HS	4	2008 AUS HFG REVIEW, GENERAL REVISIONS	10.12.08	MT				
2	GENERAL REVISIONS INCL NAME CHANGE	4.5.05	AL								
3	GENERAL REVISIONS	9.6.05	JMH								



DESIGNED	APPROVED	SCALE(S)	ZONE(S)
HS/AL/JMH	DB	150 in A3	
CAD FILE NAME BFLW-OP		PAPER DRAWING ID BFLW-OP	