

AUSTRALASIAN HFG STANDARD COMPONENTS

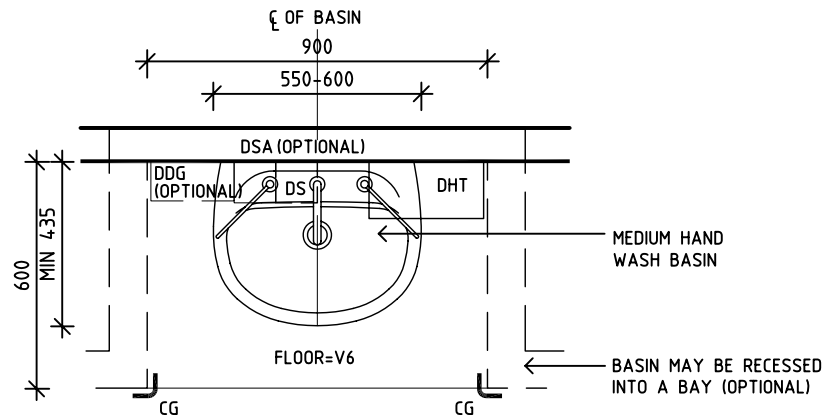
Room Layout Sheet

Room Name **Bay - Handwashing, Type B**

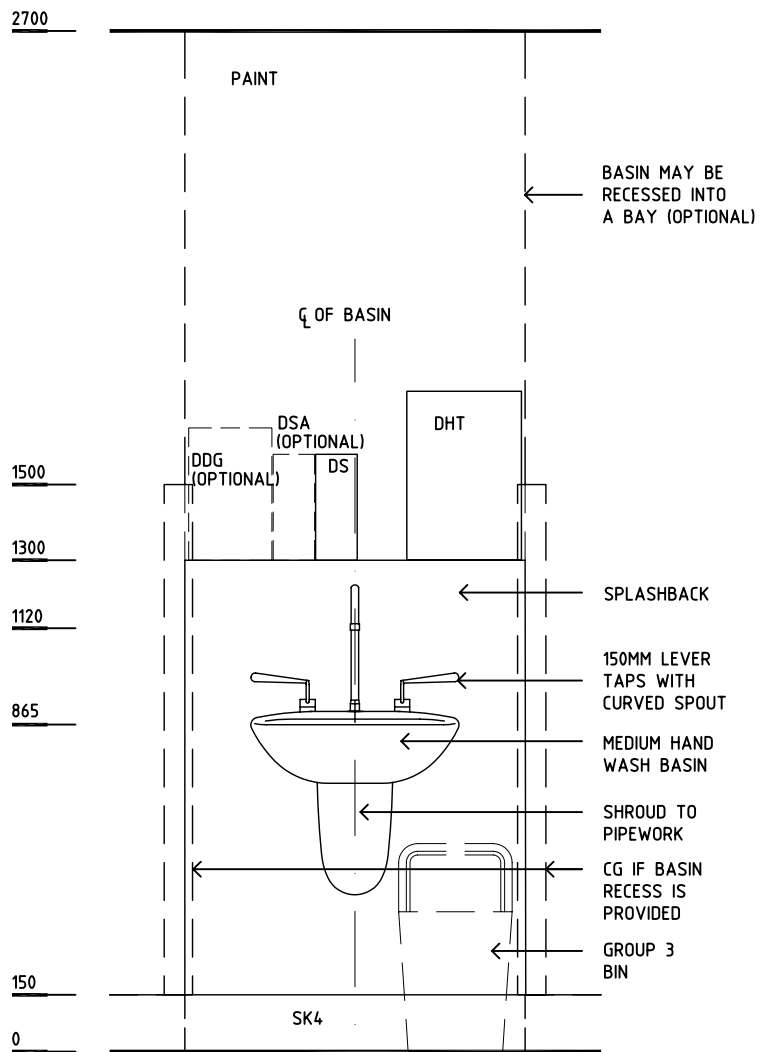
RLS Room Code **BHWS-Ba**

RDS Room Code **BHWS-Ba**

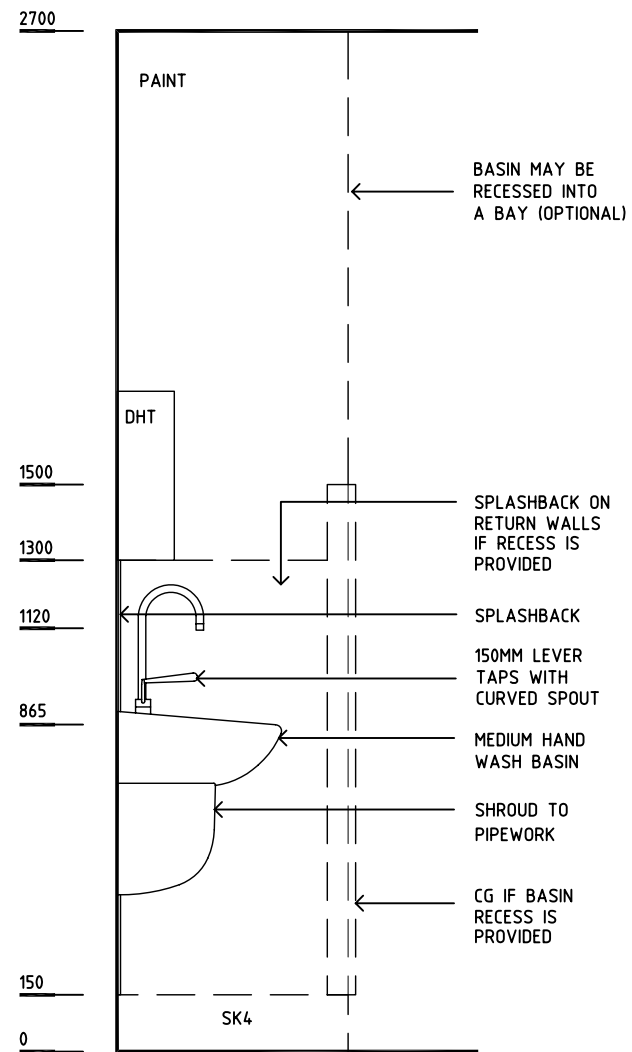
- CG CORNER GUARD
- DDG DISPENSER- DISPOSABLE GLOVE
- DHT DISPENSER- HAND TOWEL
- DS DISPENSER- SOAP
- DSA DISPENSER- SOAP ANTISEPTIC (OPTIONAL)
- SK4 FLOOR VINYL COVERED SKIRTING
- V6 VINYL FLOORING - TEXTURED



TYPE B - CLINICAL BASIN (MEDIUM) OPTION 1 PLAN



ELEVATION 1



ELEVATION 2

REV	DESCRIPTION	DATE	BY	REV	DESCRIPTION	DATE	BY	REV	DESCRIPTION	DATE	BY
1	FIRST ISSUE	21.10.03	CC								
2	GENERAL REVISION INCL NAME CHANGE	22.2.05	AL								
3	2008 AUS HFG REVIEW, GENERAL REVISIONS	10.12.08	CX								

Australasian HFG

AHIA in association with
UNSW



DESIGNED	APPROVED	SCALE(S)	ZONE(S)
CC	DB	1:20 in A3	
CAD FILE NAME BHWS-B		PAPER DRAWING ID BHWS-Ba	

This document is for advisory purpose only

AUSTRALASIAN HFG STANDARD COMPONENTS

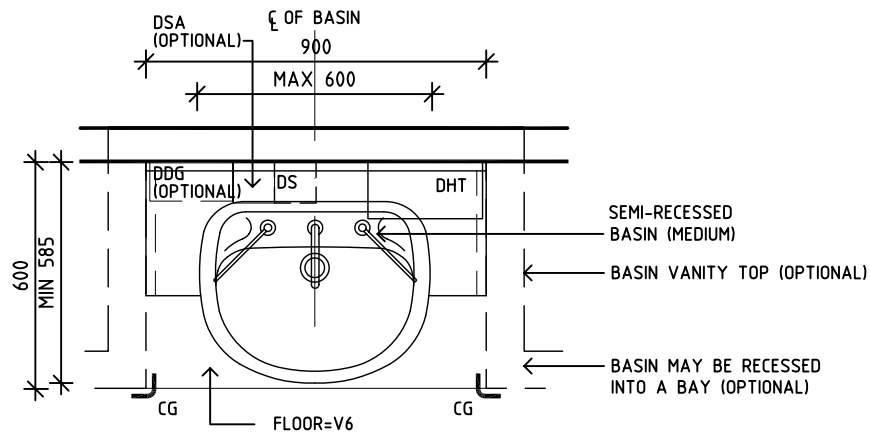
Room Layout Sheet

Room Name **Bay - Handwashing, Type B**

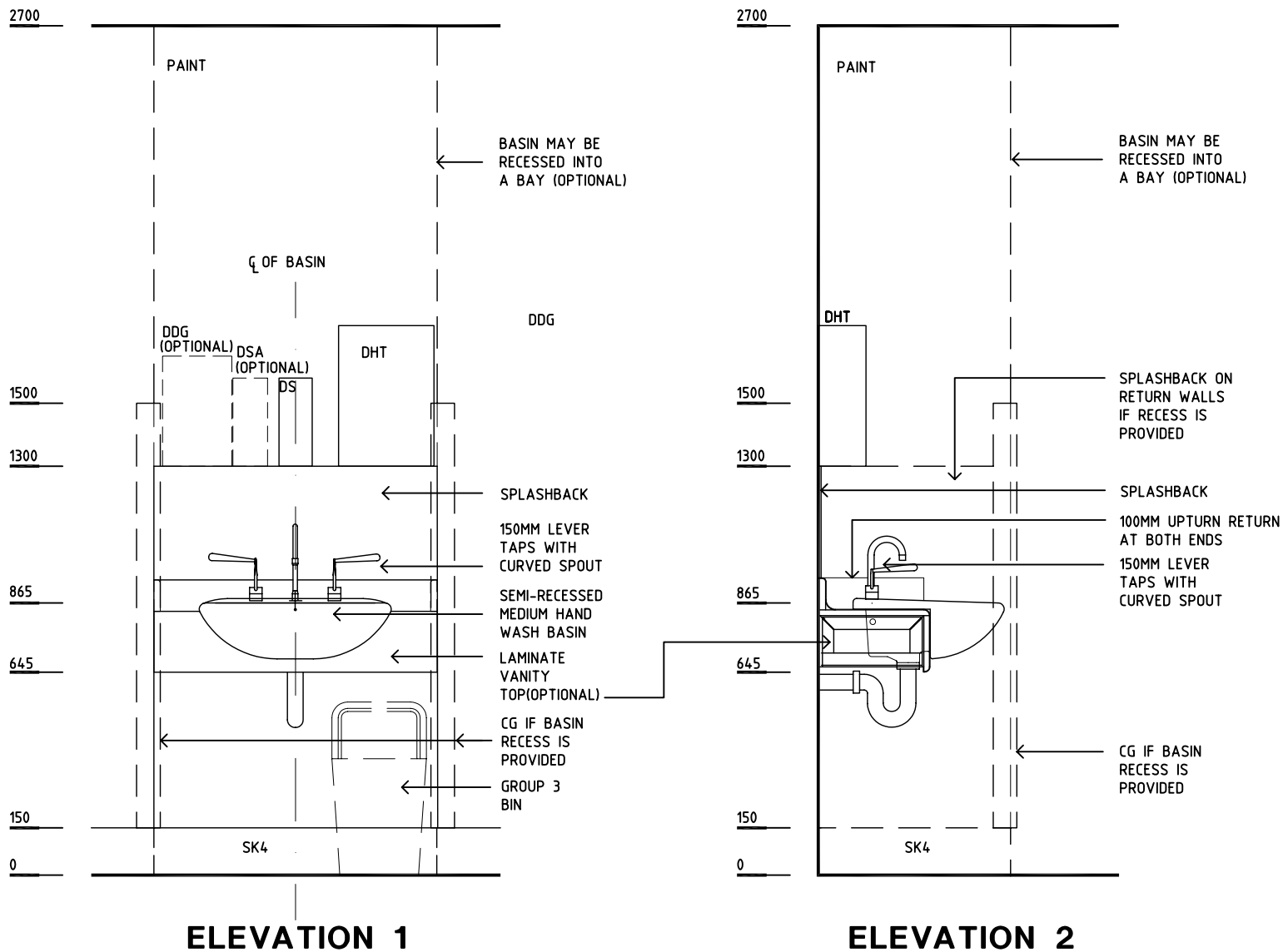
RLS Room Code **BHWS-Bb**

RDS Room Code **BHWS-Bb**

- CG CORNER GUARD
- DDG DISPENSER- DISPOSABLE GLOVE
- DHT DISPENSER- HAND TOWEL
- DS DISPENSER- SOAP
- DSA DISPENSER- SOAP ANTISEPTIC (OPTIONAL)
- SK4 FLOOR VINYL COVERED SKIRTING
- V6 VINYL FLOORING - TEXTURED



BASIN (MEDIUM) SEMI RECESSED - OPTION 2 PLAN



REV	DESCRIPTION	DATE	BY	REV	DESCRIPTION	DATE	BY	REV	DESCRIPTION	DATE	BY
1	FIRST ISSUE	9.6.05	AL								
2	2008 AUS HFG REVIEW, GENERAL REVISIONS	10.12.08	CX								

Australasian HFG

AHIA in association with **UNSW**



DESIGNED	APPROVED	SCALE(S)	ZONE(S)
CC	DB	1:20 in A3	
CAD FILE NAME BHWS-B		PAPER DRAWING ID BHWS-Bb	

AUSTRALASIAN HFG STANDARD COMPONENTS

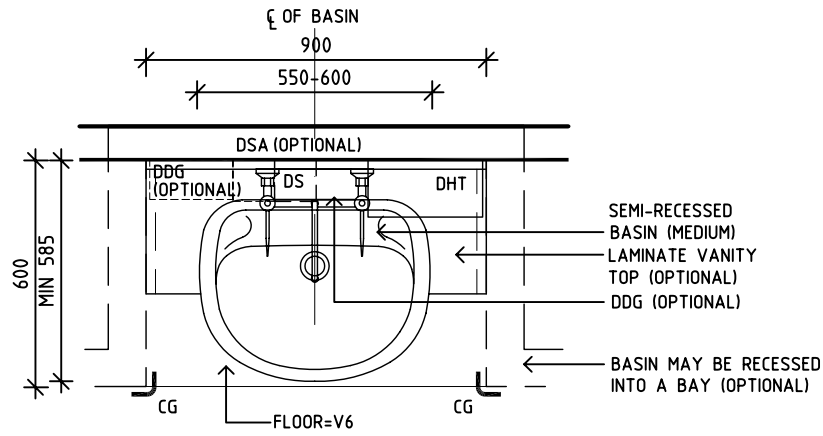
Room Layout Sheet

Room Name **Bay - Handwashing, Type B**

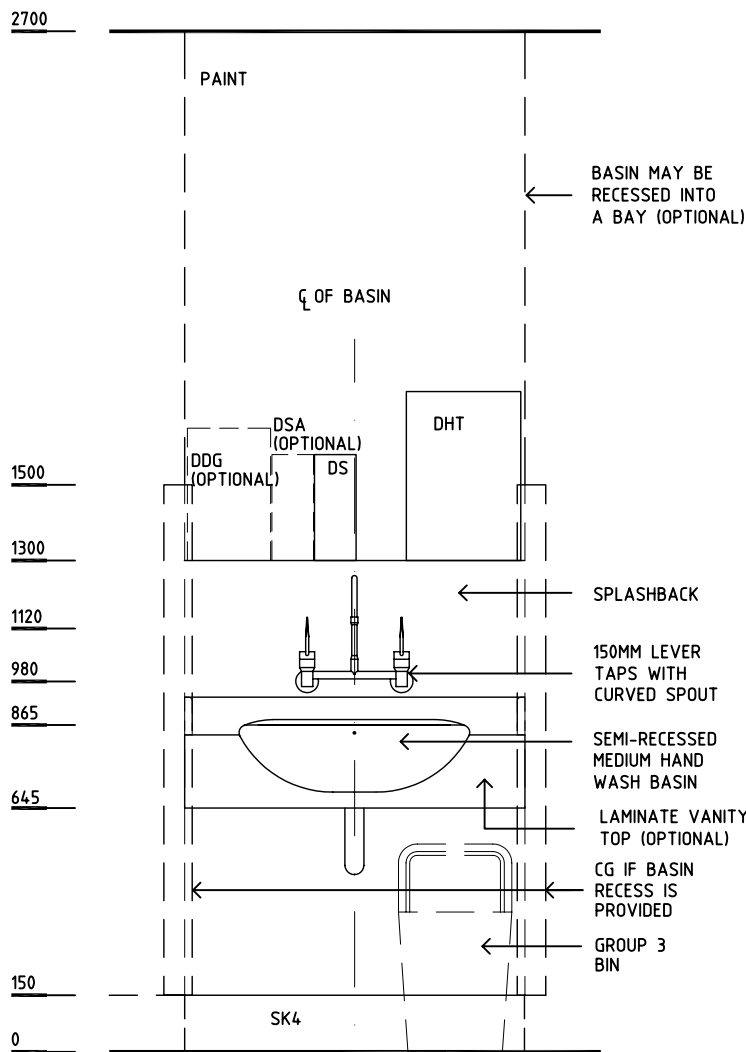
RLS Room Code **BHWS-Bc**

RDS Room Code **BHWS-Bc**

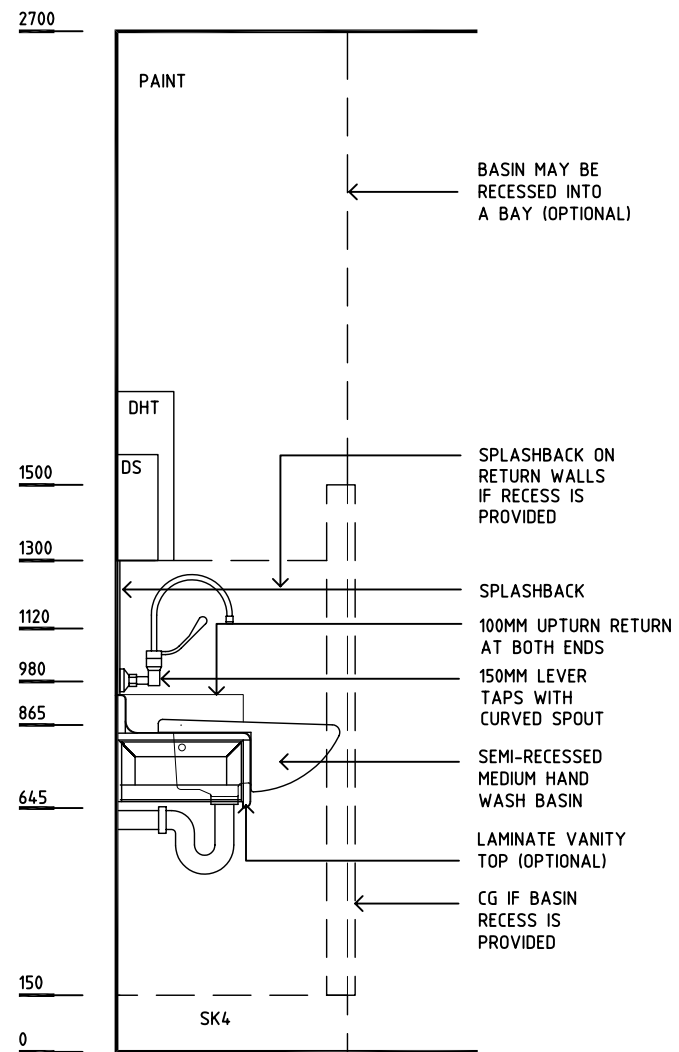
- CG CORNER GUARD
- DDG DISPENSER- DISPOSABLE GLOVE
- DHT DISPENSER- HAND TOWEL
- DS DISPENSER- SOAP
- DSA DISPENSER- SOAP ANTISEPTIC (OPTIONAL)
- PPE PERSONAL PROTECTIVE EQUIPMENT
- SK4 FLOOR VINYL COVERED SKIRTING
- V6 VINYL FLOORING - TEXTURED



BASIN (MEDIUM) SEMI RECESSED - OPTION 3 PLAN



ELEVATION 1



ELEVATION 2

REV	DESCRIPTION	DATE	BY	REV	DESCRIPTION	DATE	BY	REV	DESCRIPTION	DATE	BY
1	FIRST ISSUE	9.6.05	AL								
2	2008 AUS HFG REVIEW, GENERAL REVISIONS	10.12.08	CX								



DESIGNED	APPROVED	SCALE(S)	ZONE(S)
CC	DB	1:20 in A3	
CAD FILE NAME BHWS-B		PAPER DRAWING ID BHWS-Bc	

AUSTRALASIAN HFG STANDARD COMPONENTS

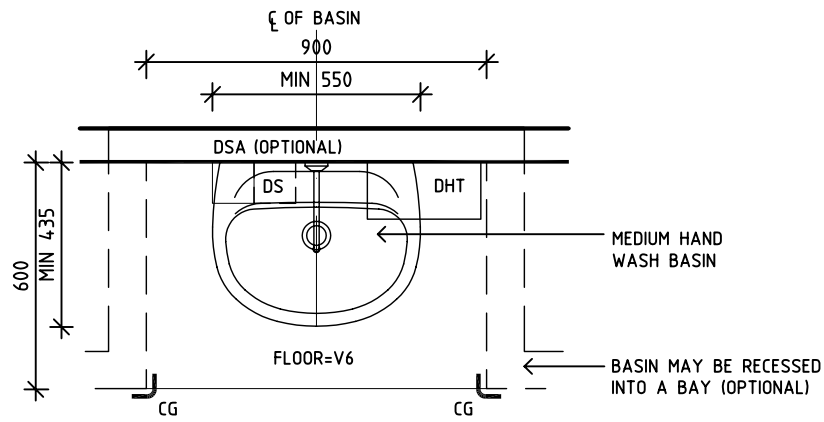
Room Layout Sheet

Room Name **Bay - Handwashing, Type B**

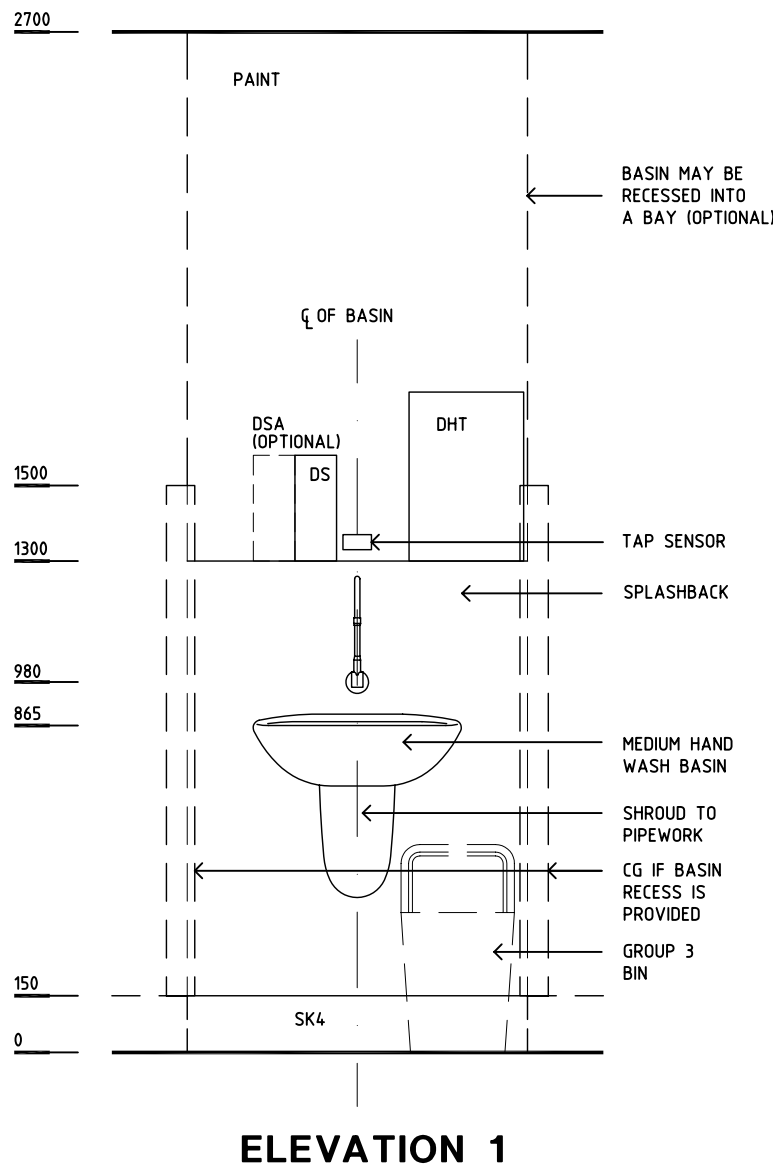
RLS Room Code **BHWS-Bd**

RDS Room Code **BHWS-Bd**

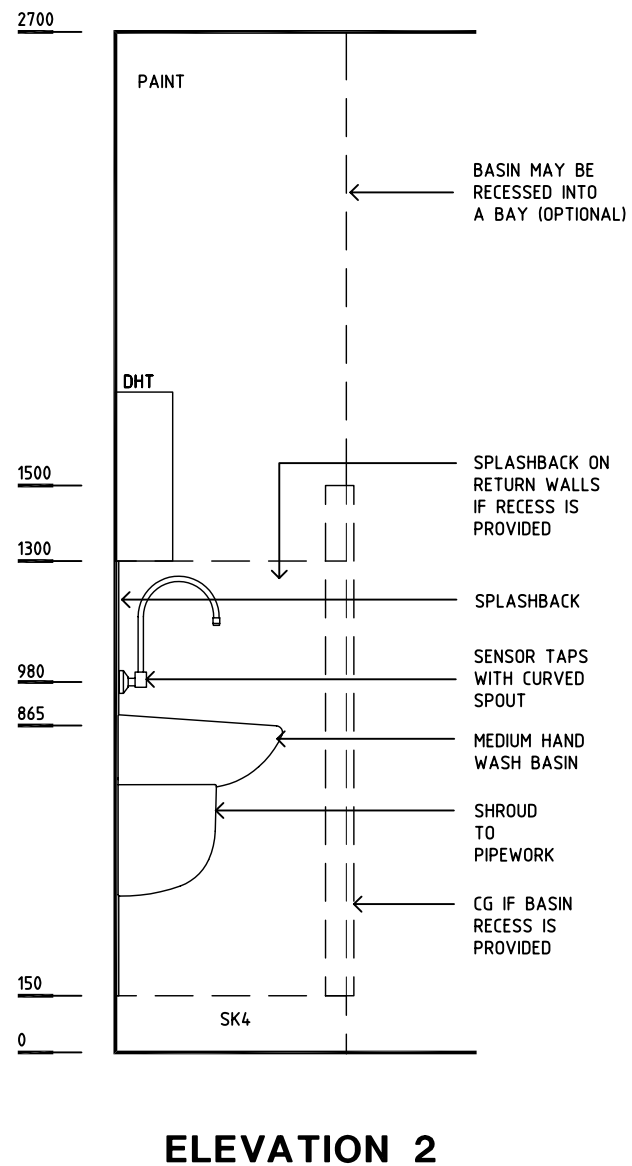
- CG CORNER GUARD
- DHT DISPENSER- HAND TOWEL
- DS DISPENSER- SOAP
- DSA DISPENSER- SOAP ANTISEPTIC (OPTIONAL)
- SK4 FLOOR VINYL COVED SKIRTING
- V6 VINYL FLOORING - TEXTURED



BASIN (MEDIUM) - OPTION 4 PLAN



ELEVATION 1



ELEVATION 2

REV	DESCRIPTION	DATE	BY	REV	DESCRIPTION	DATE	BY	REV	DESCRIPTION	DATE	BY
1	FIRST ISSUE	7.7.05	AL								
2	2008 AUS HFG REVIEW, GENERAL REVISIONS	10.12.08	CX								

			DESIGNED	APPROVED	SCALE(S)	ZONE(S)
			CC	DB	1:20 in A3	
CAD FILE NAME			PAPER DRAWING ID			
BHWS-B			BHWS-Bd			

This document is for advisory purpose only