

AUSTRALASIAN HFG STANDARD COMPONENTS

Room Layout Sheet

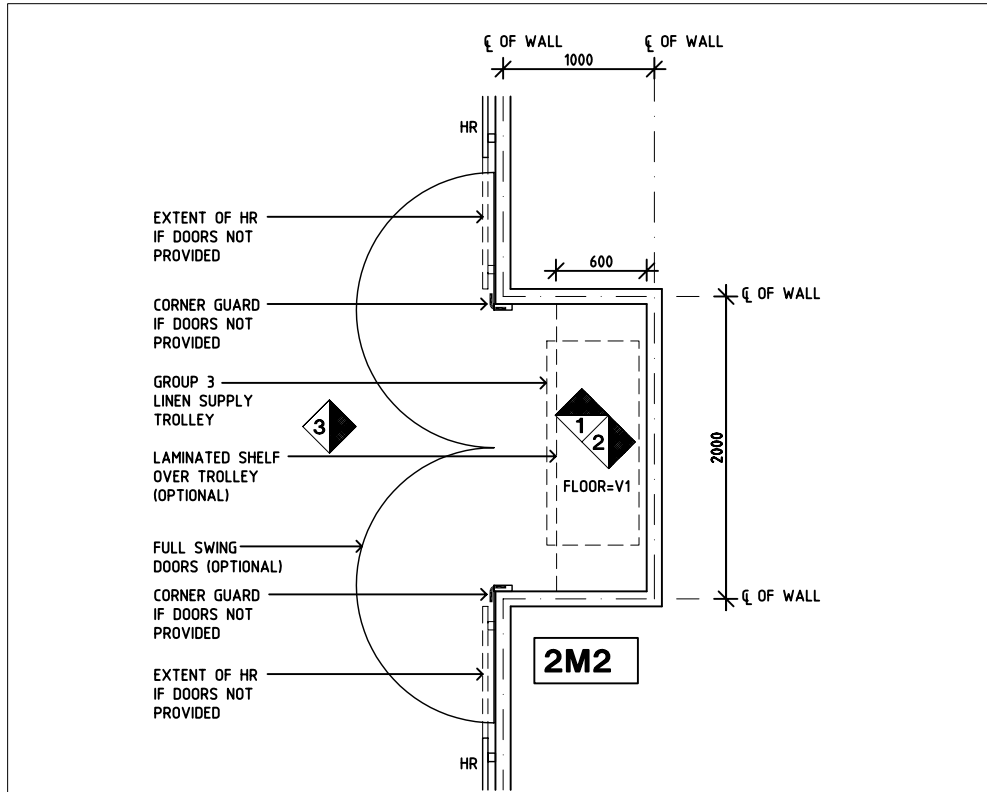
Room Name **Bay - Linen**

RLS Room Code **BLIN**

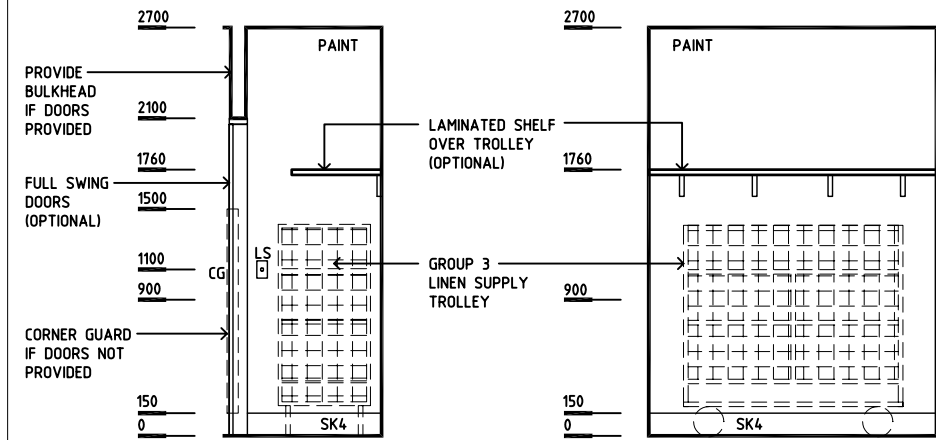
RDS Room Code **BLIN**

- CG CORNER GUARD
- CR CRASH RAIL
- HR HANDRAIL
- LS LIGHT SWITCH
- SK4 FLOOR VINYL COVERED SKIRTING
- V1 VINYL FLOORING, STANDARD

OPTION 1

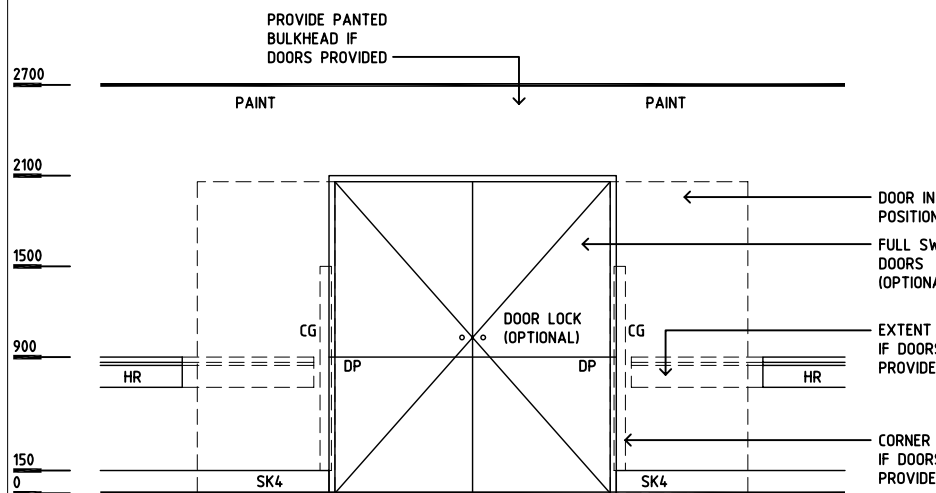


PLAN



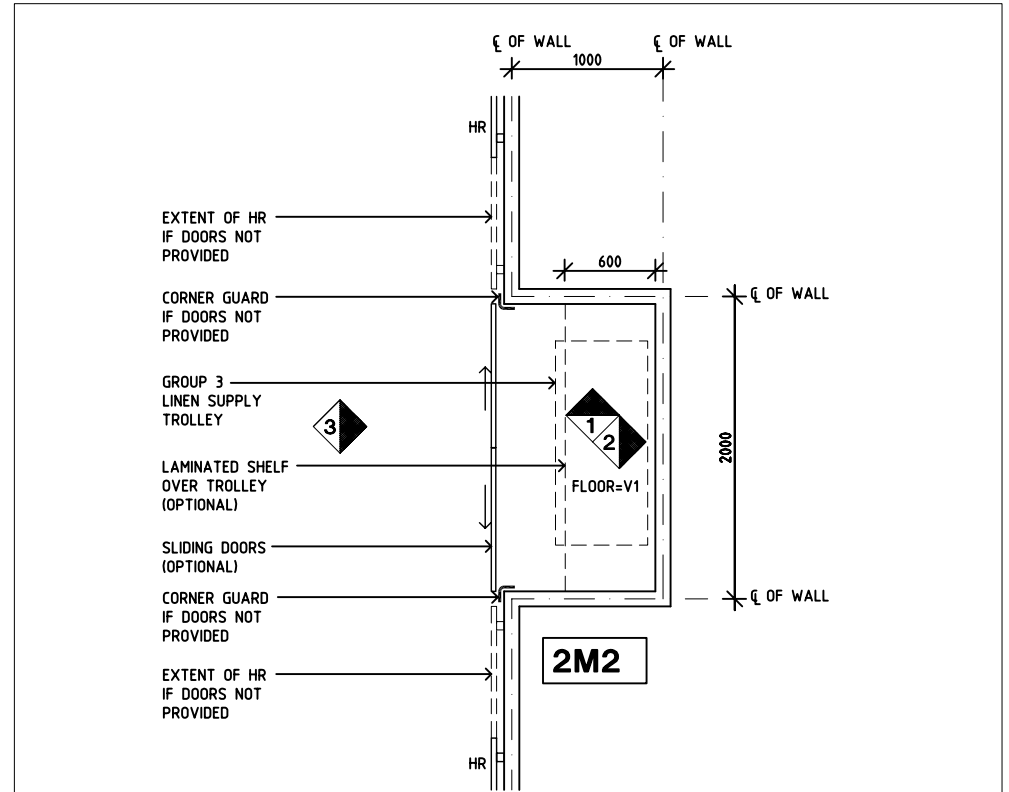
ELEVATION 1

ELEVATION 2

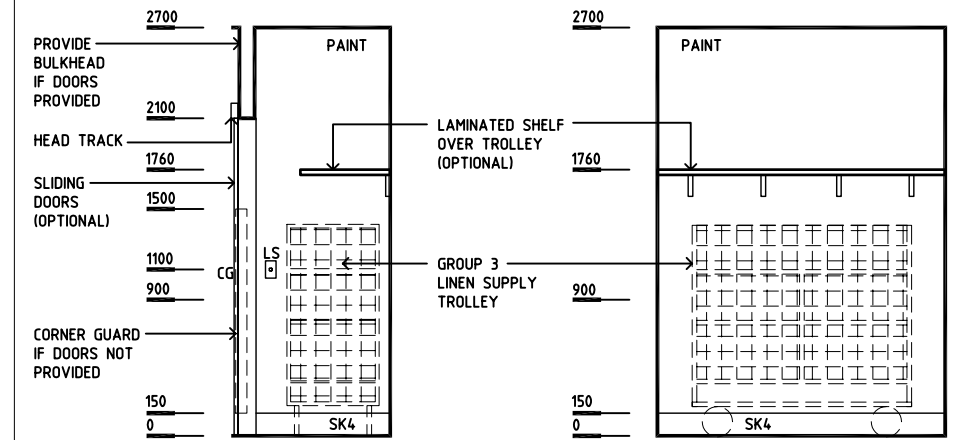


ELEVATION 3

OPTION 2

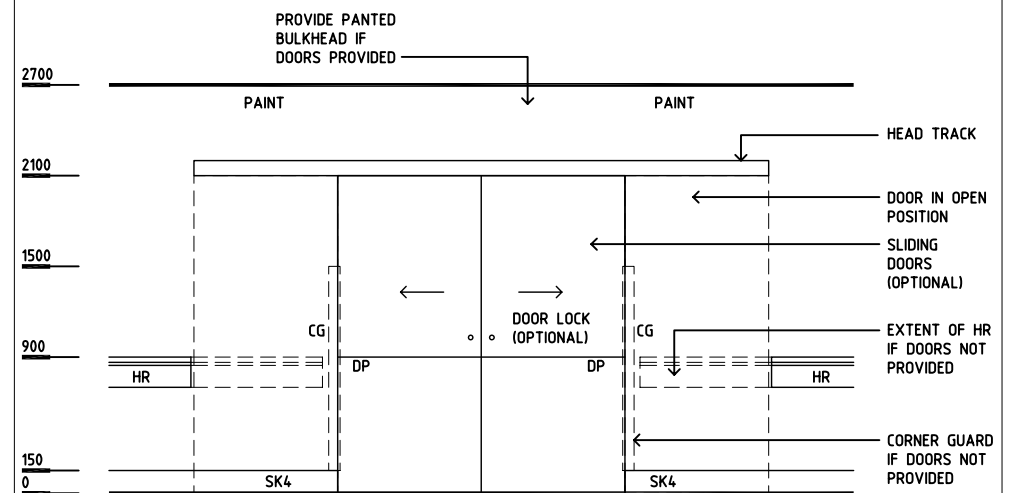


PLAN



ELEVATION 1

ELEVATION 2



ELEVATION 3

REV	DESCRIPTION	DATE	BY	REV	DESCRIPTION	DATE	BY	REV	DESCRIPTION	DATE	BY
1	FIRST ISSUE	30.10.03	CC								
2	DRAWING UPDATED	31.5.05	JMH								
3	2008 AUS HFG REVIEW, GENERAL REVISION	10.12.08	CX								



DESIGNED	APPROVED	SCALE(S)	ZONE(S)
CC	DB	150 in A3	
CAD FILE NAME		PAPER DRAWING ID	
BLIN		BLIN	