

AUSTRALASIAN HFG STANDARD COMPONENTS

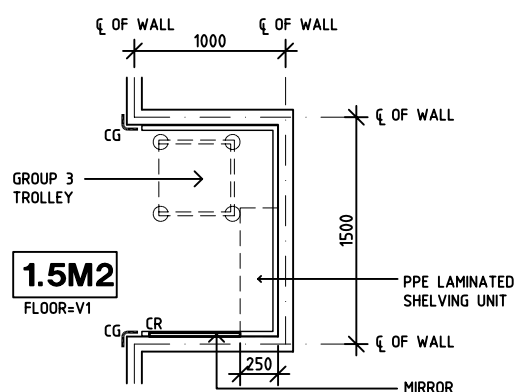
Room Layout Sheet

Room Name **Bay - Personal Protective Equipment**

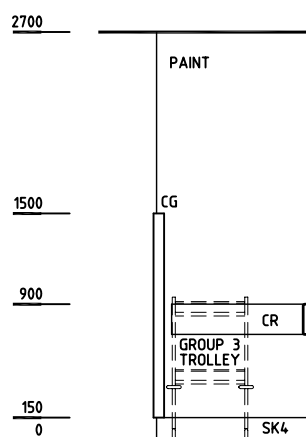
RLS Room Code **BPPE**

RDS Room Code **BPPE**

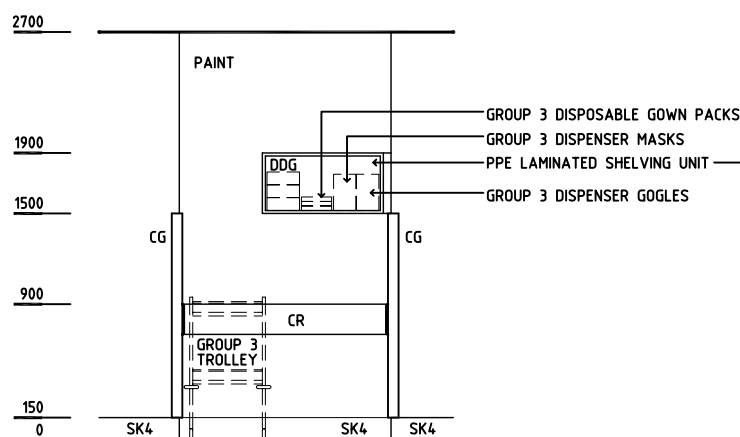
- CG CORNER GUARD
- CR CRASH RAIL
- DDG DISPENSER - DISPOSABLE GLOVE
- SK4 FLOOR VINYL COVERED SKIRTING
- V1 VINYL FLOORING, STANDARD



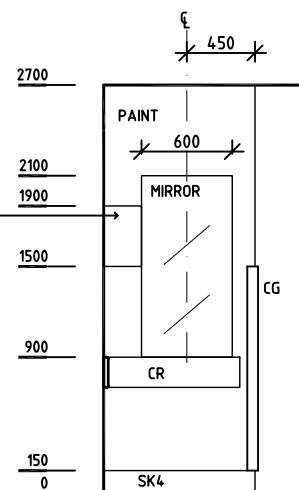
PLAN



ELEVATION 1



ELEVATION 2



ELEVATION 3

REV	DESCRIPTION	DATE	BY	REV	DESCRIPTION	DATE	BY	REV	DESCRIPTION	DATE	BY
1	FIRST ISSUE	30.10.03	CC	4	2008 AUS HFG REVIEW, GENERAL REVISIONS	10.12.08	CT				
2	GENERAL REVISIONS	4.5.05	BJ								
3	GENERAL REVISIONS	13.5.05	AL								



DESIGNED	APPROVED	SCALE(S)	ZONE(S)
CC/BJ	DB	150 in A3	
CAD FILE NAME BPPE		PAPER DRAWING ID BPPE	