

AUSTRALASIAN HFG STANDARD COMPONENTS

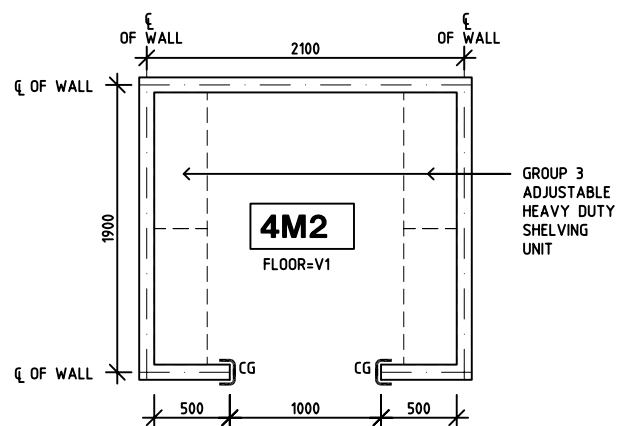
Room Layout Sheet

Room Name **Bay, Storage, 4m2**

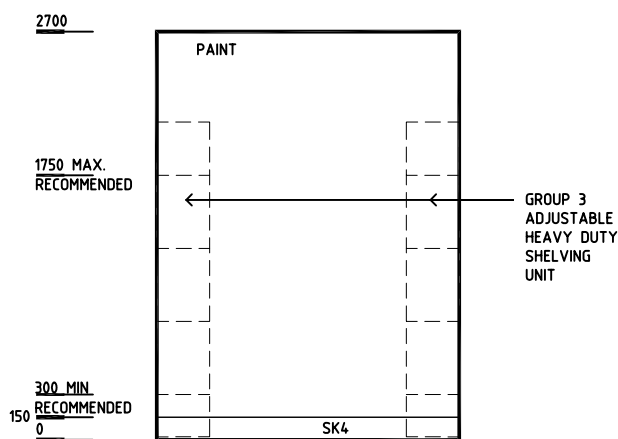
RLS Room Code **BS-4**

RDS Room Code **BS-4**

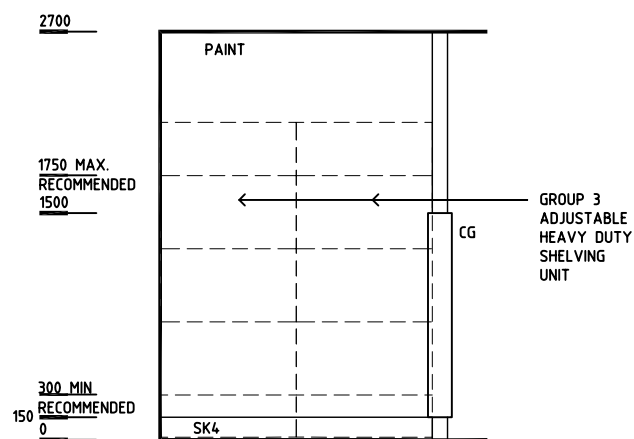
CG CORNER GUARD
SK4 FLOOR VINYL COVERED SKIRTING
V1 VINYL FLOORING, STANDARD



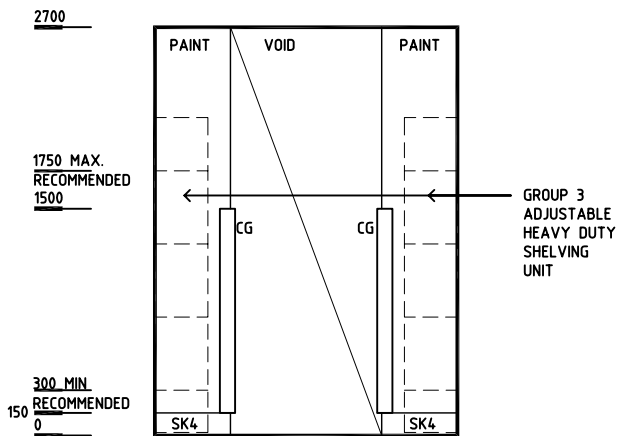
PLAN



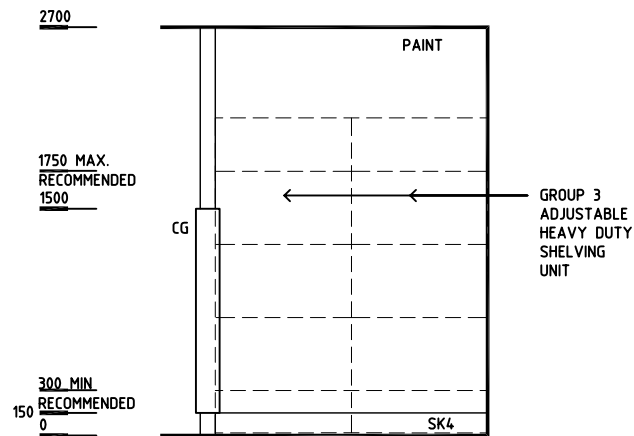
ELEVATION 1



ELEVATION 2



ELEVATION 3



ELEVATION 4

REV	DESCRIPTION	DATE	BY	REV	DESCRIPTION	DATE	BY	REV	DESCRIPTION	DATE	BY
1	FIRST ISSUE	24.4.06	AL								
2	2008 AUS HFG REVIEW, GENERAL REVISION	10.12.08	CX								

			DESIGNED	APPROVED	SCALE(S)	ZONE(S)
			AL/ADS/JH	DB	150 in A3	
CAD FILE NAME			PAPER DRAWING ID			
BS-4			BS-4			