

# AUSTRALASIAN HFG STANDARD COMPONENTS

Room Layout Sheet

Room Name **Bay - Utility, 2m2**

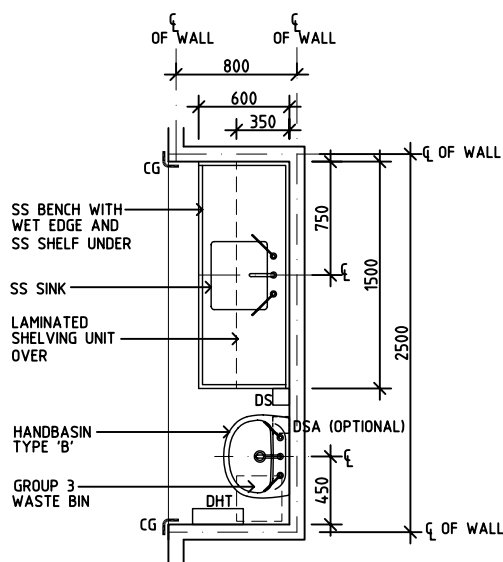
RLS Room Code **BUT-2**

RDS Room Code **BUT-2**

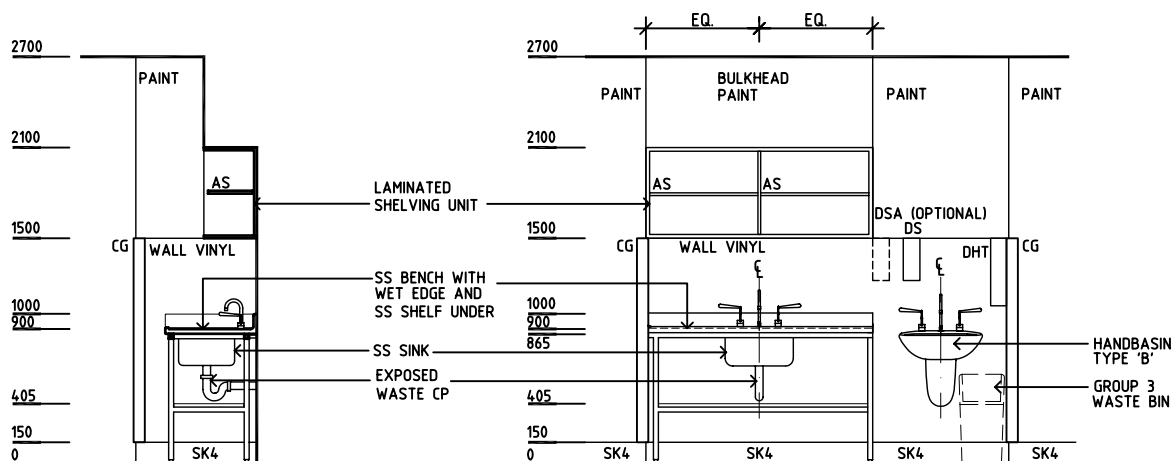
- AS ADJUSTABLE SHELF
- CG CORNER GUARD
- CP CHROME PLATED
- DHT DISPENSER - HAND TOWEL
- DS DISPENSER - SOAP
- DSA DISPENSER - SOAP, ANTISEPTIC - OPTIONAL
- FW FLOOR WASTE
- SK4 FLOOR VINYL COVERED SKIRTING
- SS STAINLESS STEEL
- V4 VINYL FLOORING, SAFETY



**2M2**  
FLOOR-V4

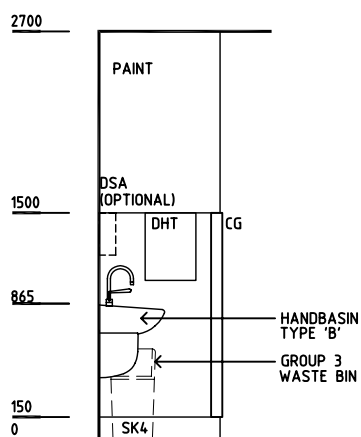


**PLAN**



**ELEVATION 1**

**ELEVATION 2**



**ELEVATION 3**

REV	DESCRIPTION	DATE	BY	REV	DESCRIPTION	DATE	BY	REV	DESCRIPTION	DATE	BY
1	FIRST ISSUE	24.4.06	AL								
2	2008 AUS HFG REVIEW, GENERAL REVISION	10.12.08	CX								



DESIGNED	APPROVED	SCALE(S)	ZONE(S)
AL/JH	DB	150 in A3	
CAD FILE NAME BUT-2		PAPER DRAWING ID BUT-2	

This document is for advisory purpose only