

AUSTRALASIAN HFG STANDARD COMPONENTS

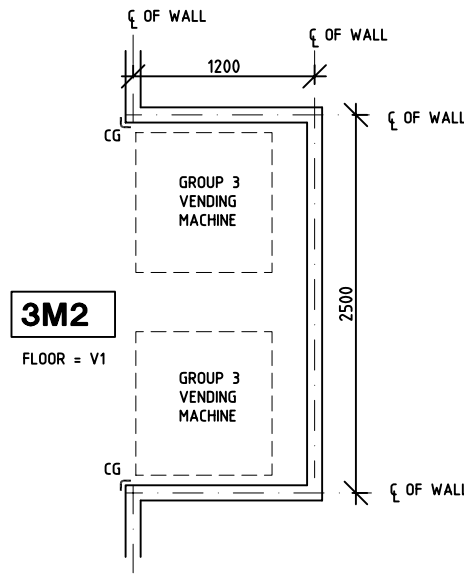
Room Layout Sheet

Room Name **Bay - Vending Machine, 3m2**

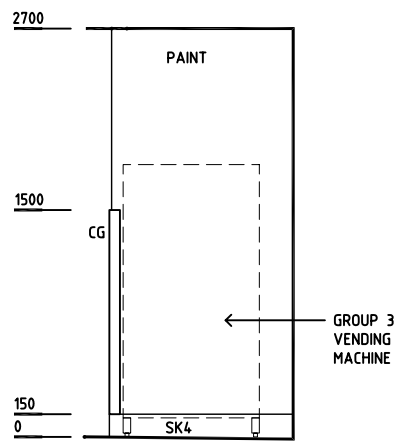
RLS Room Code **BVM-3**

RDS Room Code **BVM-3**

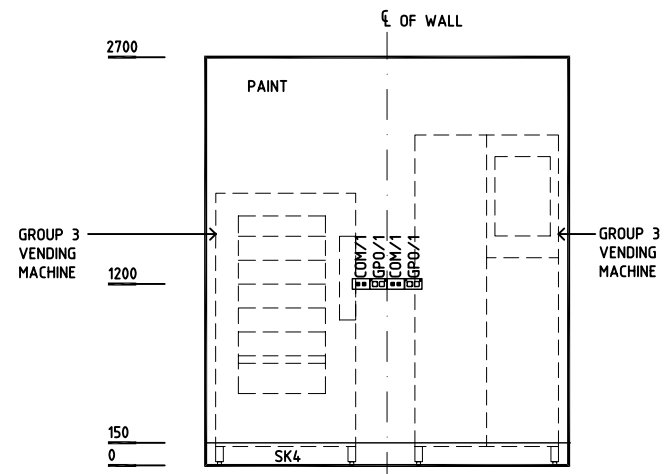
CG CORNER GUARD
 COM/1 COMMUNICATION OUTLET- SINGLE
 GPO/1 GENERAL POWER OUTLET - SINGLE
 SK4 FLOOR VINYL COVERED SKIRTING
 V1 VINYL FLOORING, STANDARD



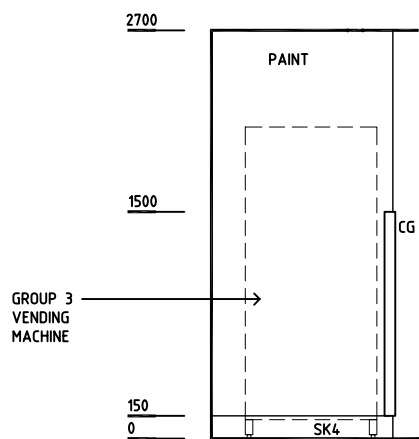
PLAN



ELEVATION 1



ELEVATION 2



ELEVATION 3

REV	DESCRIPTION	DATE	BY	REV	DESCRIPTION	DATE	BY	REV	DESCRIPTION	DATE	BY
1	FIRST ISSUE	11.7.05	HS								
2	SECOND ISSUE	18.4.06	ADS								
3	2008 AUS HFG REVIEW, GENERAL REVISION	10.12.08	CX								



DESIGNED	APPROVED	SCALE(S)	ZONE(S)
CC/AL/JH	DB	150 in A3	
CAD FILE NAME BVM-3		PAPER DRAWING ID BVM-3	

This document is for advisory purpose only