

AUSTRALASIAN HFG STANDARD COMPONENTS

Room Layout Sheet

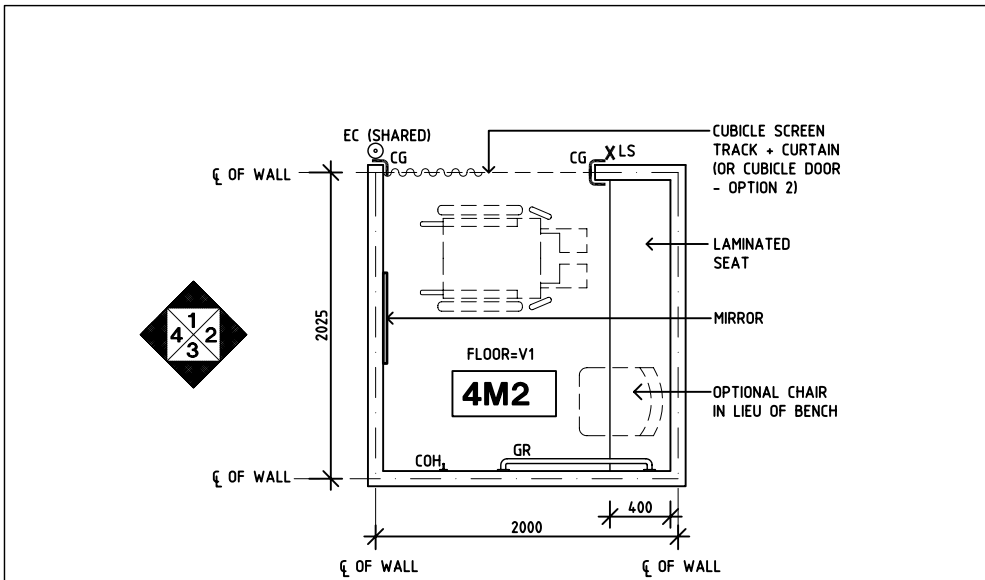
Room Name **Change Cubicle - Accessible**

RLS Room Code **CHPT-D**

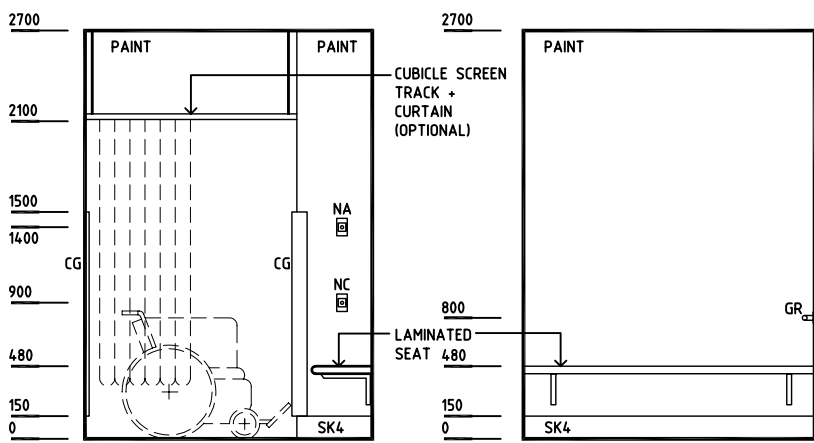
RDS Room Code **CHPT-D**

- CG CORNER GUARD
- COH COAT HOOK
- DP DOOR AND DOOR FRAME PROTECTION
- EC EMERGENCY CALL
- GR GRAB RAIL
- NA NURSE ASSIST CALL
- NC PATIENT/NURSE CALL
- SK4 FLOOR VINYL COVERED SKIRTING
- V1 VINYL FLOORING, STANDARD

OPTION 1

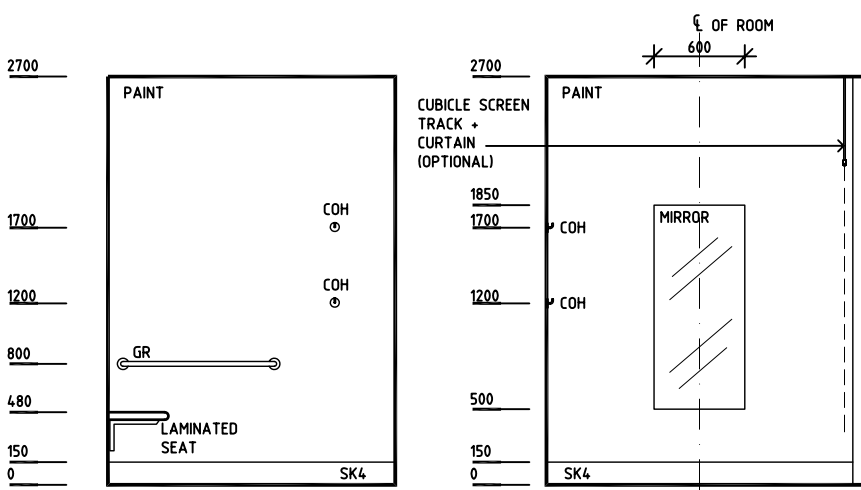


PLAN



ELEVATION 1

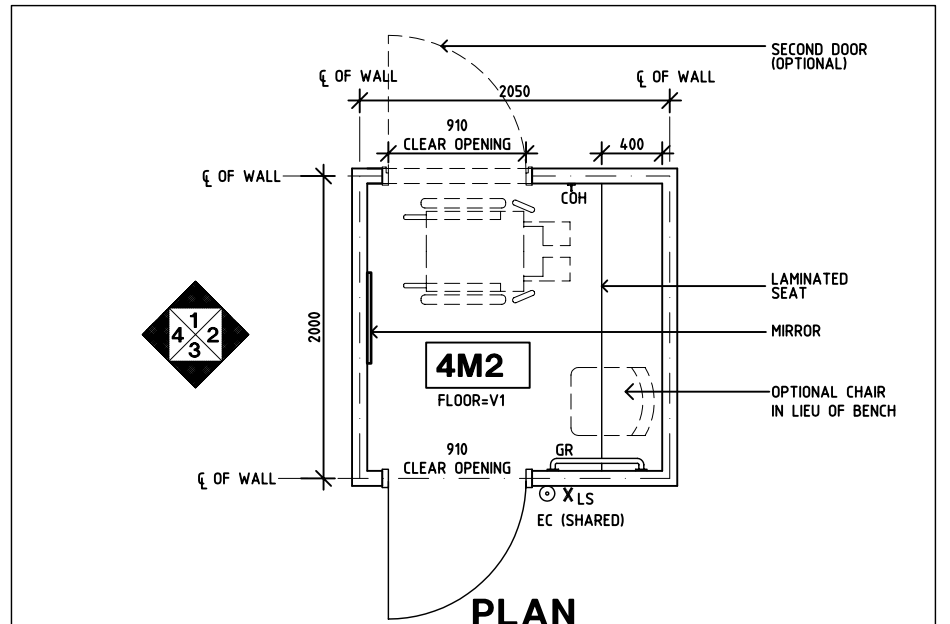
ELEVATION 2



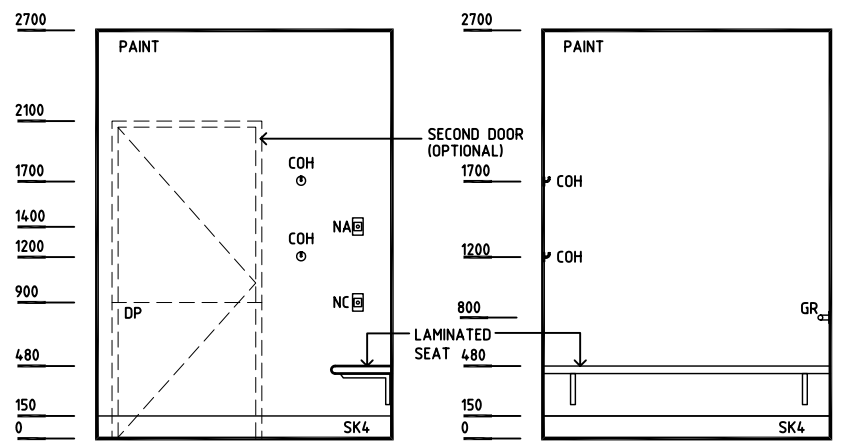
ELEVATION 3

ELEVATION 4

OPTION 2

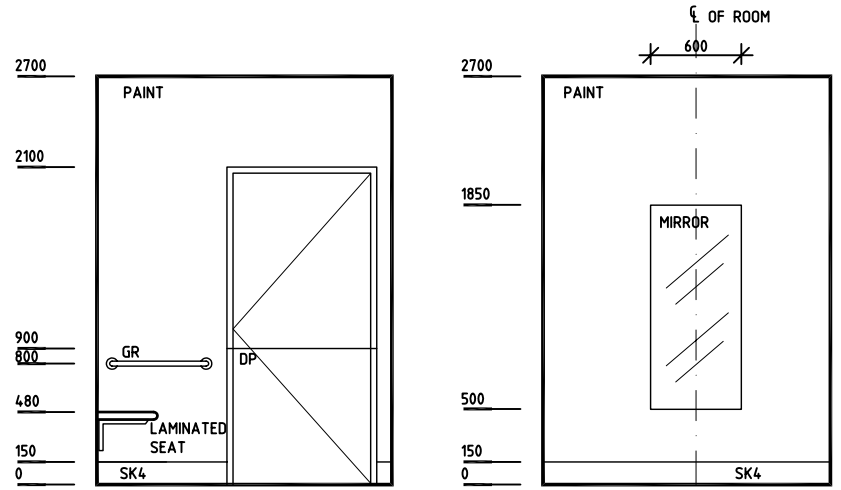


PLAN



ELEVATION 1

ELEVATION 2



ELEVATION 3

ELEVATION 4

REV	DESCRIPTION	DATE	BY	REV	DESCRIPTION	DATE	BY	REV	DESCRIPTION	DATE	BY
1	FIRST ISSUE	31.10.03	CC		INCL NAME CHANGE	10.12.08	CX				
2	GENERAL REVISIONS INCL NAME CHANGE	10.6.05	AL								
3	2008 AUS HFG REVIEW, GENERAL REVISIONS										



DESIGNED	APPROVED	SCALE(S)	ZONE(S)
CC	DB	150 in A3	
CAD FILE NAME CHPT-D		PAPER DRAWING ID CHPT-D	