

AUSTRALASIAN HFG STANDARD COMPONENTS

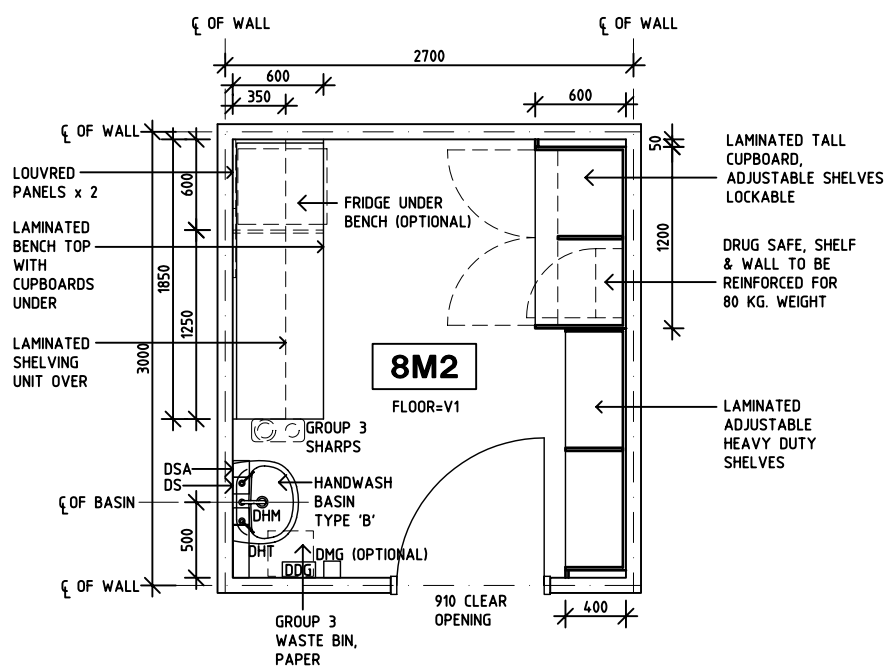
Room Layout Sheet

Room Name **Clean Utility - Sub, 8m2**

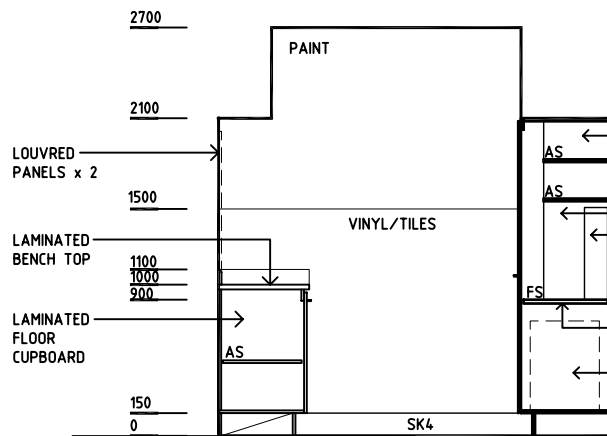
RLS Room Code **CLUR-8**

RDS Room Code **CLUR-8**

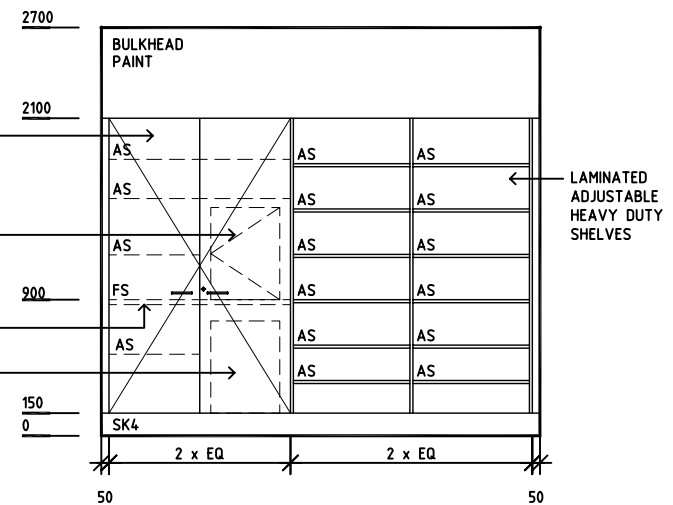
- AS ADJUSTABLE SHELF
- COM/2 COMMUNICATION OUTLET-DOUBLE
- DDG DISPENSER - DISPOSABLE GLOVES
- DHT DISPENSER - HAND TOWEL
- DMG DISPENSER - MEDICATED HAND GEL
- DP DOOR AND FRAME PROTECTION
- DS DISPENSER - SOAP
- DSA DISPENSER - SOAP ANTISEPTIC
- FS FIXED SHELF
- GPO/1 GENERAL PURPOSE OUTLET-SINGLE
- LS LIGHT SWITCH
- LS/P LIGHT SWITCH- PELMET LIGHT
- OP OBSERVATION PANEL
- SK4 FLOOR VINYL COVED SKIRTING
- V1 VINYL FLOORING, STANDARD



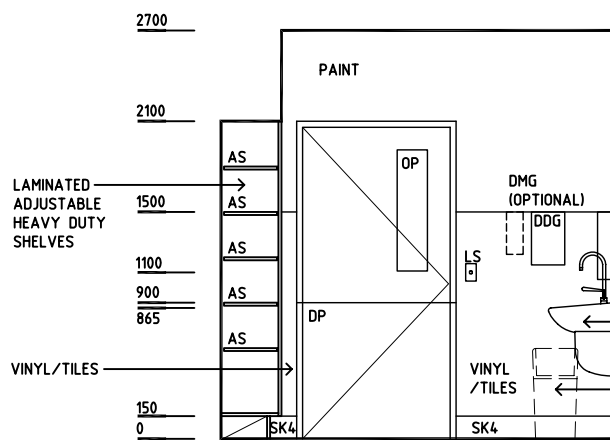
PLAN



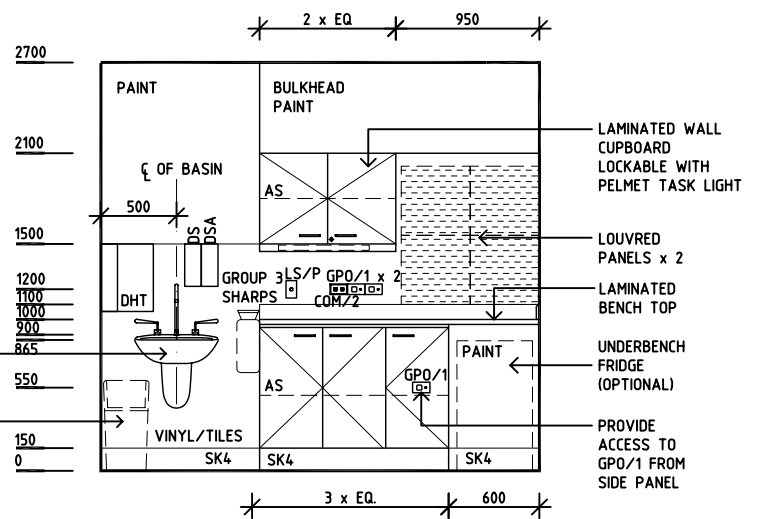
ELEVATION 1



ELEVATION 2



ELEVATION 3



ELEVATION 4

REV	DESCRIPTION	DATE	BY	REV	DESCRIPTION	DATE	BY	REV	DESCRIPTION	DATE	BY
1	FIRST ISSUE	6.11.03	BJ								
2	GENERAL REVISIONS	15.7.05	HS								
3	2008 AUS HFG REVIEW, GENERAL REVISIONS	10.12.08	CX								



DESIGNED CC/BJ	APPROVED DB	SCALE(S) 150 in A3	ZONE(S)
CAD FILE NAME CLUR-8		PAPER DRAWING ID CLUR-8	