

# AUSTRALASIAN HFG STANDARD COMPONENTS

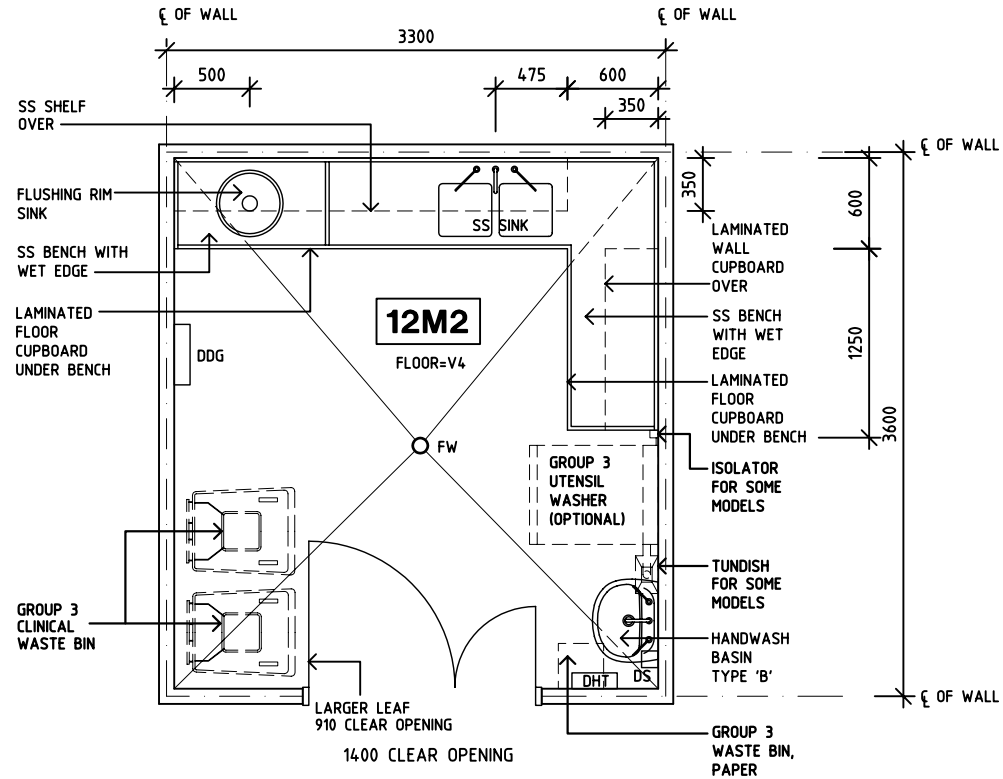
Room Layout Sheet

Room Name **Clean-Up Room (Pathology)**

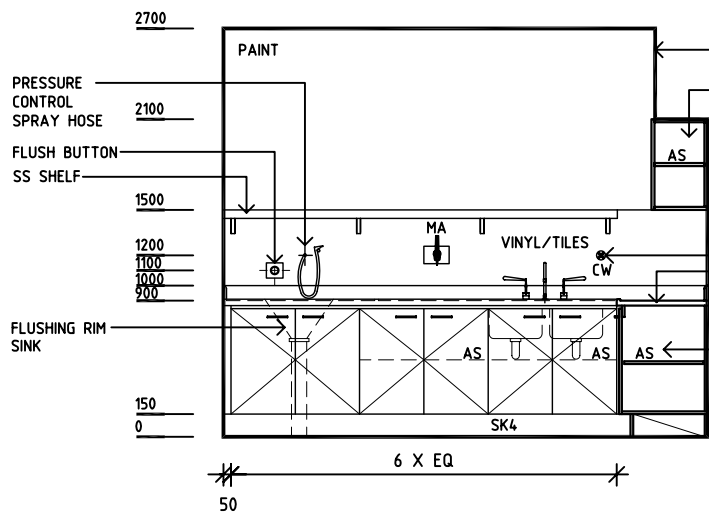
RLS Room Code **CLUP-P**

RDS Room Code **CLUP-P**

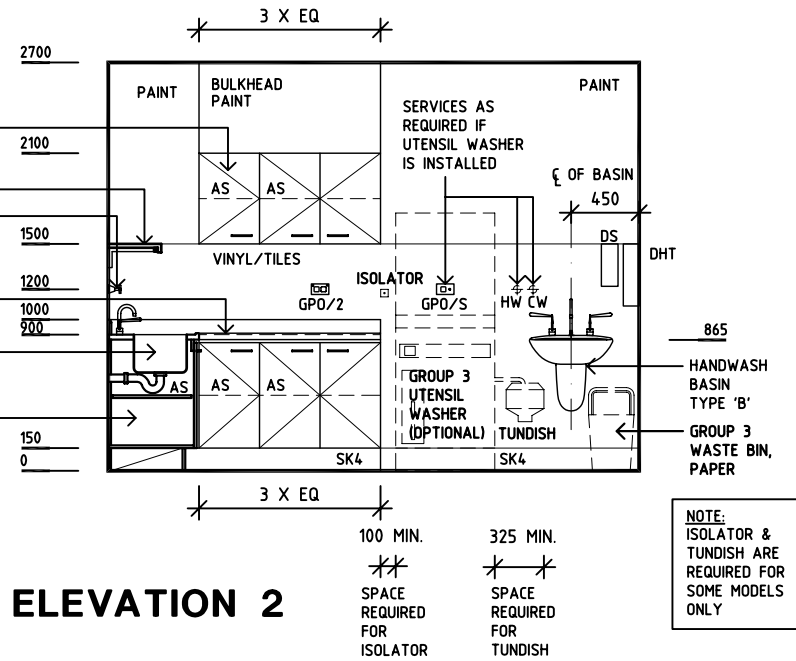
- AS ADJUSTABLE SHELF
- CW COLD WATER
- DDG DISPENSER - DISPOSABLE GLOVE
- DHT DISPENSER - HAND TOWEL
- DP DOOR AND DOOR FRAME PROTECTION
- DS DISPENSER - SOAP
- FW FLOOR WASTE
- GPO/2 GENERAL PURPOSE OUTLET - DOUBLE
- GPO/S SPECIAL POWER OUTLET - SINGLE
- HW HOT WATER
- MA MEDICAL AIR
- OP OBSERVATION PANEL
- SK4 FLOOR VINYL COVERED SKIRTING
- SS STAINLESS STEEL
- V4 VINYL FLOORING, SAFETY



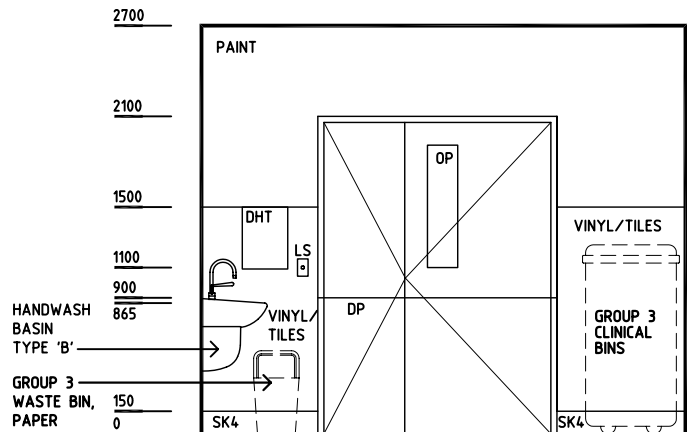
**PLAN**



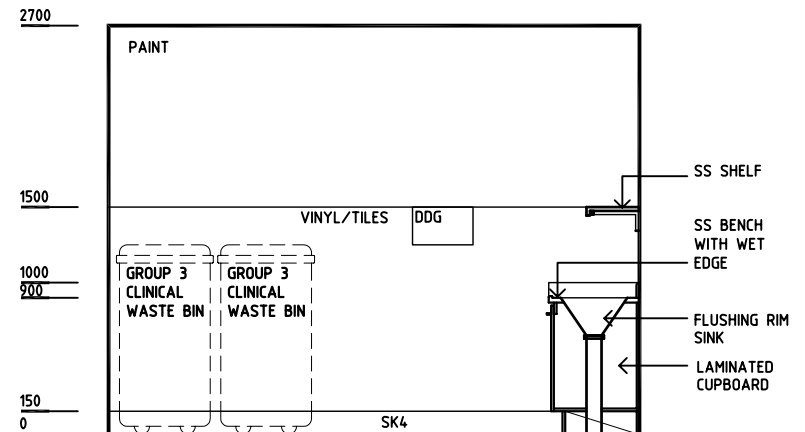
**ELEVATION 1**



**ELEVATION 2**



**ELEVATION 3**



**ELEVATION 4**

REV	DESCRIPTION	DATE	BY	REV	DESCRIPTION	DATE	BY	REV	DESCRIPTION	DATE	BY
1	FIRST ISSUE	15.07.05	HS								

**Australasian HFG**

**HCAMC** in association with **UNSW**

HPI

DESIGNED	APPROVED	SCALE(S)	ZONE(S)
AL/CC/BJ	DB	1:50 in A3	
CAD FILE NAME CLUP-P		PAPER DRAWING ID CLUP-P	