

AUSTRALASIAN HFG STANDARD COMPONENTS

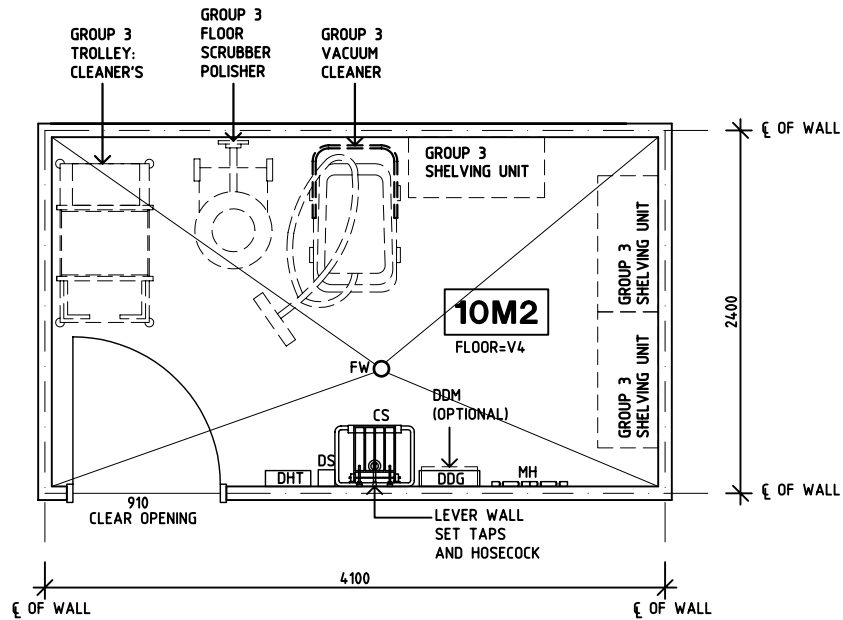
Room Layout Sheet

Room Name **Cleaner's Room - 10m2**

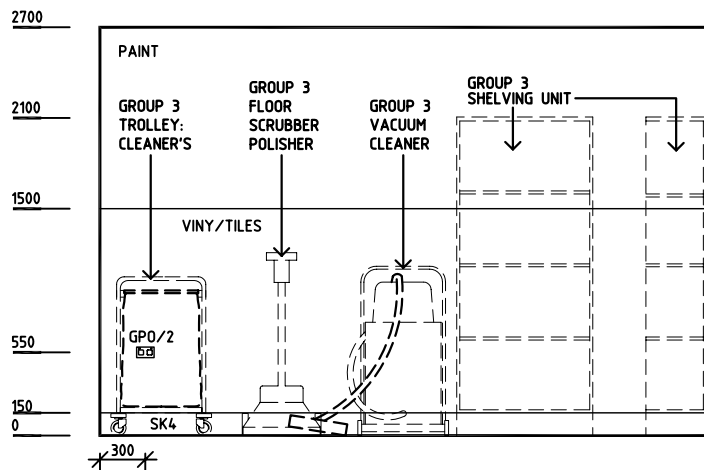
RLS Room Code **CLRM-10**

RDS Room Code **CLRM-10**

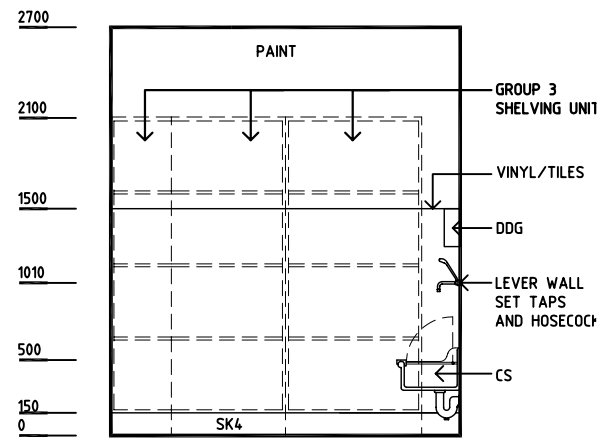
- CS CLEANER SINK
- DDG DISPENSER - DISPOSABLE GLOVE
- DDM DISPENSER - DETERGENT/CHEMICAL MIXER
- DHT DISPENSER - HAND TOWEL
- DP DOOR AND DOOR FRAME PROTECTION
- DS DISPENSER - SOAP
- FW FLOOR WASTE
- GPO/2 GENERAL PURPOSE OUTLET - DOUBLE
- LS LIGHT SWITCH
- MH MOP HOOK
- SK4 FLOOR VINYL COVERED SKIRTING
- V4 VINYL FLOORING, SAFETY



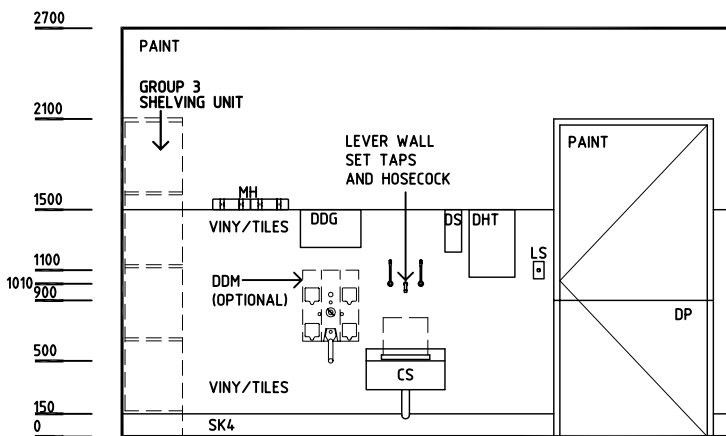
PLAN



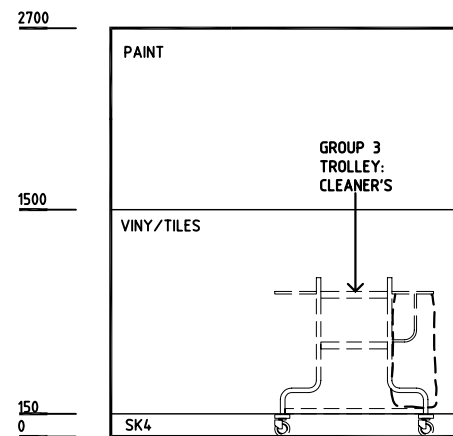
ELEVATION 1



ELEVATION 2



ELEVATION 3



ELEVATION 4

REV	DESCRIPTION	DATE	BY	REV	DESCRIPTION	DATE	BY	REV	DESCRIPTION	DATE	BY
1	FIRST ISSUE	15.07.05	HS								

Australasian HFG	HCAMC in association with UNSW	HPI	DESIGNED	APPROVED	SCALE(S)	ZONE(S)
			AA/BJ	DB	1:50 in A3	
			CAD FILE NAME CLRM-10		PAPER DRAWING ID CLRM-10	