

# AUSTRALASIAN HFG STANDARD COMPONENTS

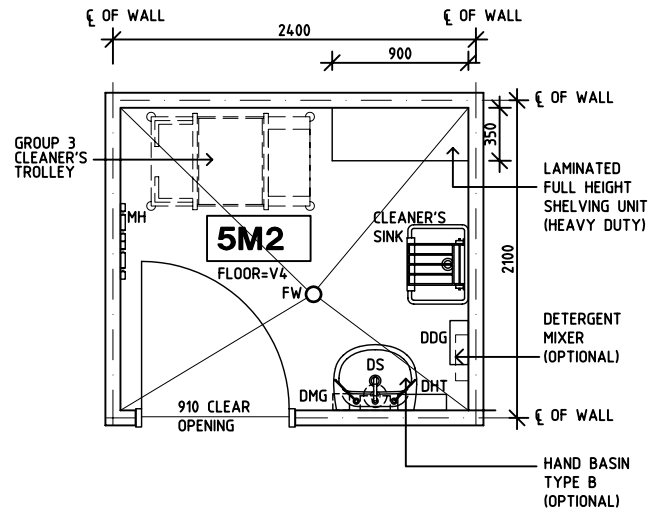
Room Layout Sheet

Room Name **Cleaner's Room, 5m2**

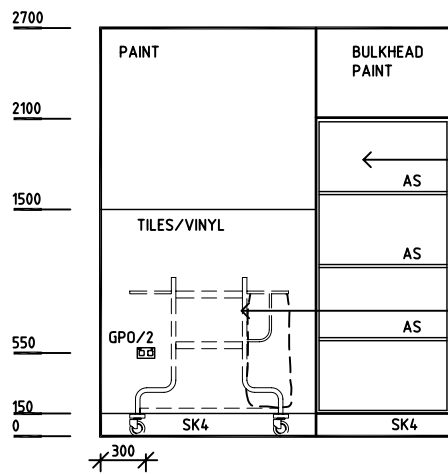
RLS Room Code **CLRM-5**

RDS Room Code **CLRM-5**

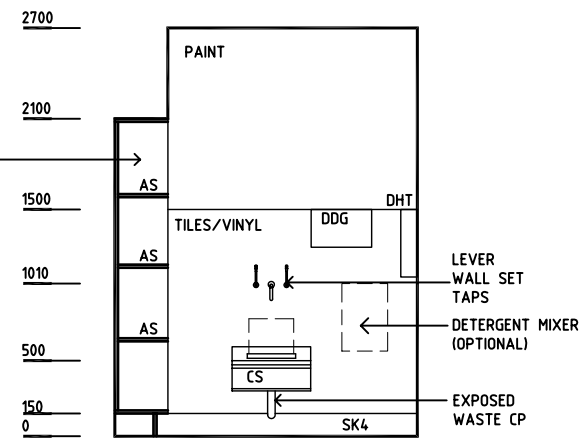
- AS ADJUSTABLE SHELF
- CP CHROME PLATED
- CS CLEANER'S SINK
- DDG DISPENSER - DISPOSABLE GLOVE
- DHT DISPENSER - HAND TOWEL
- DMG DISPENSER - MEDICATED HAND GEL
- DP DOOR AND DOOR FRAME PROTECTION
- DS DISPENSER - SOAP
- FW FLOOR WASTE
- GPO/2 GENERAL PURPOSE OUTLET - DOUBLE
- LS LIGHT SWITCH
- MH MOP HOOKS
- SK4 FLOOR VINYL COVERED SKIRTING
- V4 VINYL FLOORING, SAFETY



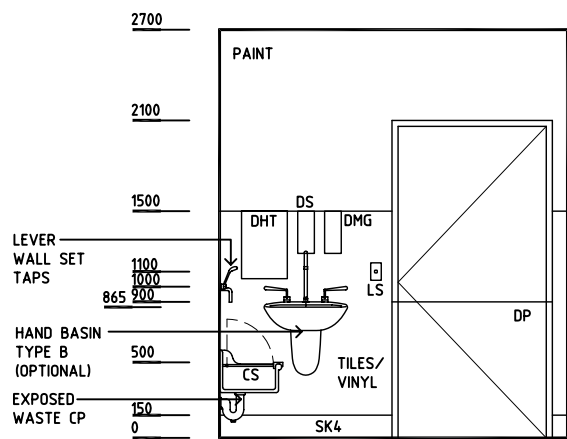
**PLAN**



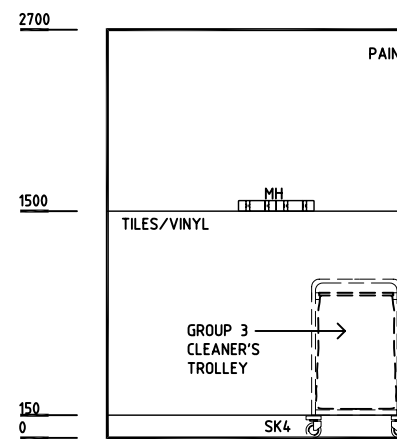
**ELEVATION 1**



**ELEVATION 2**



**ELEVATION 3**



**ELEVATION 4**

REV	DESCRIPTION	DATE	BY	REV	DESCRIPTION	DATE	BY	REV	DESCRIPTION	DATE	BY
1	FIRST ISSUE	21.10.03	CC								
2	GENERAL REVISIONS	9.5.05	AL								
3	2008 AUS HFG REVIEW, GENERAL REVISIONS	10.12.08	AL								



DESIGNED CC/JMH	APPROVED DB	SCALE(S) 150 in A3	ZONE(S)
CAD FILE NAME CLRM-5		PAPER DRAWING ID CLRM-5	