

AUSTRALASIAN HFG STANDARD COMPONENTS

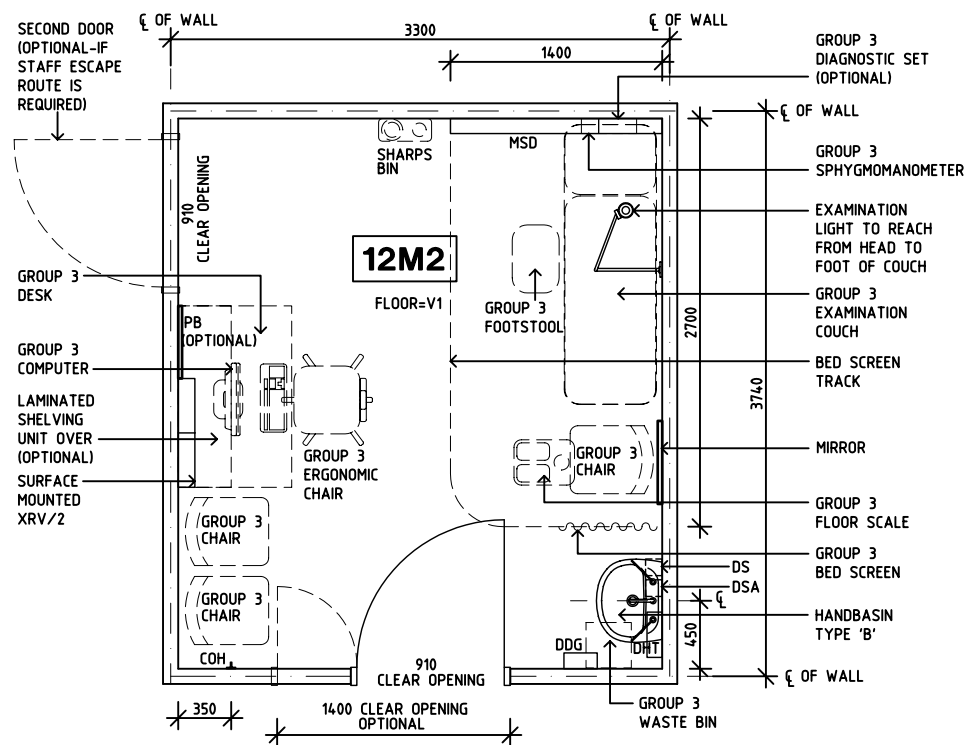
Room Layout Sheet

Room Name **Consult Room**

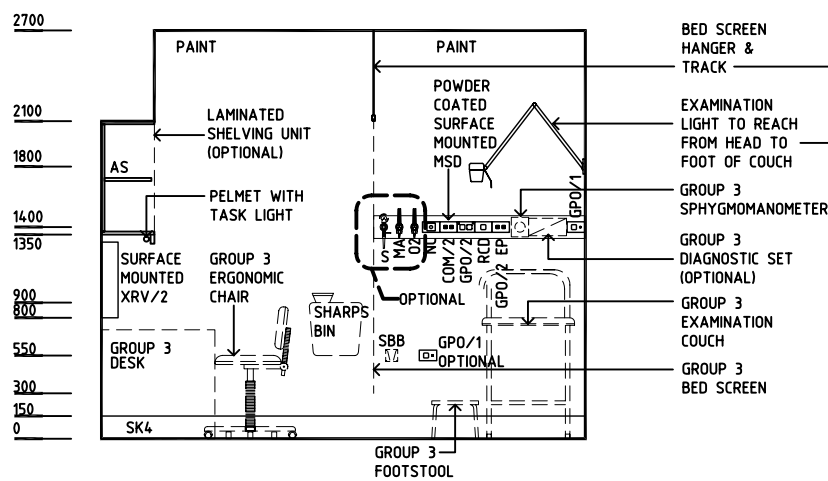
RLS Room Code **CONS**

RDS Room Code **CONS**

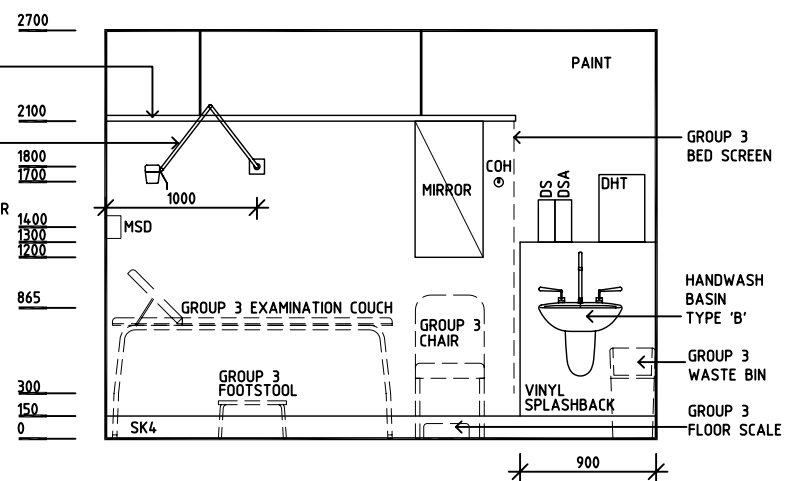
- AS ADJUSTABLE SHELF
- COH COAT HOOK
- COM/2 COMMUNICATION OUTLET - DOUBLE
- DA DURESS ALARM
- DDG DISPENSER - DISPOSABLE GLOVES
- DHT DISPENSER - HAND TOWEL
- DP DOOR AND DOOR FRAME PROTECTION
- DS DISPENSER - SOAP
- DSA DISPENSER - SOAP ANTISEPTIC
- EC EMERGENCY CALL
- GPO/1 GENERAL PURPOSE OUTLET - SINGLE
- GPO/2 GENERAL PURPOSE OUTLET - DOUBLE
- GPO/2 EP EMERGENCY POWER OUTLET - DOUBLE
- GPO/C GENERAL PURPOSE OUTLET - CLEANER'S
- LS /R LIGHT SWITCH -ROOM
- LS /P LIGHT SWITCH -PELMET TASK LIGHT
- MA MEDICAL AIR
- MSD MEDICAL SERVICES DUCT
- NA NURSE ASSIST CALL
- NC PATIENT/ NURSE CALL
- O2 OXYGEN
- OP OBSERVATION PANEL
- PB PINBOARD
- RCD RESIDUAL CURRENT DEVICE
- S SUCTION
- SBB SUCTION BOTTLE BRACKET
- SK4 FLOOR VINYL COVERED SKIRTING
- V1 VINYL FLOORING, STANDARD
- XRV/2 X-RAY VIEWER, 2 SCREENS



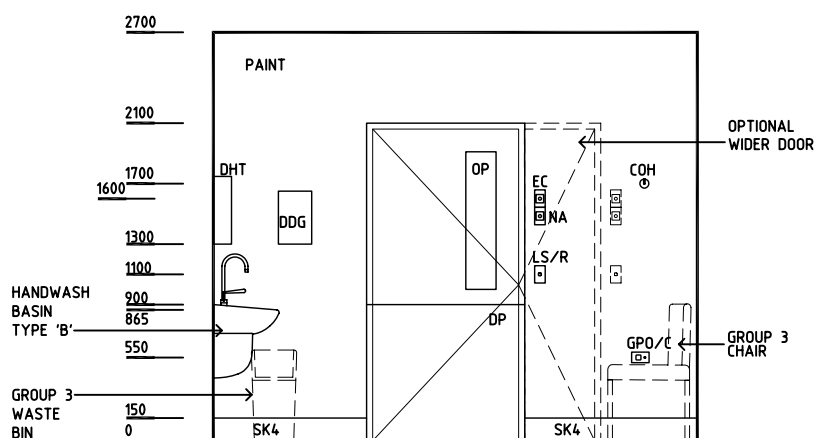
PLAN



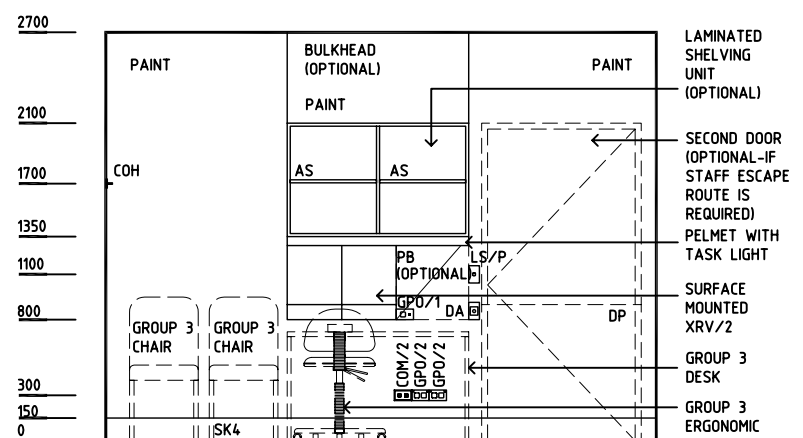
ELEVATION 1



ELEVATION 2



ELEVATION 3



ELEVATION 4

REV	DESCRIPTION	DATE	BY	REV	DESCRIPTION	DATE	BY
1	FIRST ISSUE	31.10.03	CC	4	ROOM DIMENSIONS REVISED	31.10.05	AL
2	GENERAL REVISIONS	10.5.05	HS	5	2008 AUS HFG REVIEW, GENERAL REVISIONS	10.12.08	CX
3	GENERAL REVISIONS	19.5.05	AL				



DESIGNED	APPROVED	SCALE(S)	ZONE(S)
CC/JMH	DB	150 in A3	
CAD FILE NAME		PAPER DRAWING ID	
CONS		CONS	