

AUSTRALASIAN HFG STANDARD COMPONENTS

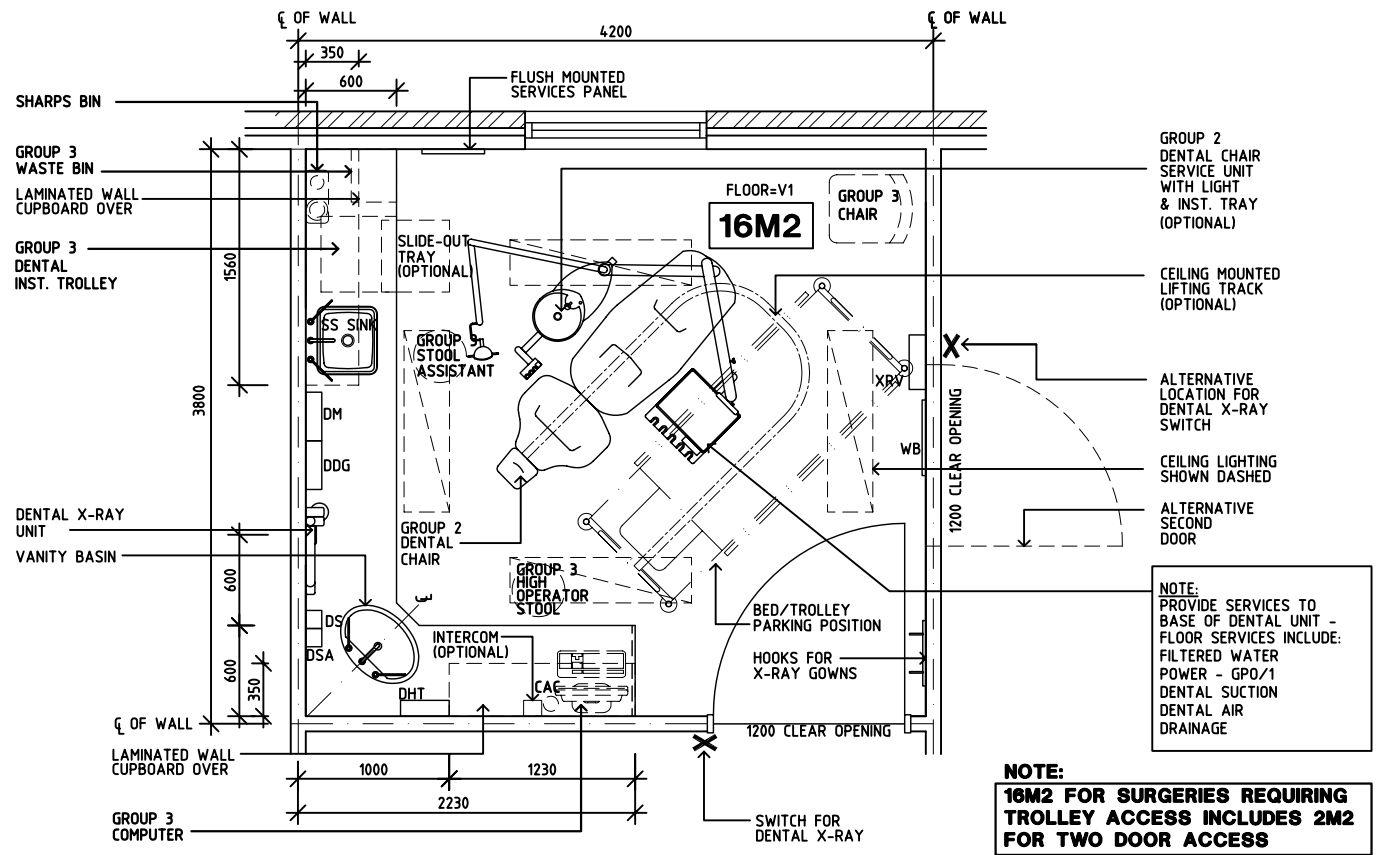
Room Layout Sheet

Room Name **Dental Surgery, 16m2**

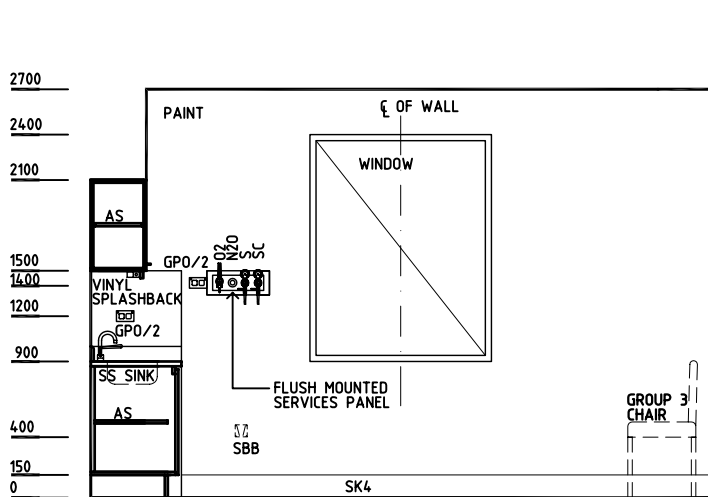
RLS Room Code **DENSR-16**

RDS Room Code **DENSR**

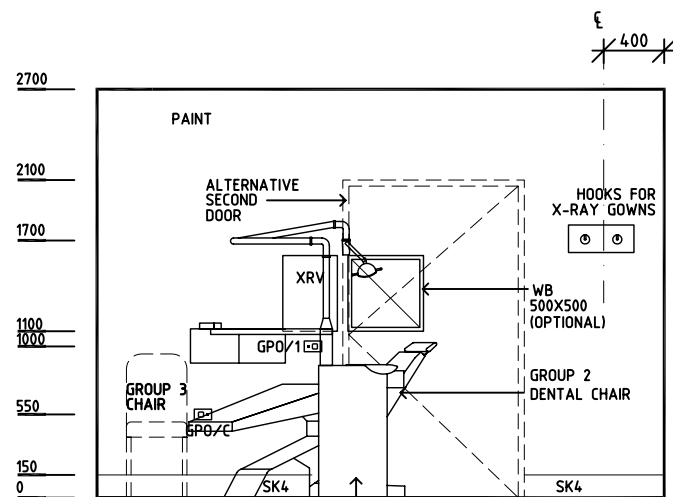
- AS ADJUSTABLE SHELF
- CAC CABLE ACCESS CAP
- COM/2 COMMUNICATION OUTLET - DOUBLE
- DDG DISPENSER - DISPOSABLE GLOVES
- DHT DISPENSER - HAND TOWEL
- DM DISPENSER - MASK
- DP DOOR AND DOOR FRAME PROTECTION
- DS DISPENSER - SOAP
- DSA DISPENSER - SOAP ANTISEPTIC
- EC EMERGENCY CALL
- GP0/1 GENERAL PURPOSE OUTLET - SINGLE
- GP0/2 GENERAL PURPOSE OUTLET - DOUBLE
- GP0/C GENERAL PURPOSE OUTLET - CLEANER'S
- LS LIGHT SWITCH
- LVP LAMINATED VERTICAL PANEL
- MA MEDICAL AIR
- N2O NITROUS OXIDE
- O2 OXYGEN
- OP OBSERVATION PANEL
- S SUCTION
- SBB SUCTIONBOTTLE BRACKET
- SS STAINLESS STEEL
- SC SCAVENGE
- SK4 FLOOR VINYL COVERED SKIRTING
- V1 VINYL FLOORING, STANDARD
- WB WHITEBOARD
- XRV X-RAY VIEWER



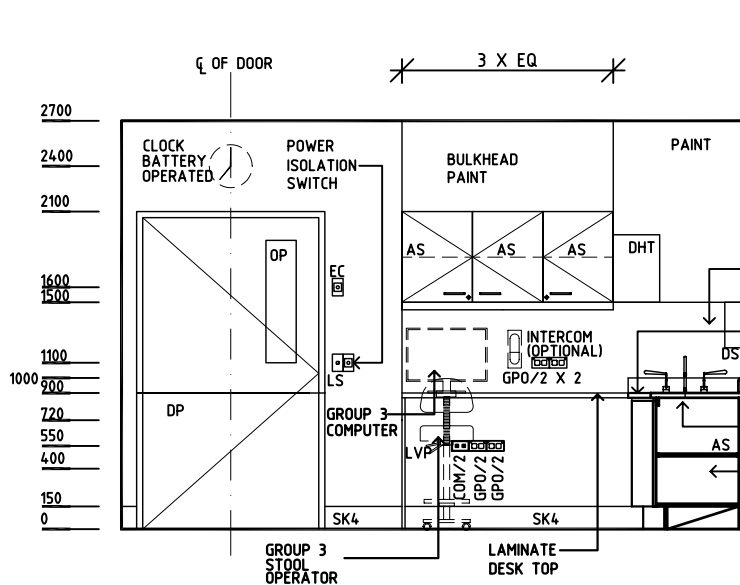
PLAN



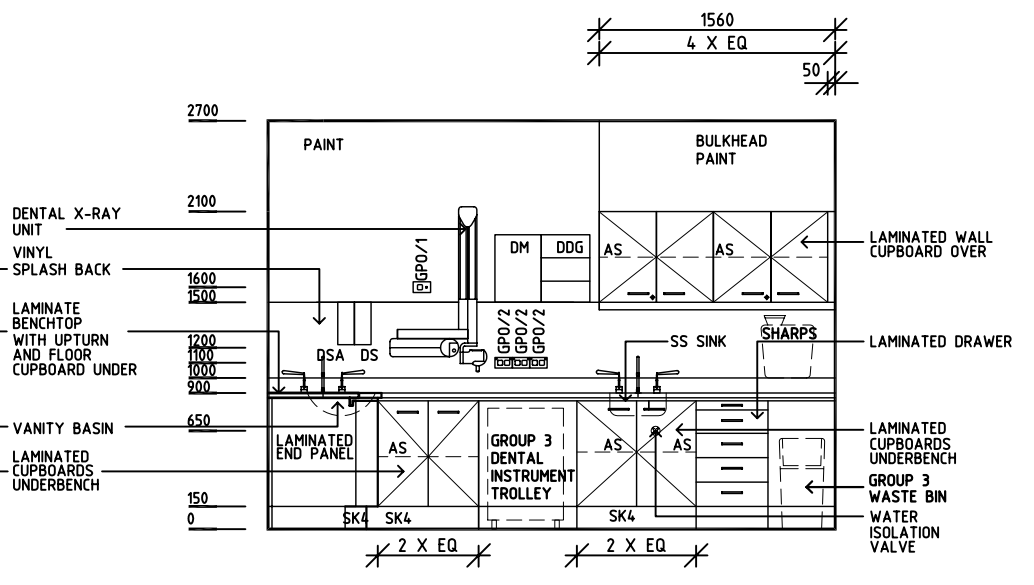
ELEVATION 1



ELEVATION 2



ELEVATION 3



ELEVATION 4

REV	DESCRIPTION	DATE	BY	REV	DESCRIPTION	DATE	BY	REV	DESCRIPTION	DATE	BY
1	FIRST ISSUE	02.03.07	HMC		NOTES AMENDED, DIM ADDED	08.06.07	KC				
2	WB, MEDICAL GAS, XRV, DDG, COMPUTER & INSTRUMENT TROLLEY RELOCATED, DOOR &										

Australasian HFG

HCAMC in association with **UNSW**

HPI

DESIGNED	APPROVED	SCALE(S)	ZONE(S)
HMC	DB	1:50 in A3	
CAD FILE NAME		PAPER DRAWING ID	
DENSR-16		DENSR-16	