

AUSTRALASIAN HFG STANDARD COMPONENTS

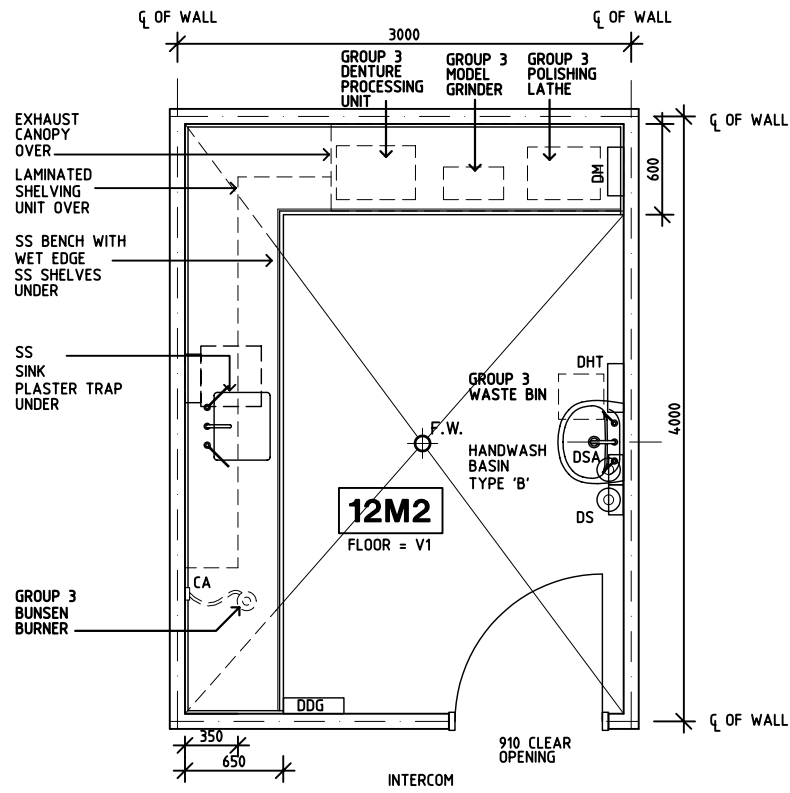
Room Layout Sheet

Room Name **Dental Workroom**

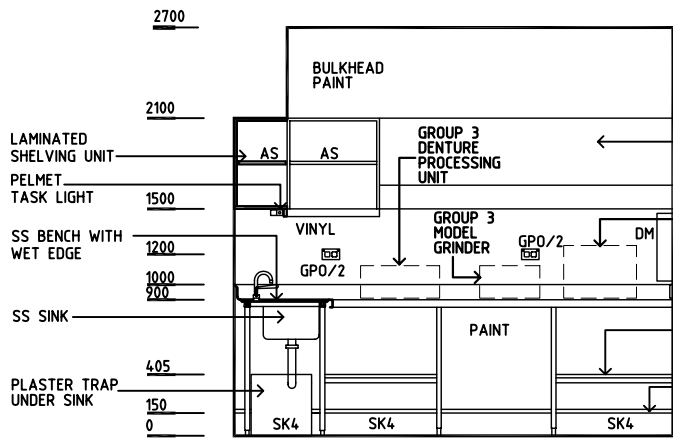
RLS Room Code **DENW**

RDS Room Code **DENW**

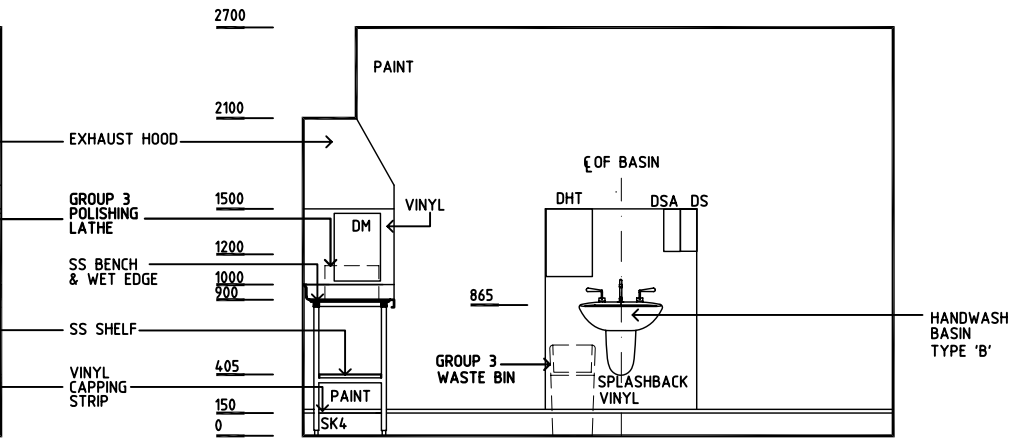
- AS ADJUSTABLE SHELF
- CA COMPRESSED AIR
- COM/2 COMMUNICATION OUTLET- DOUBLE
- DDG DISPENSER - DISPOSABLE GLOVE
- DHT DISPENSER - HAND TOWEL
- DM DISPENSER - MASK
- DP DOOR AND DOOR FRAME PROTECTION
- DS DISPENSER - SOAP
- DSA DISPENSER - SOAP ANTISEPTIC
- FW FLOOR WASTE
- GPO/2 GENERAL PURPOSE OUTLET- DOUBLE
- LS LIGHT SWITCH
- NG NATURAL GAS
- SK4 FLOOR VINYL COVER SKIRTING
- SS STAINLESS STEEL
- V1 VINYL FLOORING, STANDARD
- WO WATER OUTLET



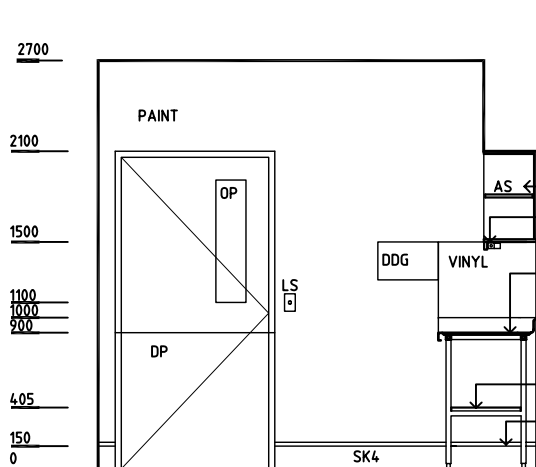
PLAN



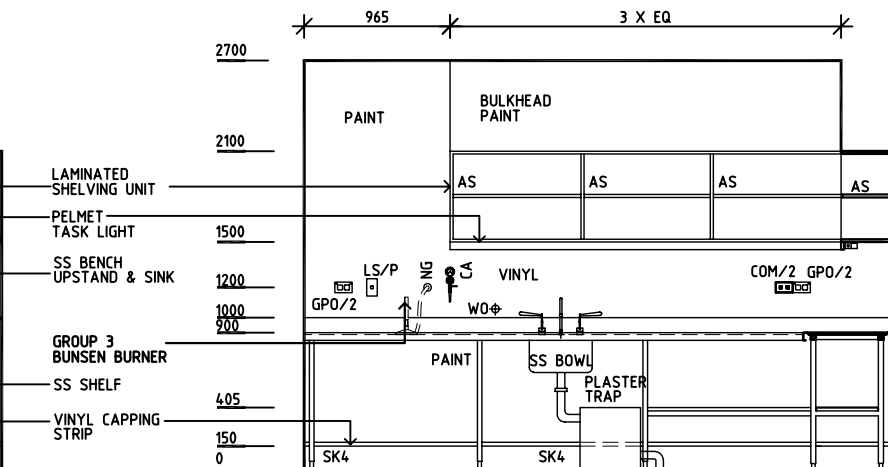
ELEVATION 1



ELEVATION 2



ELEVATION 3



ELEVATION 4

REV	DESCRIPTION	DATE	BY	REV	DESCRIPTION	DATE	BY	REV	DESCRIPTION	DATE	BY
1	FIRST ISSUE	13.07.05	AL								

Australasian HFG

HCAMC in association with **UNSW**

HPI

DESIGNED	APPROVED	SCALE(S)	ZONE(S)
AL	DB	1:50 in A3	
CAD FILE NAME		PAPER DRAWING ID	
DENW		DENW	