

AUSTRALASIAN HFG STANDARD COMPONENTS

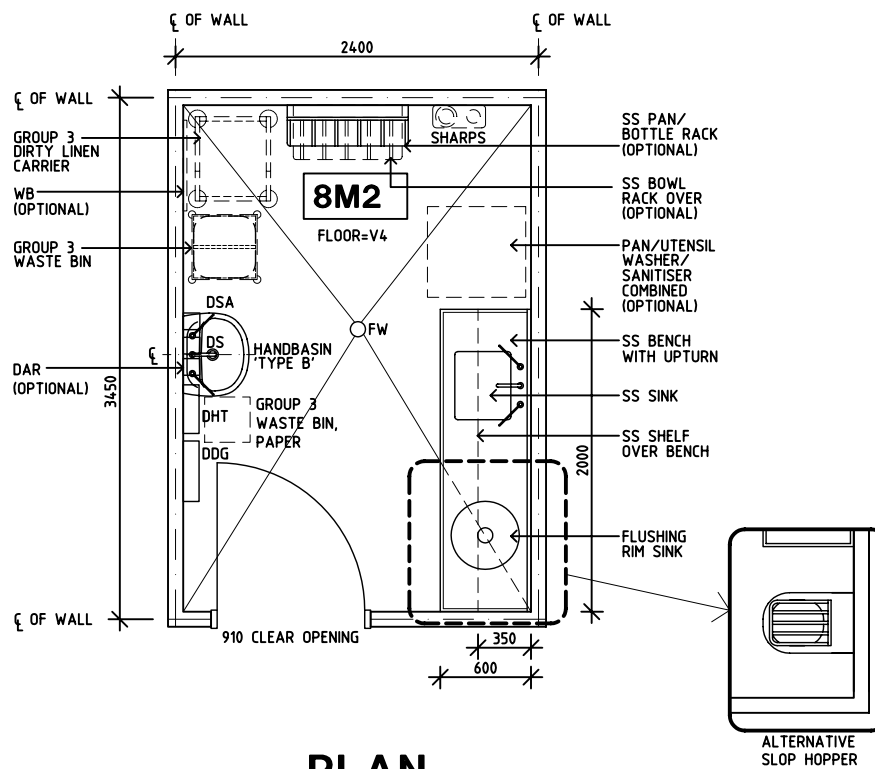
Room Layout Sheet

Room Name **Dirty Utility - Sub**

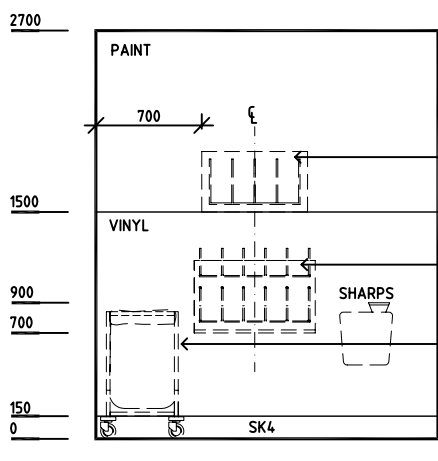
RLS Room Code **DTUR-S**

RDS Room Code **DTUR-S**

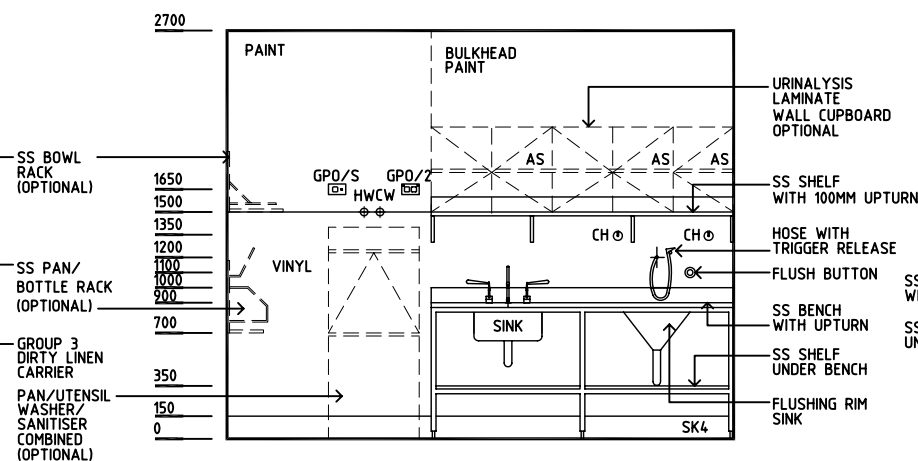
- CH CATHETER HOOK
- CW COLD WATER OUTLET
- DAR DISPENSER - ALCOHOL RUB
- DDG DISPENSER - DISPOSABLE GLOVE
- DHT DISPENSER - HAND TOWEL
- DS DISPENSER - SOAP
- DP DOOR & DOOR FRAME PROTECTION
- FW FLOOR WASTE
- GPO/2 GENERAL PURPOSE OUTLET - DOUBLE
- GPO/S GENERAL PURPOSE OUTLET - SPECIAL
- HW HOT WATER OUTLET
- OP OBSERVATION PANEL
- SS STAINLESS STEEL
- SK4 FLOOR VINYL COVERED SKIRTING
- V4 VINYL FLOORING - SAFETY
- WB WHITEBOARD



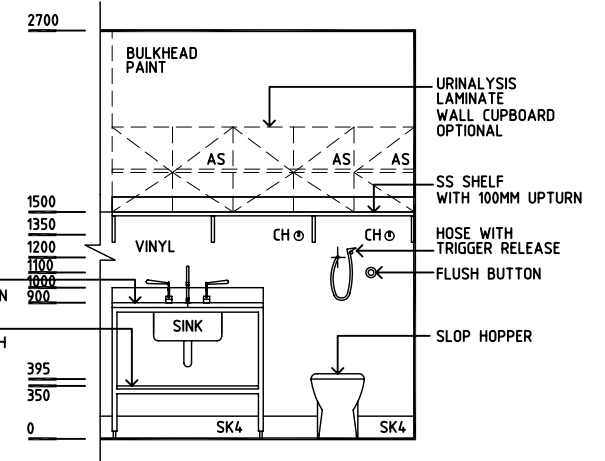
PLAN



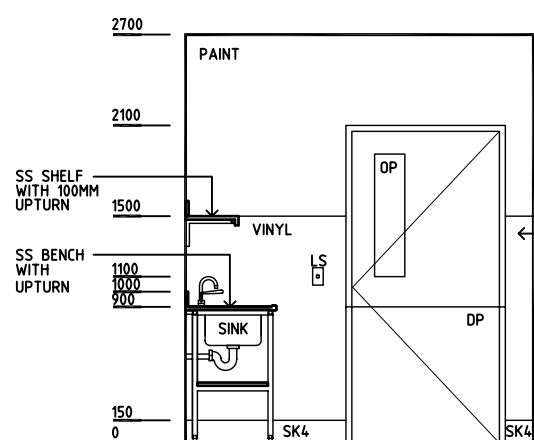
ELEVATION 1



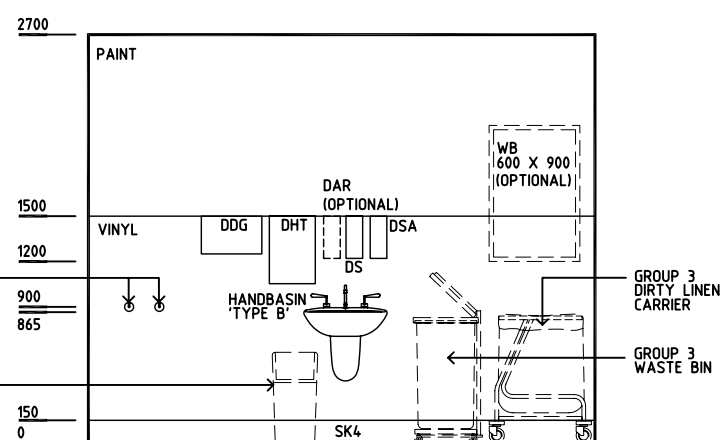
ELEVATION 2



ELEVATION 2 ALTERNATIVE



ELEVATION 3



ELEVATION 4

REV	DESCRIPTION	DATE	BY	REV	DESCRIPTION	DATE	BY	REV	DESCRIPTION	DATE	BY
1	FIRST ISSUE	11.7.05	AL								
2	2008 AUS HFG REVIEW, GENERAL REVISION	10.12.08	KC								



DESIGNED	APPROVED	SCALE(S)	ZONE(S)
CC	DB	150 in A3	
CAD FILE NAME		PAPER DRAWING ID	
DTUR-S		DTUR-S	

This document is for advisory purpose only