

AUSTRALASIAN HFG STANDARD COMPONENTS

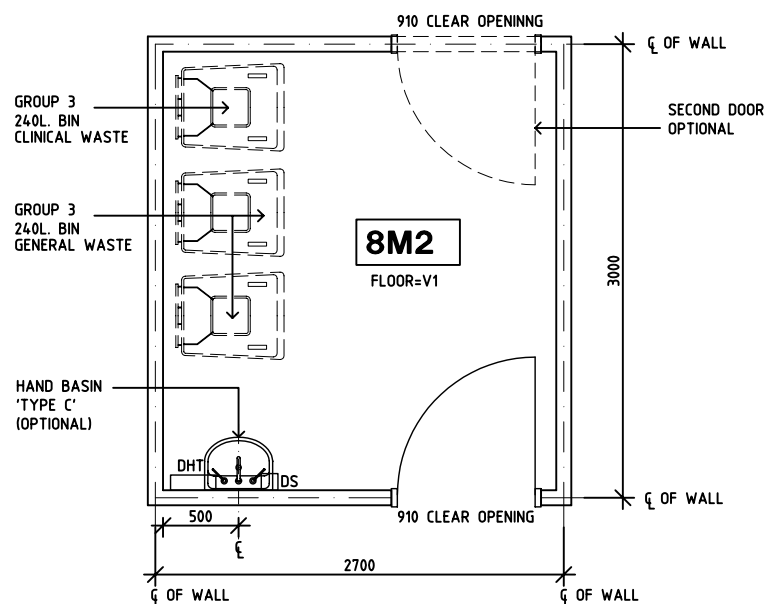
Room Layout Sheet

Room Name **Disposal Room, 8m2**

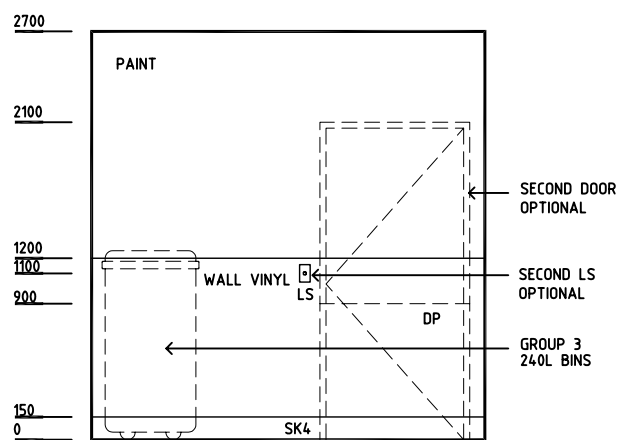
RLS Room Code **DISP-8**

RDS Room Code **DISP-8**

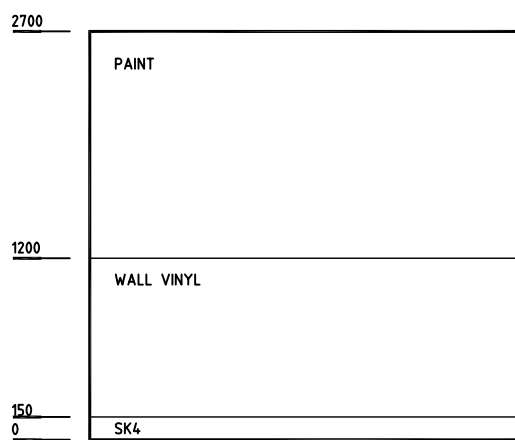
- DHT DISPENSER - HAND TOWEL
- DS DISPENSER - SOAP
- DP DOOR AND DOOR FRAME PROTECTION
- LS LIGHT SWITCH
- SK4 FLOOR VINYL COVERED SKIRTING
- V1 VINYL FLOORING, STANDARD



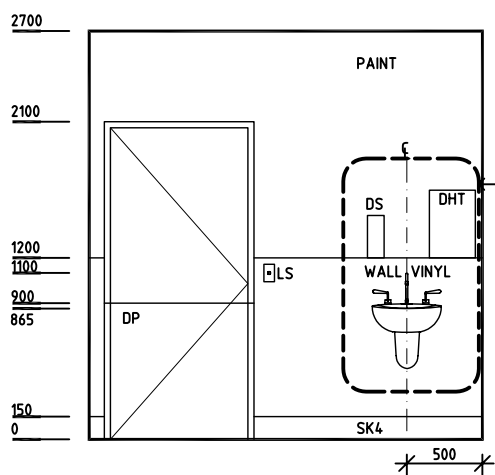
PLAN



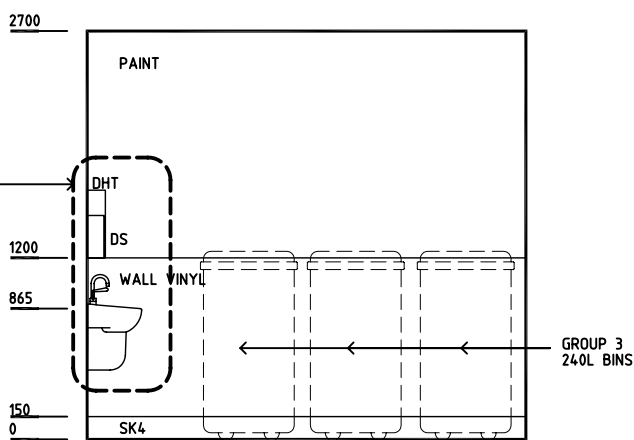
ELEVATION 1



ELEVATION 2



ELEVATION 3



ELEVATION 4

REV	DESCRIPTION	DATE	BY	REV	DESCRIPTION	DATE	BY	REV	DESCRIPTION	DATE	BY
1	FIRST ISSUE	31.10.03	CC								
2	GENERAL REVISIONS INCL NAME CHANGE	27.5.05	JMH								

			DESIGNED	APPROVED	SCALE(S)	ZONE(S)
			CC/JMH	DB	150 in A3	
			CAD FILE NAME	PAPER DRAWING ID		
			DISP-8	DISP-8		