

AUSTRALASIAN HFG STANDARD COMPONENTS

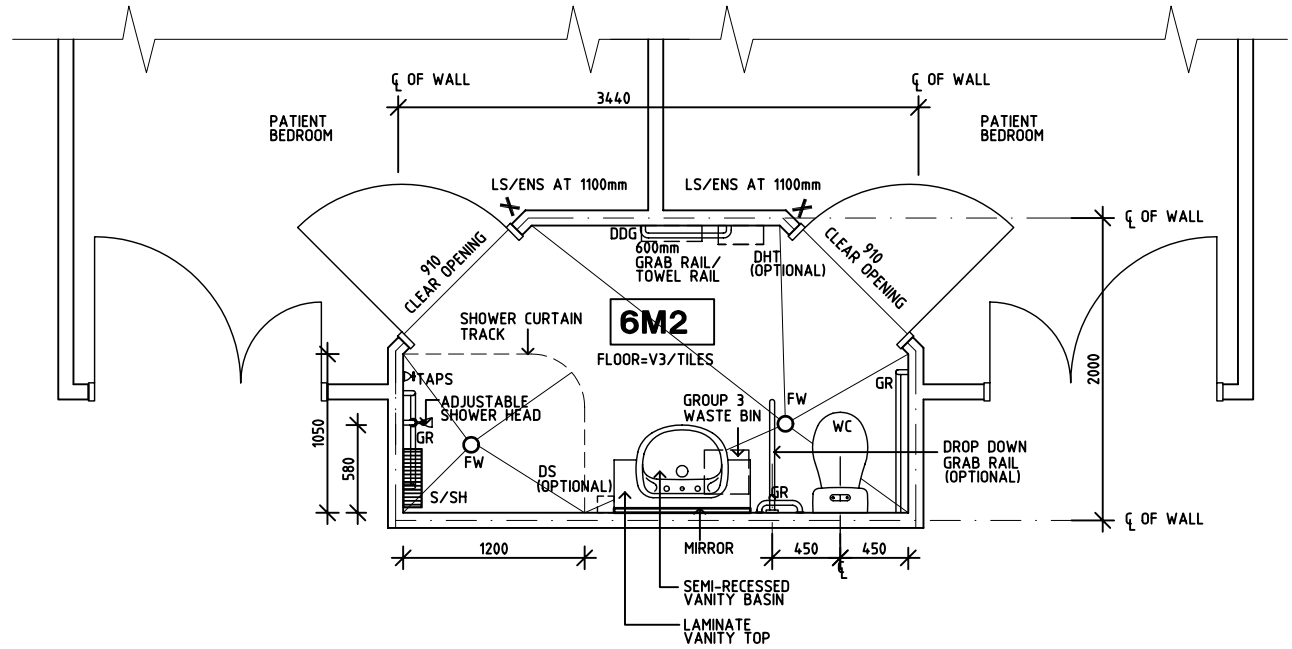
Room Layout Sheet

Room Name **Ensuite - Shared**

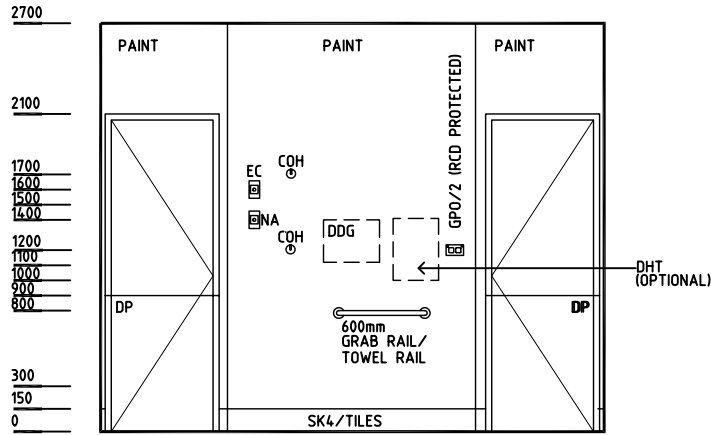
RLS Room Code **ENS-SH-A**

RDS Room Code **ENS-SH**

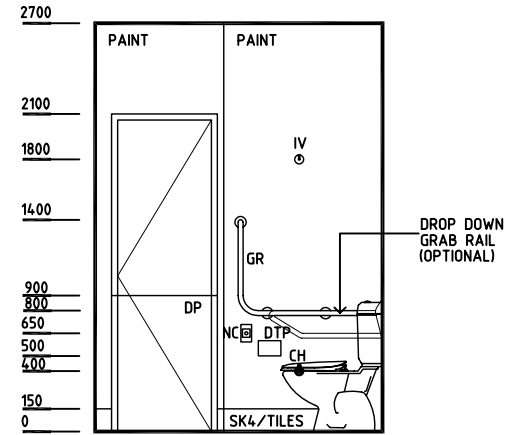
- CH CATHETER HOOK
- COH COAT HOOK
- CP CHROME PLATED
- DDG DISPENSER - DISPOSABLE GLOVE
- DHT DISPENSER - HAND TOWEL
- DP DOOR AND DOOR FRAME PROTECTION
- DS DISPENSER - SOAP
- DTP DISPENSER - TOILET PAPER
- EC EMERGENCY CALL
- FW FLOOR WASTE
- GPO/2 GENERAL POWER OUTLET, DOUBLE
- GR GRAB RAIL
- IV IV HOOK
- LS LIGHT SWITCH
- NA NURSE ASSIST CALL
- NC PATIENT NURSE CALL
- RCD RESIDUAL CURRENT DEVICE
- SK4 FLOOR VINYL COVERED SKIRTING
- S/SH SOAP AND SHAMPOO HOLDER
- V3 FLOOR VINYL STUDDED



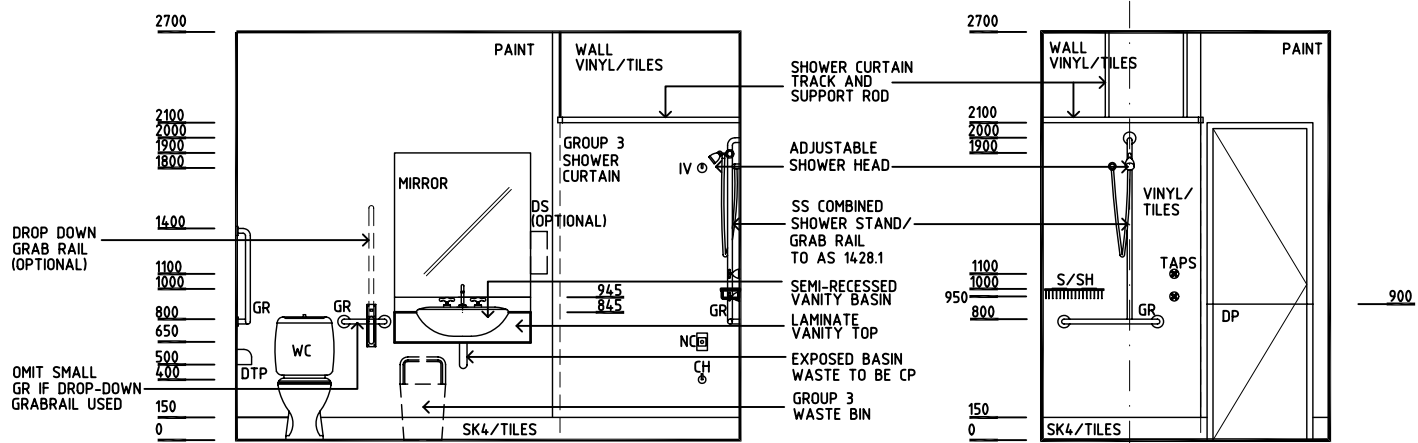
PLAN



ELEVATION 1



ELEVATION 2



ELEVATION 3

ELEVATION 4

REV	DESCRIPTION	DATE	BY	REV	DESCRIPTION	DATE	BY	REV	DESCRIPTION	DATE	BY
1	FIRST ISSUE	10.10.03	JT								
2	ROOM DIMENSIONS AND NURSE ASSIST REVISED	29.10.03	CC								
3	GENERAL REVISIONS INCL NAME CHANGE	1.6.05	AL								



HPI

DESIGNED	APPROVED	SCALE(S)	ZONE(S)
CC	DB	1:50 in A3	
CAD FILE NAME ENS-SH-A		PAPER DRAWING ID ENS-SH-A	