

AUSTRALASIAN HFG STANDARD COMPONENTS

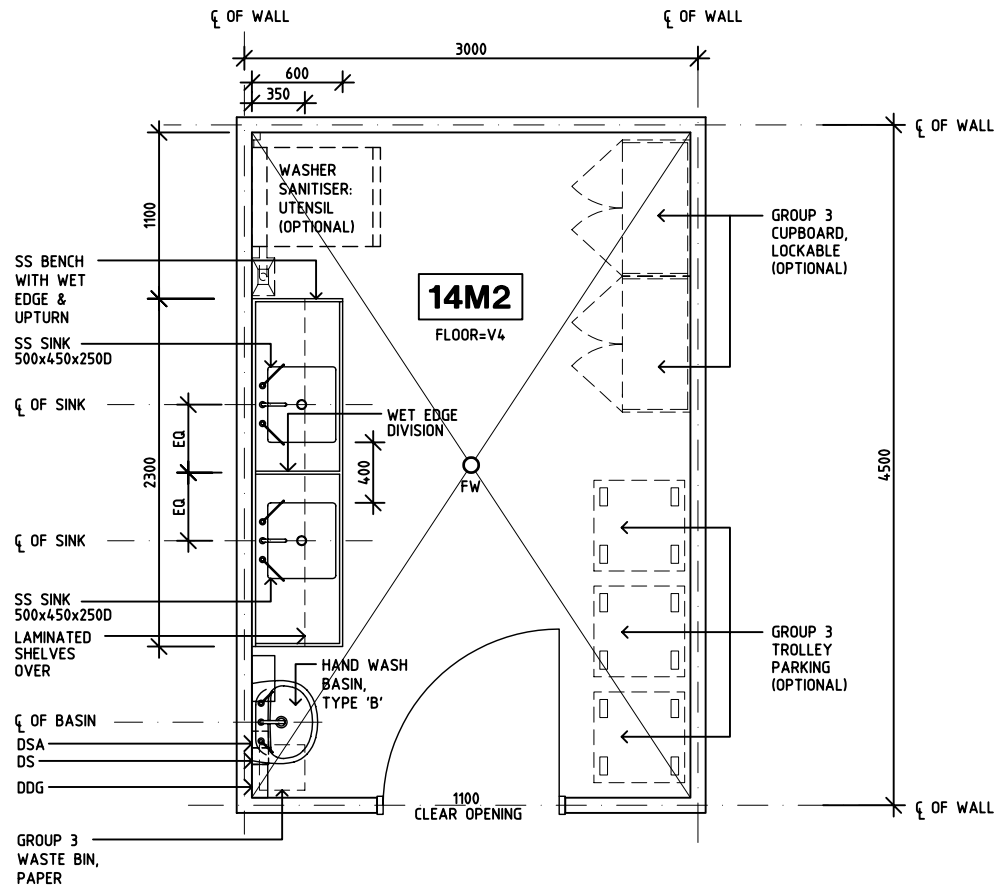
Room Layout Sheet

Room Name **Equipment Clean-Up, 14m2**

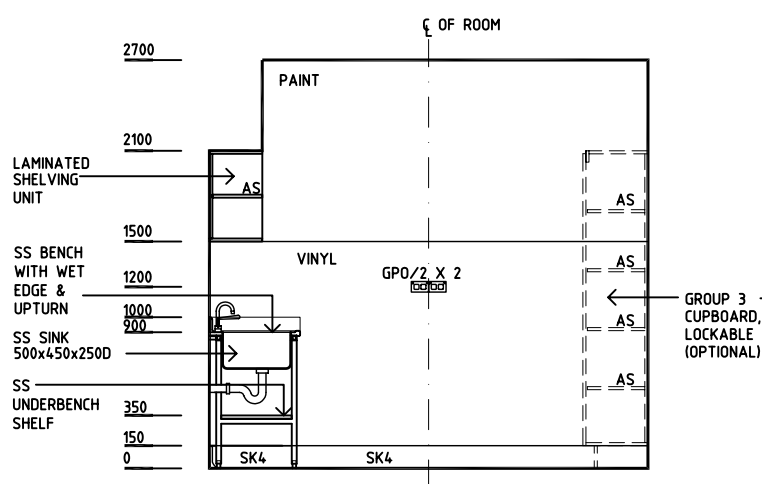
RLS Room Code **ECL-14**

RDS Room Code **ECL-14**

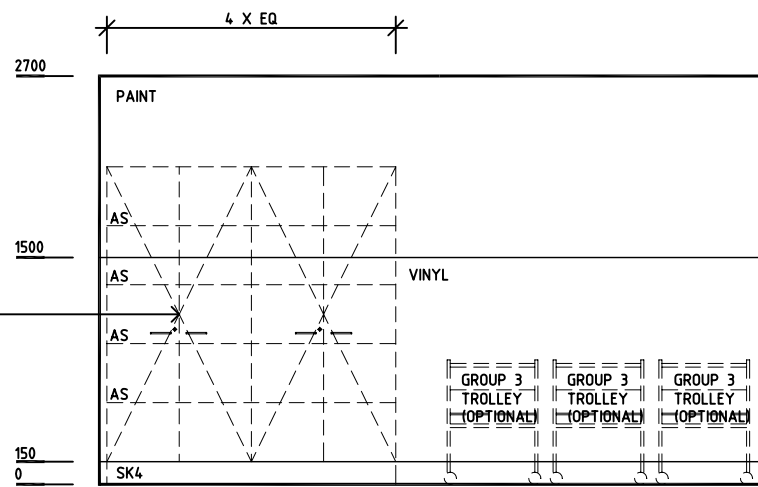
- AS ADJUSTABLE SHELF
- CP CHROME PLATED
- CW COLD WATER OUTLET
- DDG DISPENSER - DISPOSABLE GLOVES
- DHT DISPENSER - HAND TOWEL
- DP DOOR AND FRAME PROTECTION
- DS DISPENSER - SOAP
- DSA DISPENSER - SOAP, ANTISEPTIC
- FW FLOOR WASTE
- GPO/2 GENERAL PURPOSE OUTLET-DOUBLE
- GPO/S GENERAL PURPOSE OUTLET-SPECIAL
- HW HOT WATER OUTLET
- LS LIGHT SWITCH
- OP OBSERVATION PANEL
- SK4 FLOOR VINYL COVED SKIRTING
- SS STAINLESS STEEL
- V4 VINYL FLOORING, SAFETY



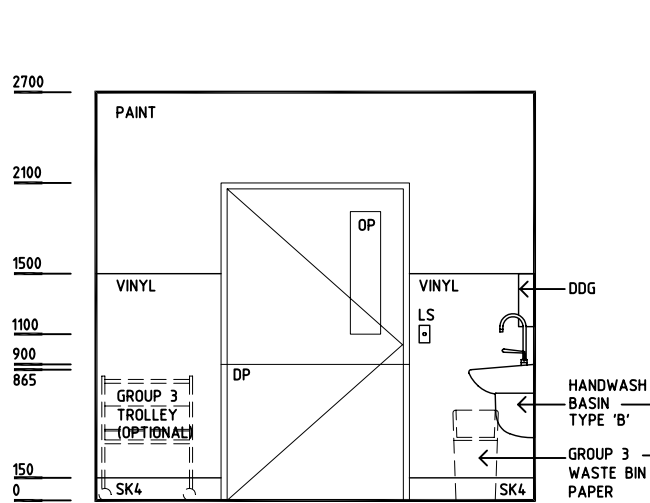
PLAN



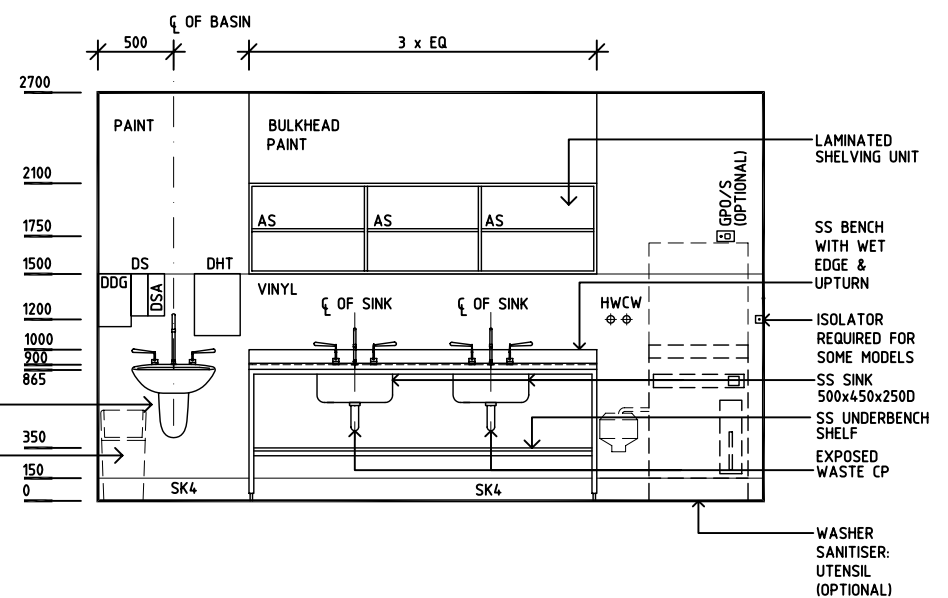
ELEVATION 1



ELEVATION 2



ELEVATION 3



ELEVATION 4

REV	DESCRIPTION	DATE	BY	REV	DESCRIPTION	DATE	BY	REV	DESCRIPTION	DATE	BY
1	FIRST ISSUE	24.04.06	AL								
2	2008 AUS HFG REVIEW, GENERAL REVISION	10.12.08	MT								



DESIGNED	APPROVED	SCALE(S)	ZONE(S)
AL/JH	DB	150 in A3	
CAD FILE NAME ECL-14		PAPER DRAWING ID ECL-14	