

AUSTRALASIAN HFG STANDARD COMPONENTS

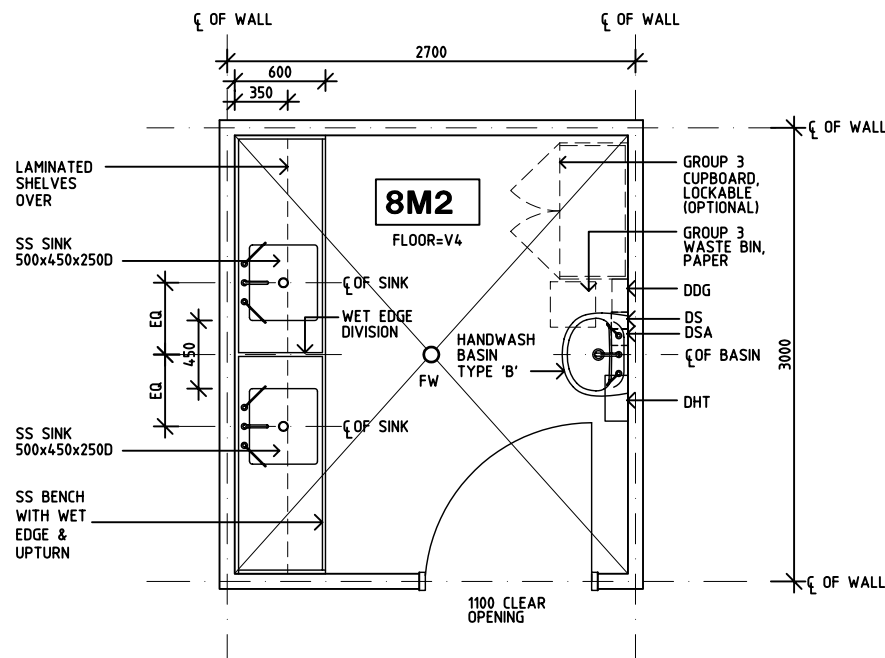
Room Layout Sheet

Room Name **Equipment Clean-Up, 8m2**

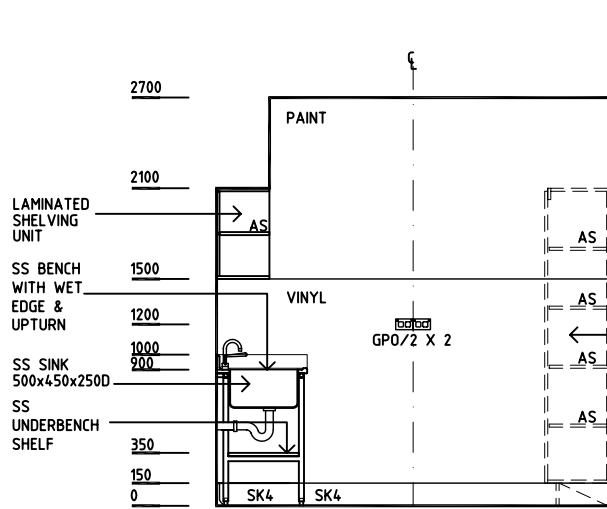
RLS Room Code **ECL-8**

RDS Room Code **ECL-8**

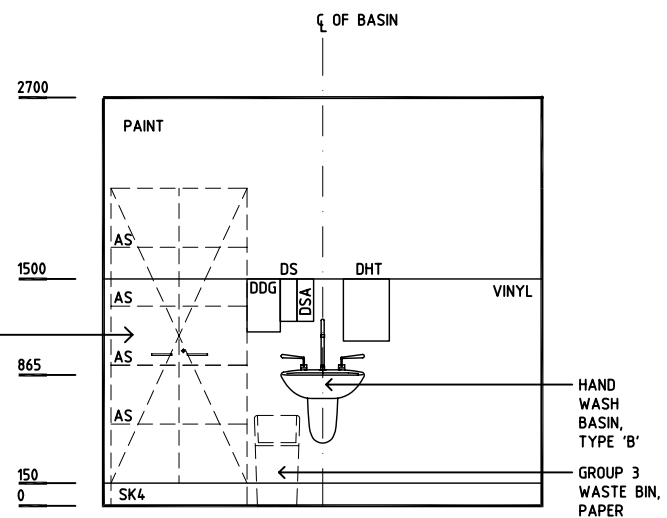
- AS ADJUSTABLE SHELF
- CP CHROME PLATED
- DDG DISPENSER - DISPOSABLE GLOVES
- DHT DISPENSER - HAND TOWEL
- DP DOOR AND FRAME PROTECTION
- DS DISPENSER - SOAP
- DSA DISPENSER - SOAP, ANTISEPTIC
- FW FLOOR WASTE
- GPO/2 GENERAL PURPOSE OUTLET-DOUBLE
- LS LIGHT SWITCH
- OP OBSERVATION PANEL
- SK4 FLOOR VINYL COVERED SKIRTING
- SS STAINLESS STEEL
- V4 VINYL FLOORING, SAFETY



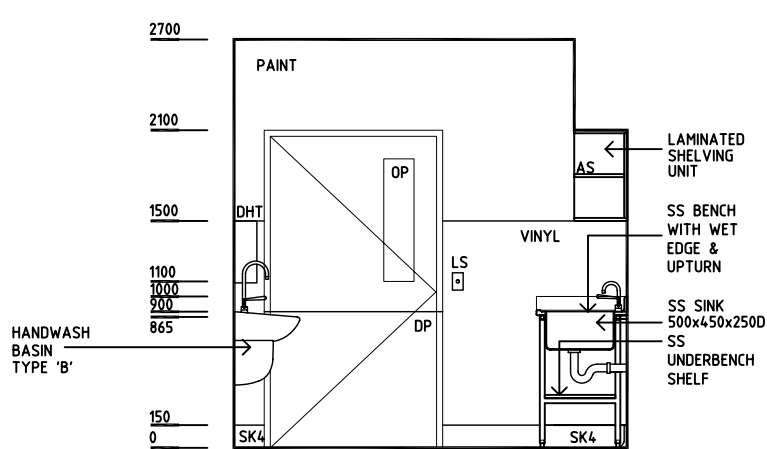
PLAN



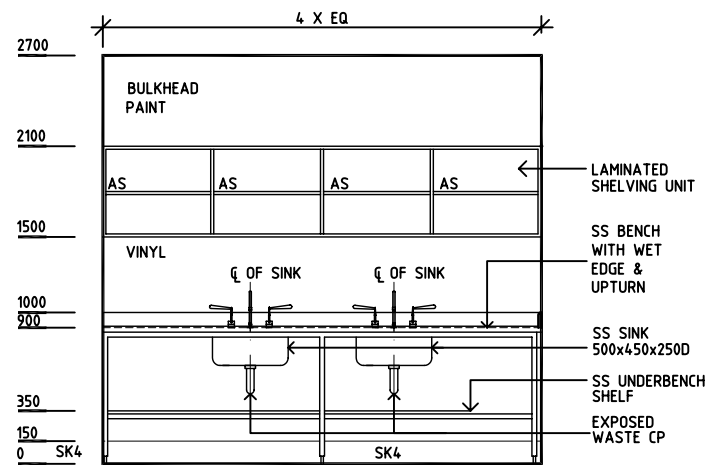
ELEVATION 1



ELEVATION 2



ELEVATION 3



ELEVATION 4

REV	DESCRIPTION	DATE	BY	REV	DESCRIPTION	DATE	BY	REV	DESCRIPTION	DATE	BY
1	FIRST ISSUE	24.4.06	AL								
2	2008 AUS HFG REVIEW, GENERAL REVISIONS	10.12.08	CT								



DESIGNED AL/JH	APPROVED DB	SCALE(S) 1:50 in A3	ZONE(S)
CAD FILE NAME ECL-8		PAPER DRAWING ID ECL-8	

This document is for advisory purpose only