

AUSTRALASIAN HFG STANDARD COMPONENTS

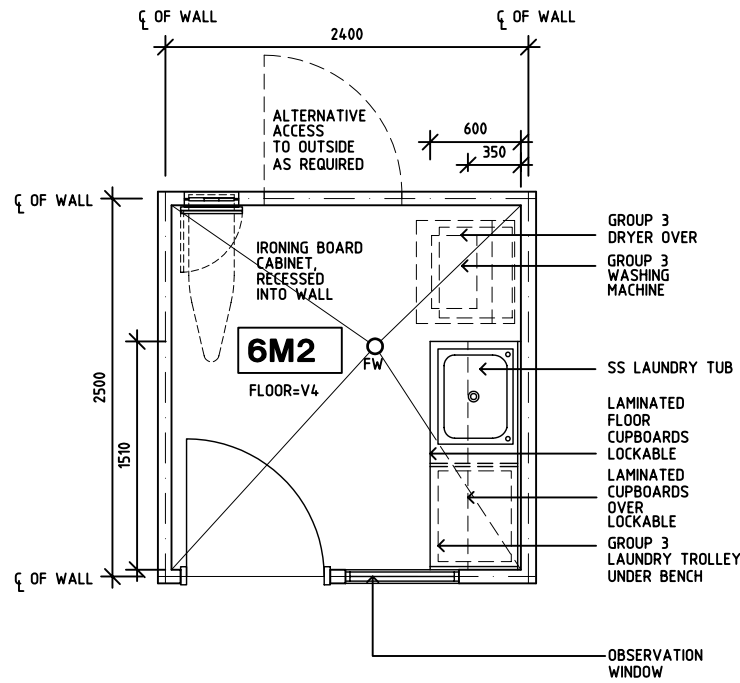
Room Layout Sheet

Room Name **Laundry - Mental Health**

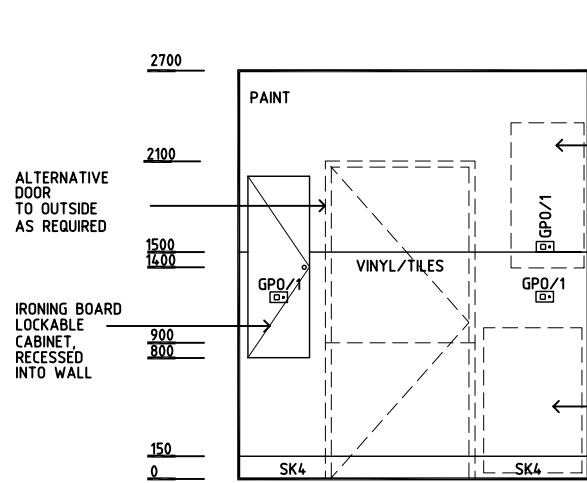
RLS Room Code **LAUN-MH**

RDS Room Code **LAUN-MH**

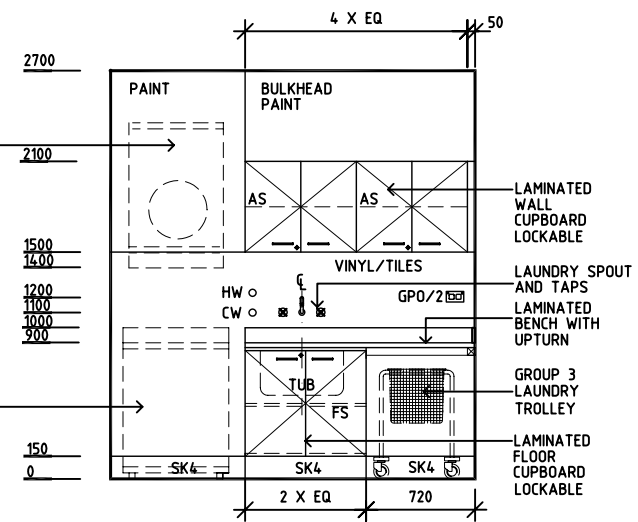
- CW COLD WATER
- DP DOOR AND DOOR FRAME PROTECTION
- FW FLOOR WASTE
- FS FIXED SHELF
- GPO/1 GENERAL PURPOSE OUTLET - SINGLE
- GPO/2 GENERAL PURPOSE OUTLET - DOUBLE
- HW HOT WATER
- LS LIGHT SWITCH
- OP OBSERVATION PANEL
- SG SAFETY GLASS
- SK4 FLOOR VINYL COVERED SKIRTING
- SS STAINLESS STEEL
- V4 VINYL FLOORING - SAFETY



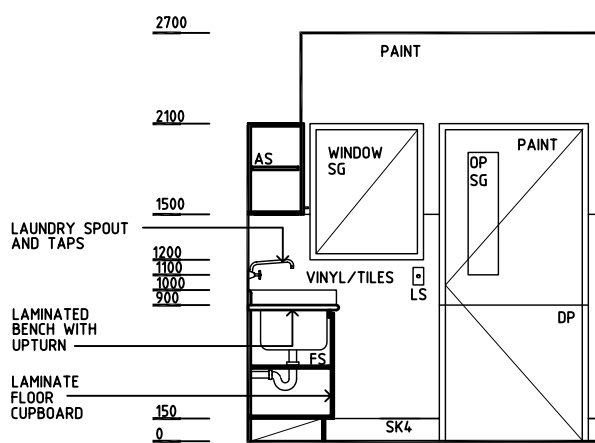
PLAN



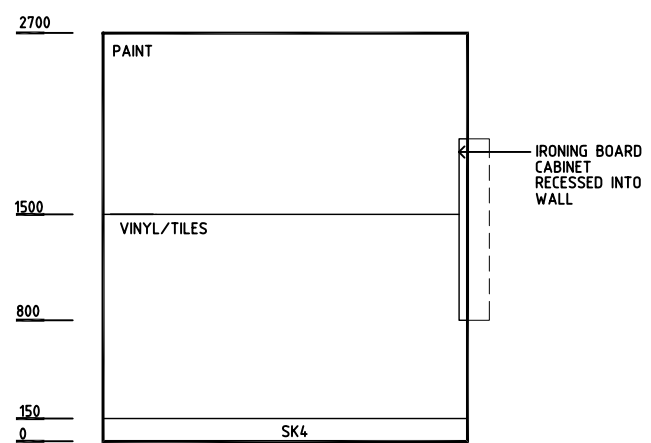
ELEVATION 1



ELEVATION 2



ELEVATION 3



ELEVATION 4

REV	DESCRIPTION	DATE	BY	REV	DESCRIPTION	DATE	BY	REV	DESCRIPTION	DATE	BY
1	FIRST ISSUE	18.7.05	AL								
2	GENERAL REVISIONS	27.4.06	ADS								



HCAMC in association with UNSW

HPI

DESIGNED	APPROVED	SCALE(S)	ZONE(S)
CC/AL/JH	DB	1:50 in A3	
CAD FILE NAME LAUN-MH		PAPER DRAWING ID LAUN-MH	