

AUSTRALASIAN HFG STANDARD COMPONENTS

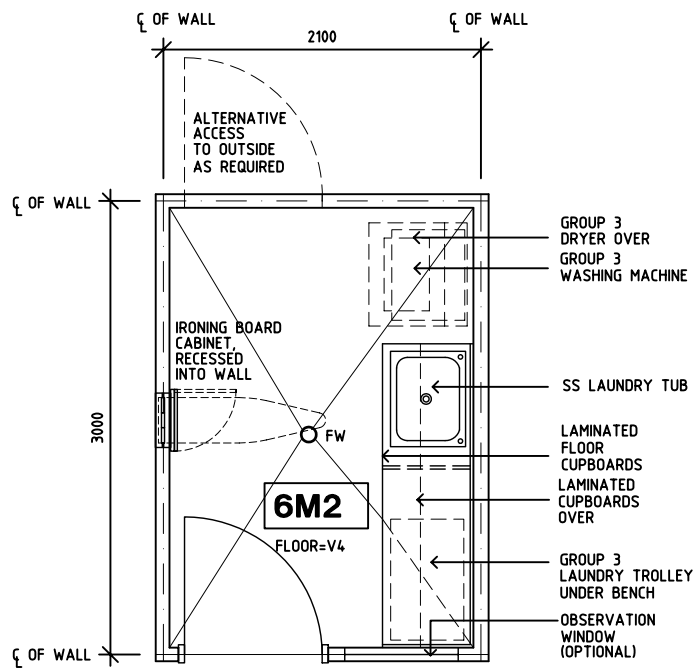
Room Layout Sheet

Room Name **Laundry - Patient**

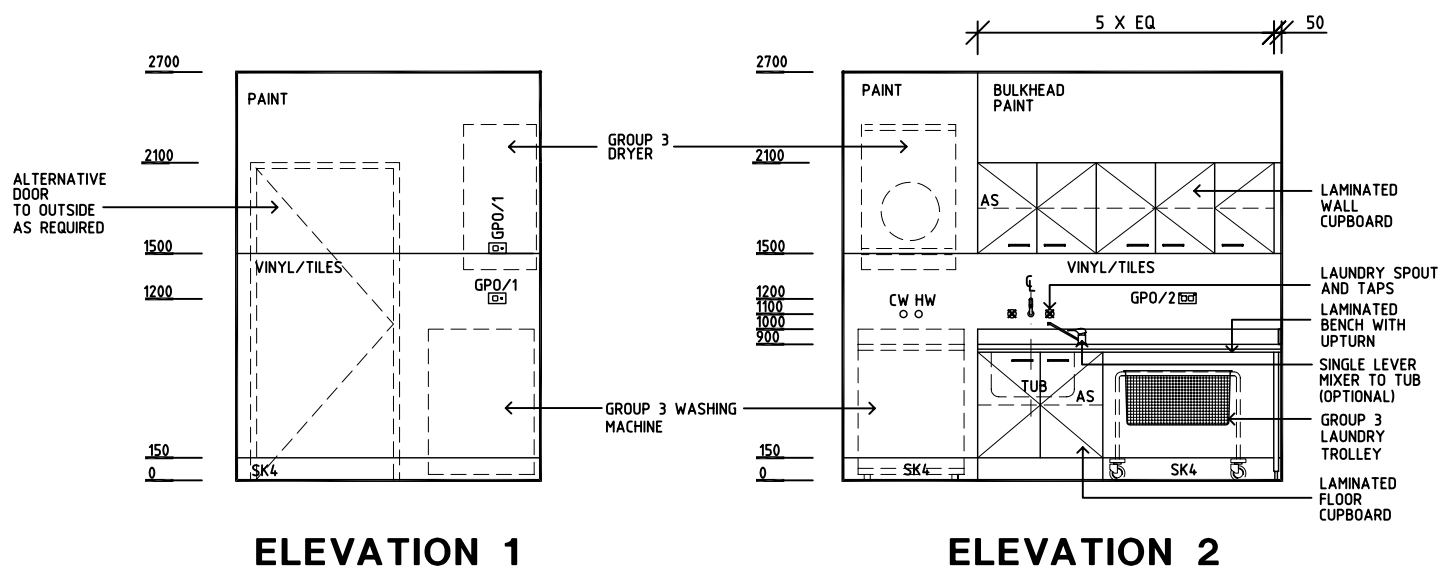
RLS Room Code **LAUN-PT**

RDS Room Code **LAUN-PT**

- CW COLD WATER
- DP DOOR AND DOOR FRAME PROTECTION
- FW FLOOR WASTE
- GPO/1 GENERAL PURPOSE OUTLET - SINGLE
- GPO/2 GENERAL PURPOSE OUTLET - DOUBLE
- HW HOT WATER
- LS LIGHT SWITCH
- OP OBSERVATION PANEL
- SK4 FLOOR VINYL COVERED SKIRTING
- SS STAINLESS STEEL
- V4 VINYL FLOORING - SAFETY

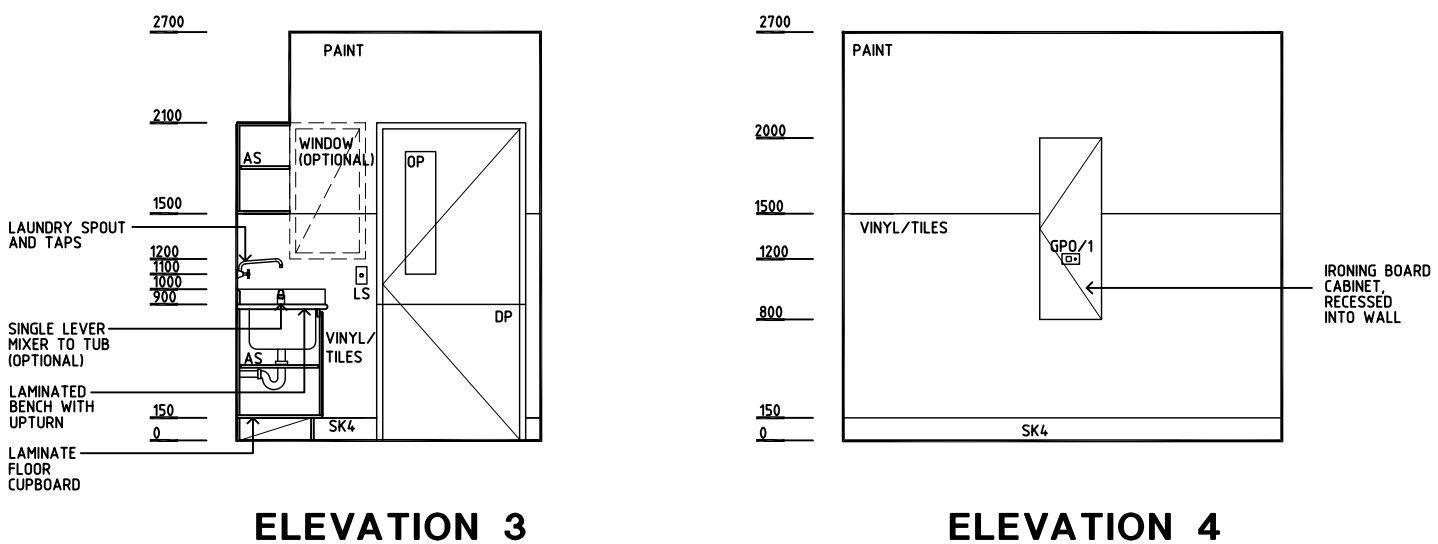


PLAN



ELEVATION 1

ELEVATION 2



ELEVATION 3

ELEVATION 4

REV	DESCRIPTION	DATE	BY	REV	DESCRIPTION	DATE	BY	REV	DESCRIPTION	DATE	BY
1	FIRST ISSUE	18.07.05	AL								
2	2008 AUS HFG REVIEW, GENERAL REVISION	10.12.08	KC								

			DESIGNED	APPROVED	SCALE(S)	ZONE(S)
			AL	DB	150 in A3	
CAD FILE NAME			PAPER DRAWING ID			
LAUN-PT			LAUN-PT			