

AUSTRALASIAN HFG STANDARD COMPONENTS

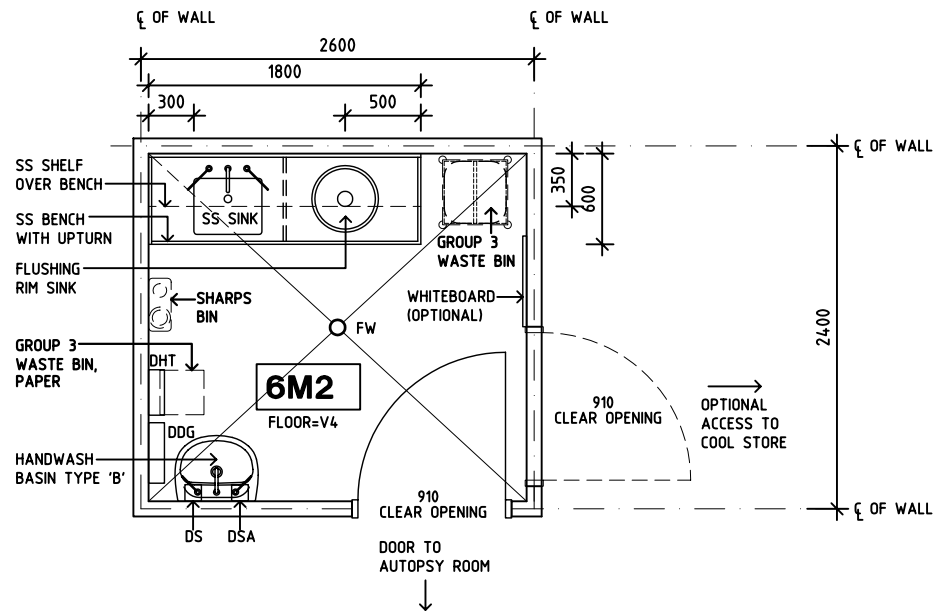
Room Layout Sheet

Room Name **Mortuary - Clean-up Area**

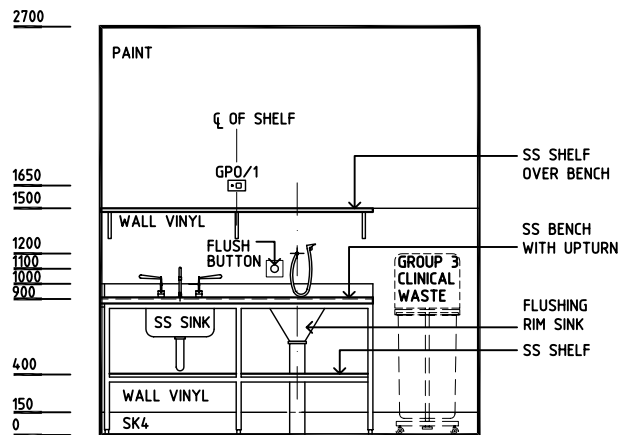
RLS Room Code **MOR-CU**

RDS Room Code **MOR-CU**

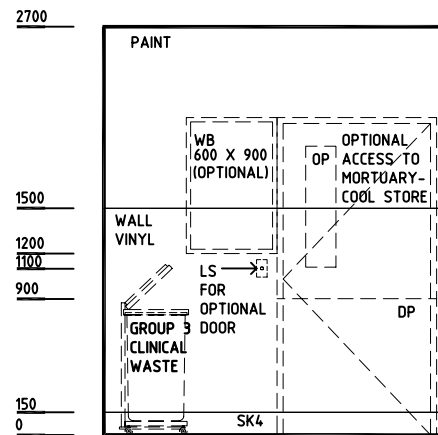
- DDG DISPENSER - DISPOSABLE GLOVE
- DHT DISPENSER - HAND TOWEL
- DP DOOR AND FRAME PROTECTION
- DSA DISPENSER - SOAP ANTISEPTIC
- DS DISPENSER - SOAP
- FW FLOOR WASTE
- GPO/1 GENERAL POWER OUTLET - SINGLE
- LS LIGHT SWITCH
- OP OBSERVATION PANEL
- SS STAINLESS STEEL
- SK4 FLOOR VINYL COVERED SKIRTING
- V4 VINYL FLOORING - SAFETY
- WB WHITEBOARD



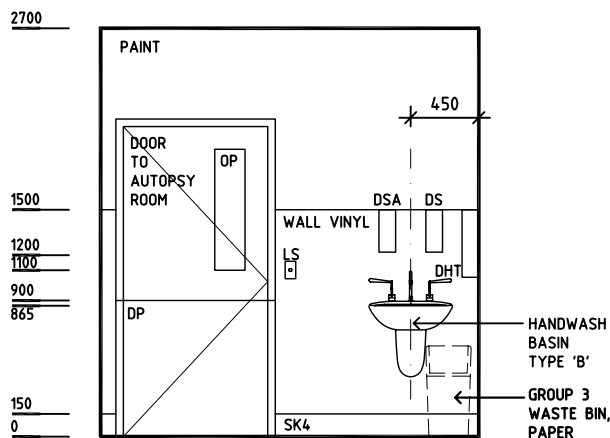
PLAN



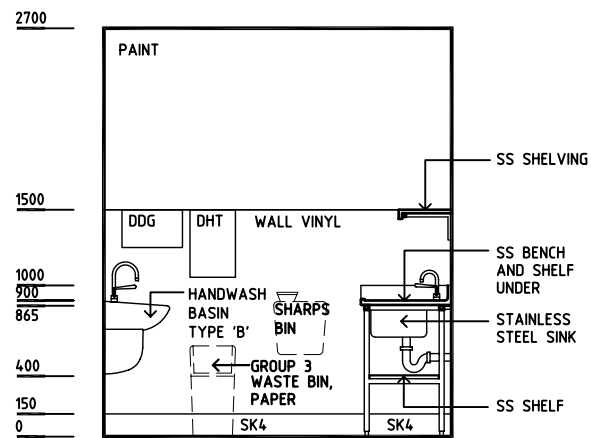
ELEVATION 1



ELEVATION 2



ELEVATION 3



ELEVATION 4

REV	DESCRIPTION	DATE	BY	REV	DESCRIPTION	DATE	BY	REV	DESCRIPTION	DATE	BY
1	FIRST ISSUE	05.05.05	HS								

	HCAMC in association with 	HPI	DESIGNED	APPROVED	SCALE(S)	ZONE(S)
			HS	DB	1:50 in A3	
			CAD FILE NAME MOR-CU		PAPER DRAWING ID MOR-CU	