

AUSTRALASIAN HFG STANDARD COMPONENTS

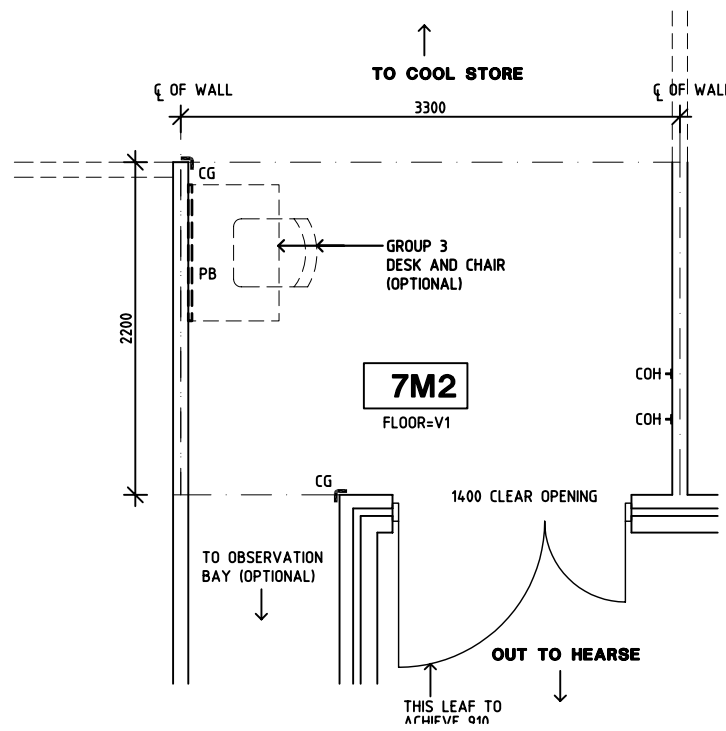
Room Layout Sheet

Room Name **Mortuary - Exit Lobby**

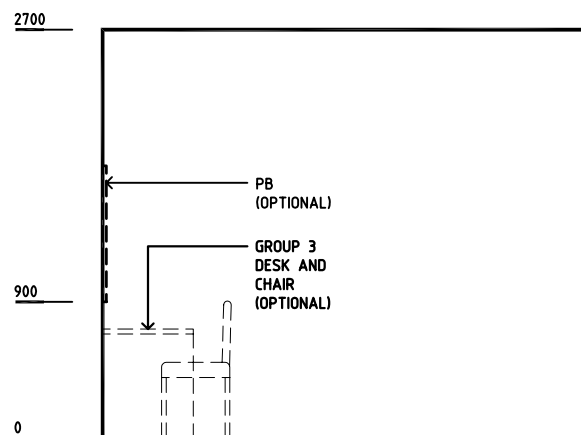
RLS Room Code **MOR-EX**

RDS Room Code **MOR-EX**

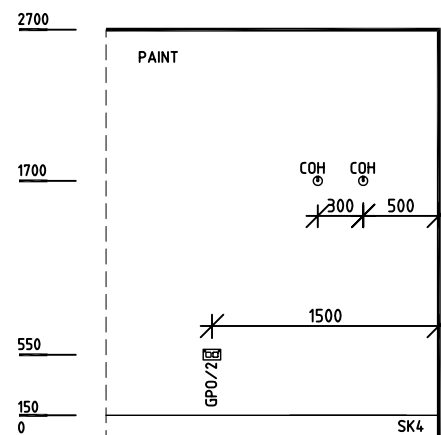
- CG CORNER GUARD
- COH COAT HOOK
- COM/2 COMMUNICATION/DATA OUTLET - DOUBLE
- DP DOOR AND DOOR FRAME PROTECTION
- GPO/2 GENERAL PURPOSE OUTLET - DOUBLE
- LS LIGHT SWITCH
- PB PINBOARD
- SK4 FLOOR VINYL COVERED SKIRTING
- V1 VINYL FLOORING, STANDARD



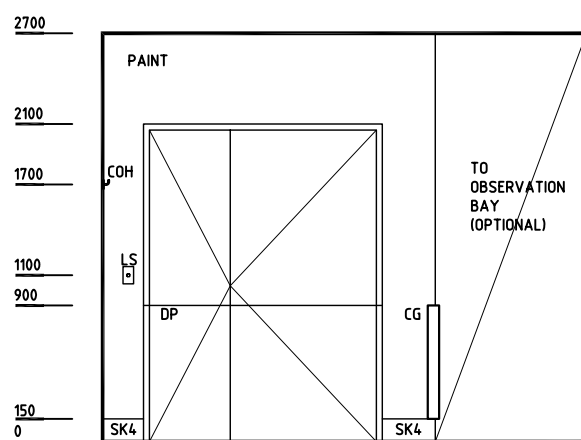
PLAN



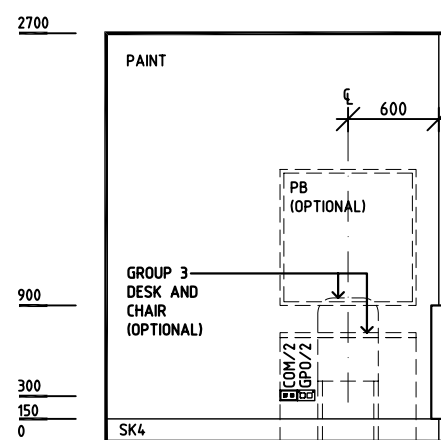
ELEVATION 1



ELEVATION 2



ELEVATION 3



ELEVATION 4

REV	DESCRIPTION	DATE	BY	REV	DESCRIPTION	DATE	BY	REV	DESCRIPTION	DATE	BY
1	FIRST ISSUE	05.05.05	HS								

Australasian HFG

HCAMC in association with **UNSW**

HPI

DESIGNED	APPROVED	SCALE(S)	ZONE(S)
HS	DB	1:50 in A3	
CAD FILE NAME MOR-EX		PAPER DRAWING ID MOR-EX	