

AUSTRALASIAN HFG STANDARD COMPONENTS

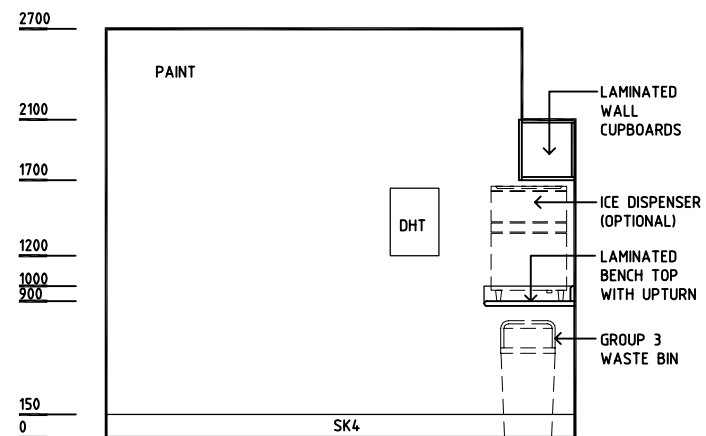
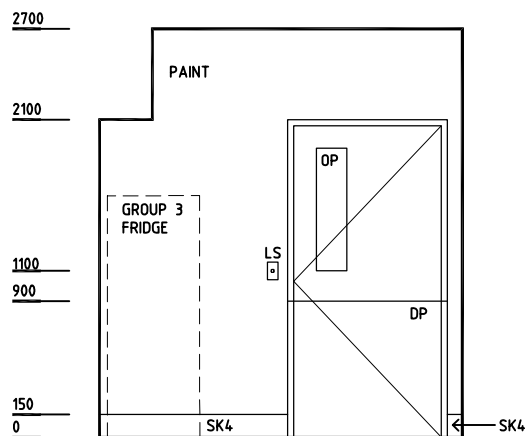
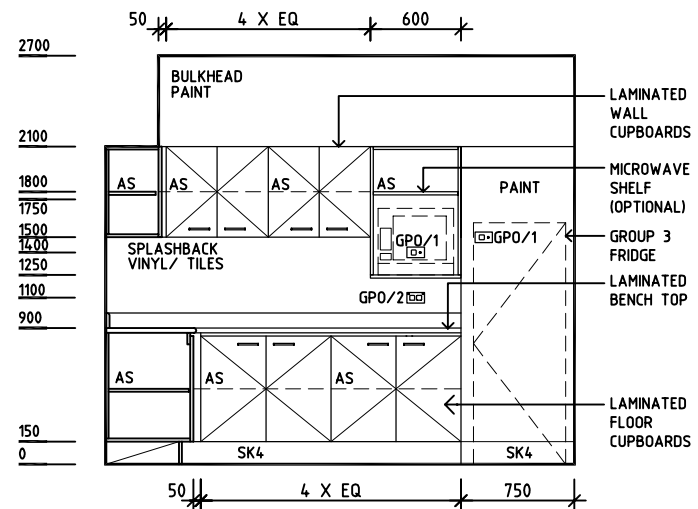
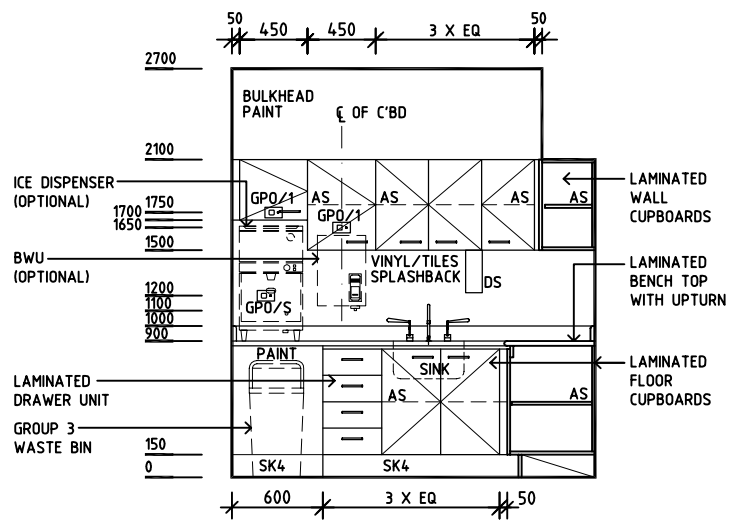
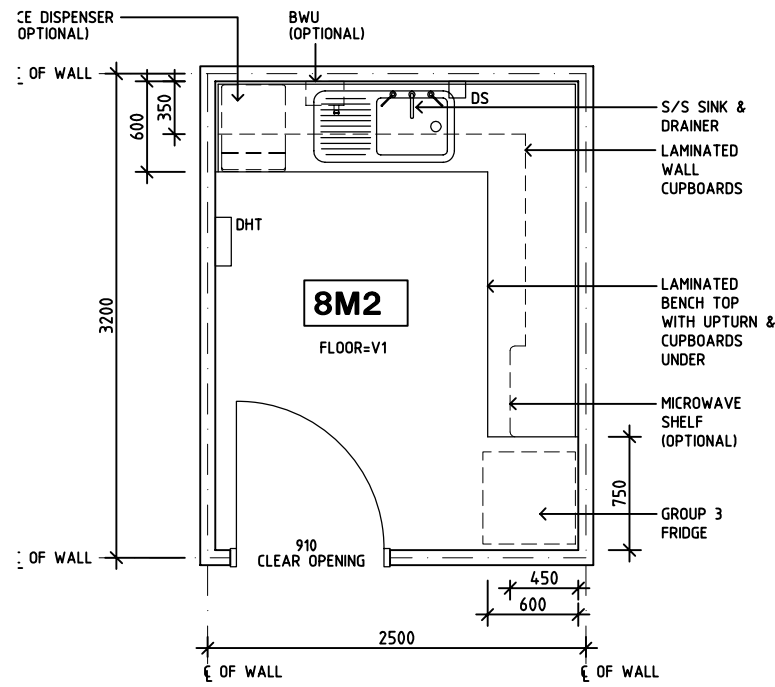
Room Layout Sheet

Room Name **Pantry**

RLS Room Code **PTRY**

RDS Room Code **PTRY**

- AS ADJUSTABLE SHELF
- BWU BOILING WATER UNIT
- DHT DISPENSER - HAND TOWEL
- DP DOOR & DOOR FRAME PROTECTION
- DS DISPENSER - SOAP
- GPO/1 GENERAL PURPOSE OUTLET-SINGLE
- GPO/2 GENERAL PURPOSE OUTLET-DOUBLE
- LS LIGHT SWITCH
- OP OBSERVATION PANEL
- SK4 FLOOR VINYL COVERED SKIRTING
- V1 VINYL FLOORING, STANDARD



REV	DESCRIPTION	DATE	BY	REV	DESCRIPTION	DATE	BY	REV	DESCRIPTION	DATE	BY
1	FIRST ISSUE	1.7.05	HS								
2	2009 AUS HFG REVIEW, MICROWAVE SHELF HT. CHANGED TO 1250MM AFFL, CUPBOARDS REVISED	10.03.09	CT								



DESIGNED CC/BJ/EH	APPROVED DB	SCALE(S) 150 in A3	ZONE(S)
CAD FILE NAME PTRY		PAPER DRAWING ID PTRY	