

AUSTRALASIAN HFG STANDARD COMPONENTS

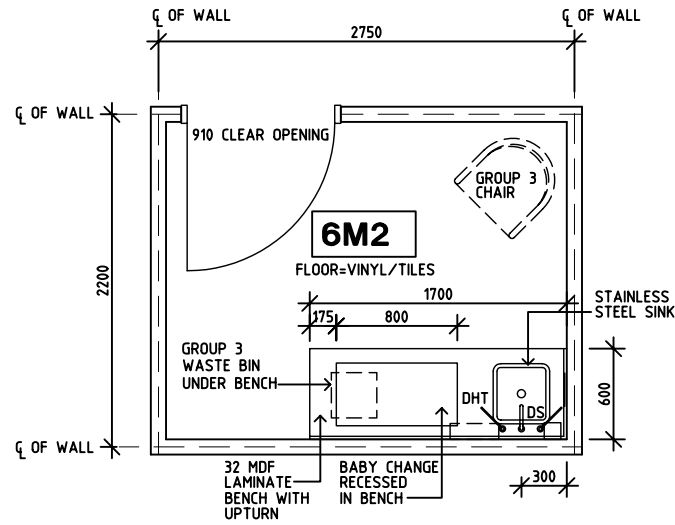
Room Layout Sheet

Room Name **Parenting Room**

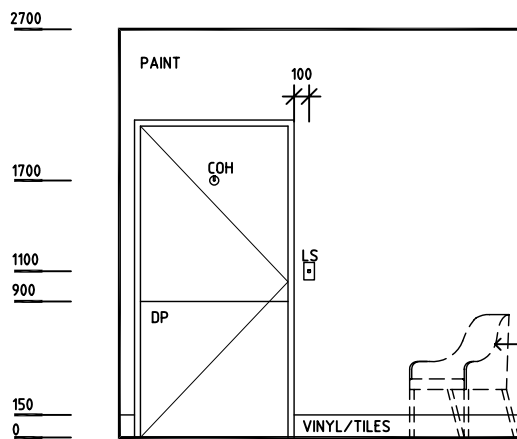
RLS Room Code **PAR**

RDS Room Code **PAR**

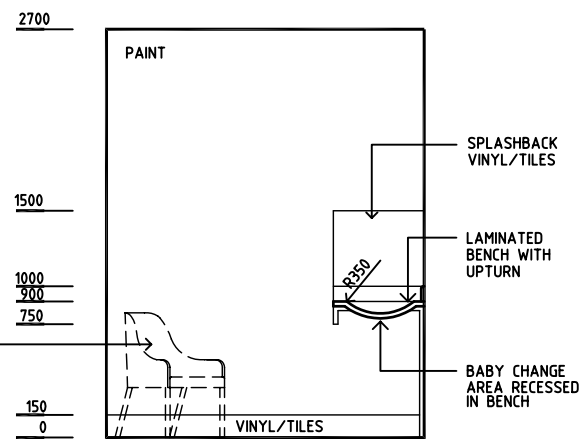
- CH COAT HOOK
- DHT DISPENSER - HAND TOWEL
- DP DOOR & FRAME PROTECTION
- DS DISPENSER - SOAP
- GPO/2 GENERAL PURPOSE OUTLET, DOUBLE
- LS LIGHT SWITCH



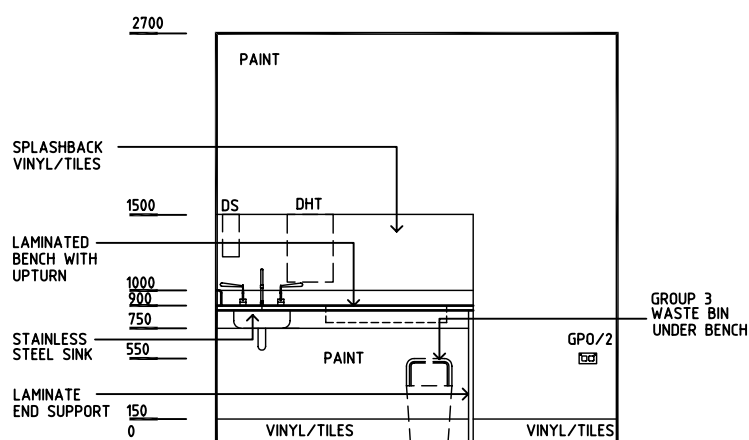
PLAN



ELEVATION 1



ELEVATION 2



ELEVATION 3

| REV | DESCRIPTION | DATE | BY | REV | DESCRIPTION | DATE | BY | REV | DESCRIPTION | DATE | BY |
|-----|-------------|---------|----|-----|-------------|------|----|-----|-------------|------|----|
| 1 | FIRST ISSUE | 10.6.05 | AL | | | | | | | | |



HPI

| DESIGNED | APPROVED | SCALE(S) | ZONE(S) |
|---------------|----------|------------------|---------|
| AL/BJ | DB | 1:50 in A3 | |
| CAD FILE NAME | | PAPER DRAWING ID | |
| PAR | | PAR | |