

# AUSTRALASIAN HFG STANDARD COMPONENTS

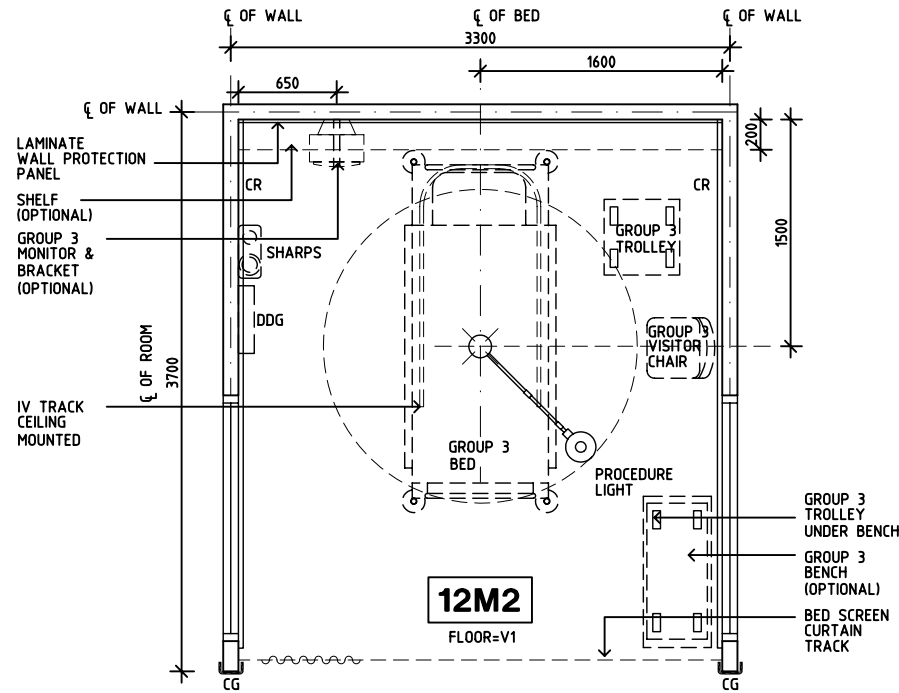
Room Layout Sheet

Room Name **Patient Bay - Acute Treatment, 12m2**

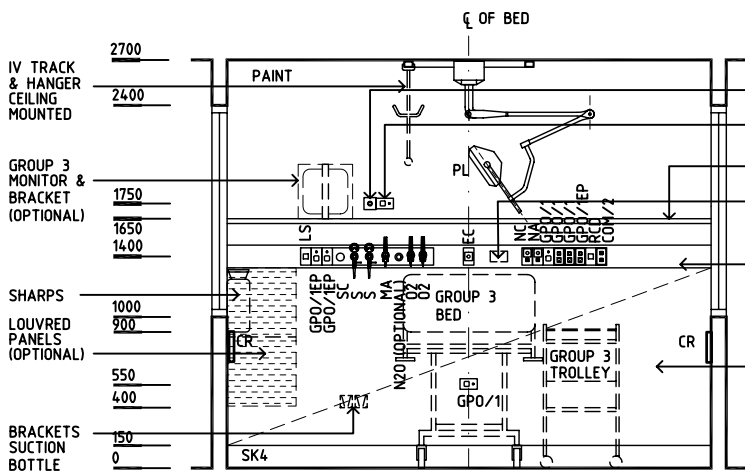
RLS Room Code **PBTR-A12**

RDS Room Code **PBTR-A12**

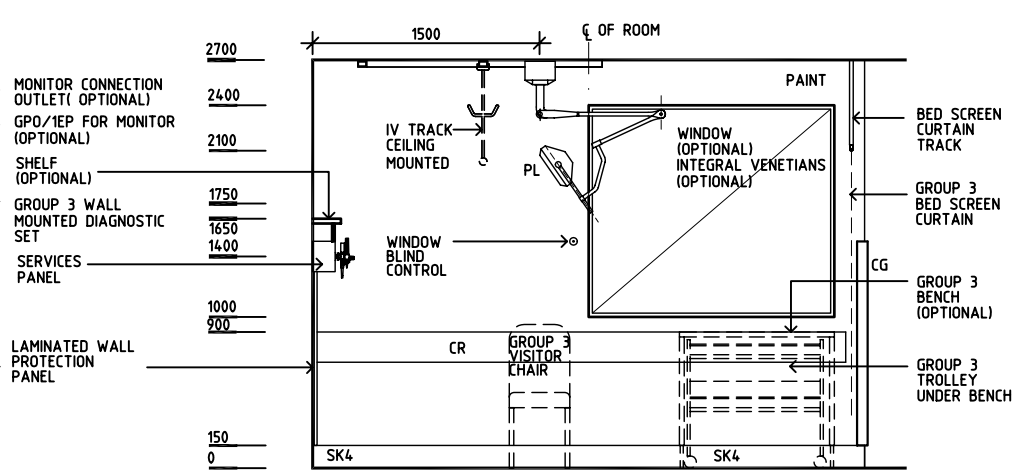
- COM/2 COMMUNICATION OUTLET - DOUBLE
- CG CORNER GUARD
- CR CRASH RAIL
- DDG DISPENSER - DISPOSABLE GLOVE
- EC EMERGENCY CALL
- FG FIXED GLAZING
- GPO/1 GENERAL PURPOSE OUTLET - SINGLE
- GPO/1 EP EMERGENCY POWE - SINGLE
- MA MEDICAL AIR
- NC PATIENT/NURSE CALL
- NA NURSE ASSIST CALL
- N20 NITROUS OXIDE
- LS LIGHT SWITCH
- O2 OXYGEN
- PL PROCEDURE LIGHT
- RCD RESIDUAL CURRENT DEVICE
- S SUCTION
- SC SCAVENGE
- SK4 FLOOR VINYL COVERED SKIRTING
- V1 VINYL FLOORING, STANDARD



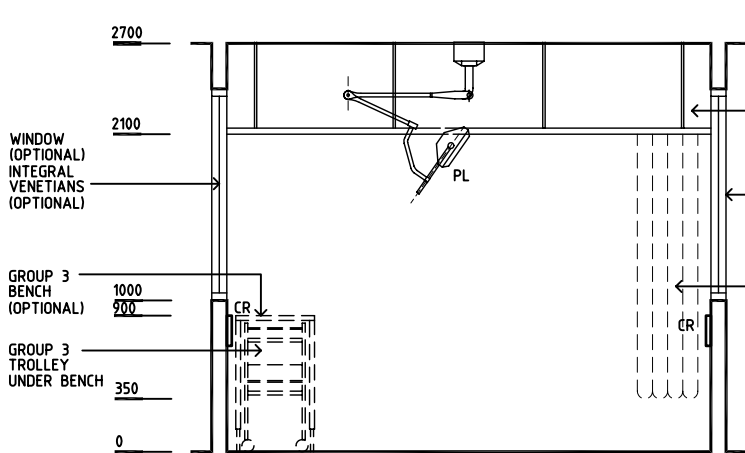
**PLAN**



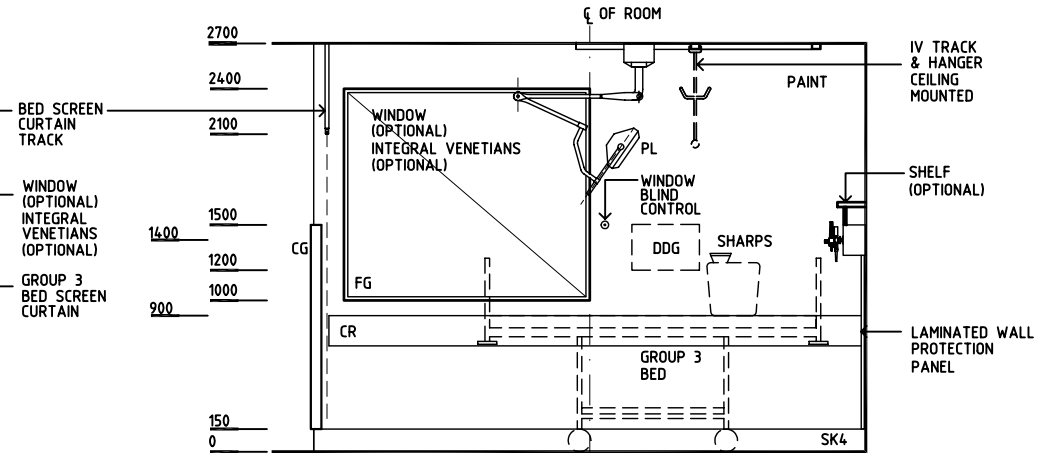
**ELEVATION 1**



**ELEVATION 2**



**ELEVATION 3**



**ELEVATION 4**

| REV | DESCRIPTION       | DATE     | BY  | REV | DESCRIPTION | DATE | BY | REV | DESCRIPTION | DATE | BY |
|-----|-------------------|----------|-----|-----|-------------|------|----|-----|-------------|------|----|
| 1   | FIRST ISSUE       | 20.11.03 | AL  |     |             |      |    |     |             |      |    |
| 2   | ROOM NAME CHANGED | 24.3.05  | JMH |     |             |      |    |     |             |      |    |
| 3   | GENERAL REVISIONS | 20.5.05  | AL  |     |             |      |    |     |             |      |    |



HPI

| DESIGNED                  | APPROVED | SCALE(S)                     | ZONE(S) |
|---------------------------|----------|------------------------------|---------|
| AL                        | DB       | 1:50 in A3                   |         |
| CAD FILE NAME<br>PBTR-A12 |          | PAPER DRAWING ID<br>PBTR-A12 |         |