

AUSTRALASIAN HFG STANDARD COMPONENTS

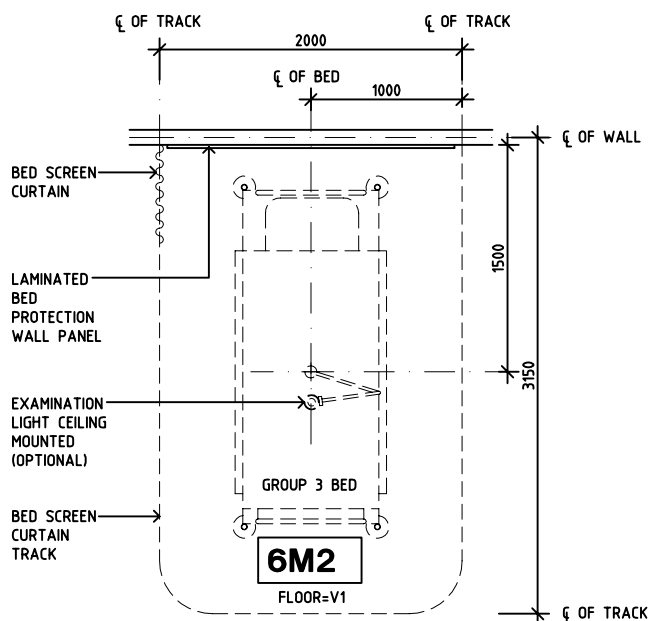
Room Layout Sheet

Room Name **Patient Bay - Holding, 6m2**

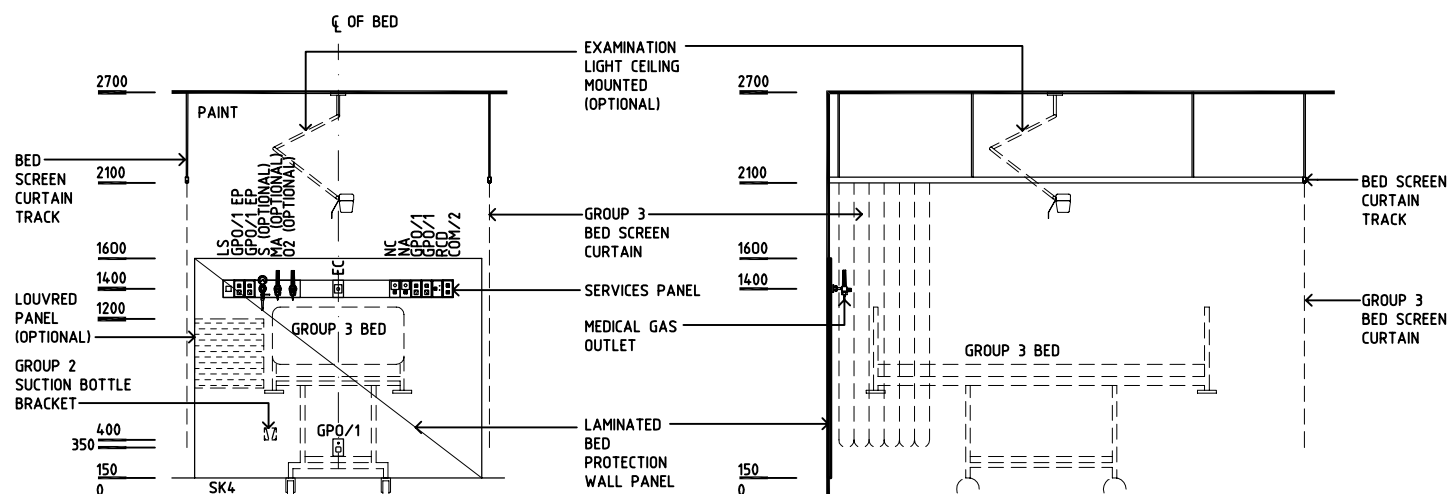
RLS Room Code **PBTR-H-6**

RDS Room Code **PBTR-H-6**

- COM/2 COMMUNICATION OUTLET - DOUBLE
- EC EMERGENCY CALL
- GPO/1 GENERAL PURPOSE OUTLET, SINGLE
- GPO/1 EP EMERGENCY POWER, SINGLE
- LS LIGHT SWITCH
- MA MEDICAL AIR
- NA NURSE ASSIST CALL
- NC PATIENT/NURSE CALL
- O2 OXYGEN
- RCD RESIDUAL CURRENT DEVICE
- S SUCTION
- SK4 FLOOR VINYL COVERED SKIRTING
- V1 VINYL FLOORING, STANDARD



PLAN



ELEVATION 1

ELEVATION 2

REV	DESCRIPTION	DATE	BY	REV	DESCRIPTION	DATE	BY	REV	DESCRIPTION	DATE	BY
1	FIRST ISSUE	11.3.05	AL								
2	SECOND ISSUE	26.4.06	ADS								
3	2009 AUS HFG REVIEW, GPO/1 ADDED	10.03.09	KC								

			DESIGNED	APPROVED	SCALE(S)	ZONE(S)
			AL/KC	DB	150 in A3	
CAD FILE NAME			PAPER DRAWING ID			
PBTR-H-6			PBTR-H-6			