

AUSTRALASIAN HFG STANDARD COMPONENTS

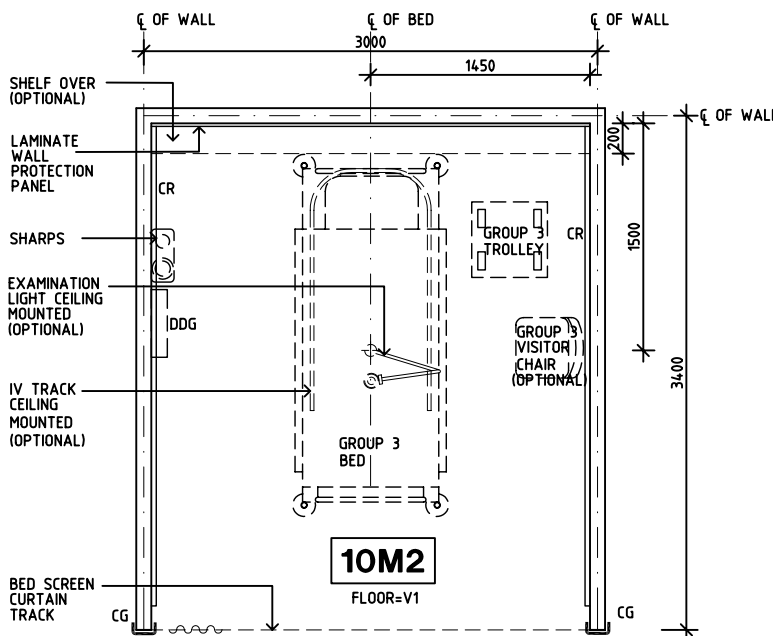
Room Layout Sheet

Room Name **Patient Bay- Non Acute Treatment, 10m2**

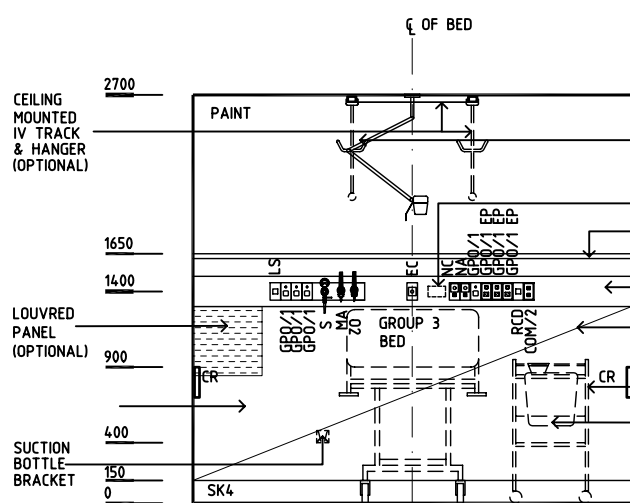
RLS Room Code **PBTR-NA**

RDS Room Code **PBTR-NA**

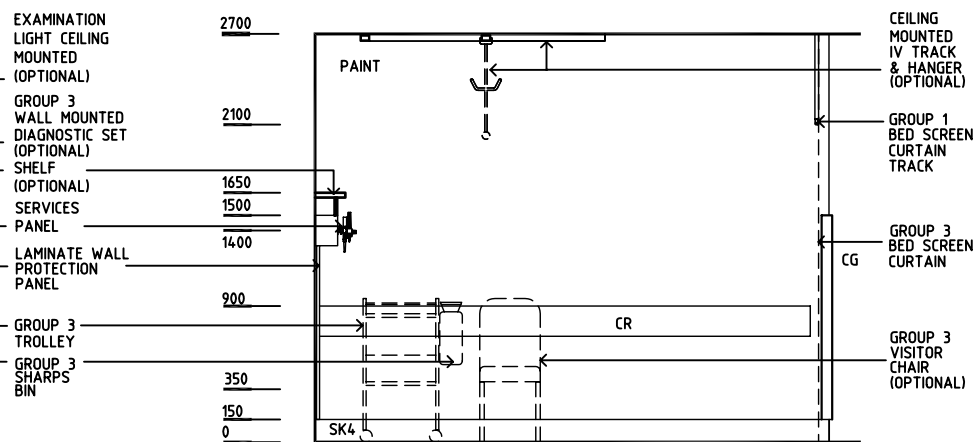
- COM/2 COMMUNICATION OUTLET - DOUBLE
- CG CORNER GUARD
- CR CRASH RAIL
- DDG DISPENSER - DISPOSABLE GLOVE
- EC EMERGENCY CALL
- GPO/1 GENERAL PURPOSE OUTLET, SINGLE
- GPO/1 EP EMERGENCY POWER, SINGLE
- GPO/C GENERAL PURPOSE OUTLET, CLEANER
- MA MEDICAL AIR
- NA NURSE ASSIST CALL
- NC PATIENT/NURSE CALL
- LS/UDL LIGHT SWITCH
- O2 OXYGEN
- RCD RESIDUAL CURRENT DEVICE
- S SUCTION
- SK4 FLOOR VINYL COVERED SKIRTING
- V1 VINYL FLOORING, STANDARD



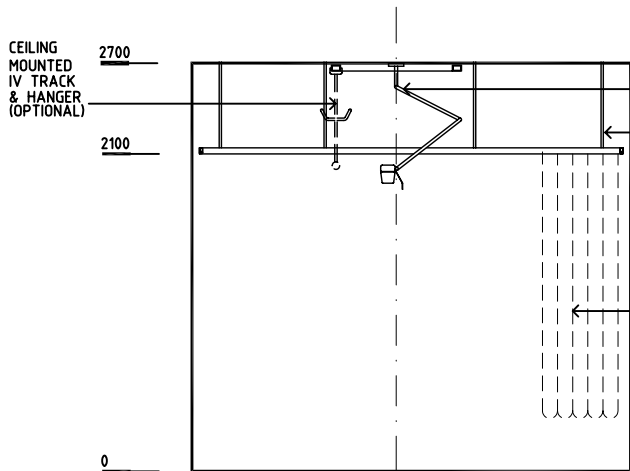
PLAN



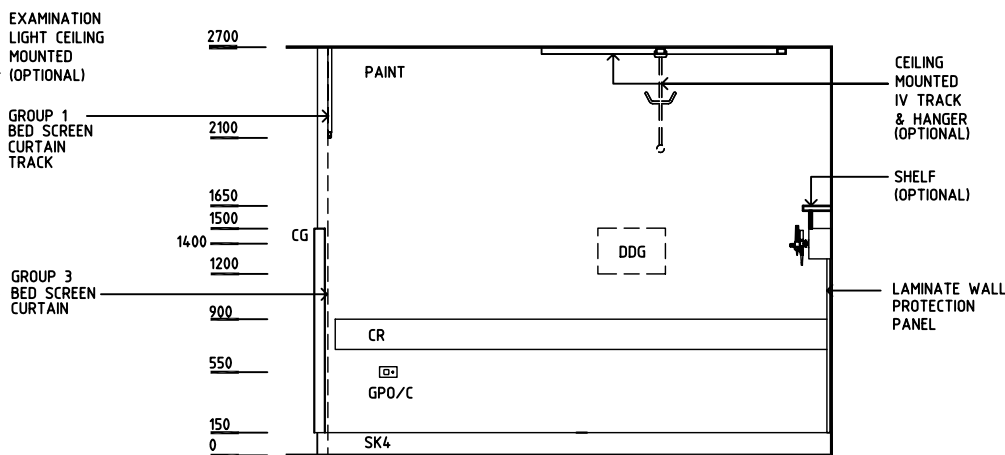
ELEVATION 1



ELEVATION 2



ELEVATION 3



ELEVATION 4

REV	DESCRIPTION	DATE	BY	REV	DESCRIPTION	DATE	BY	REV	DESCRIPTION	DATE	BY
1	FIRST ISSUE	20.11.03	AL								
2	ROOM DIMENSIONS REVISED	10.6.05	AL								



HPI

DESIGNED AL/JT	APPROVED DB	SCALE(S) 1:50 in A3	ZONE(S)
CAD FILE NAME PBTR-NA		PAPER DRAWING ID PBTR-NA	