

# AUSTRALASIAN HFG STANDARD COMPONENTS

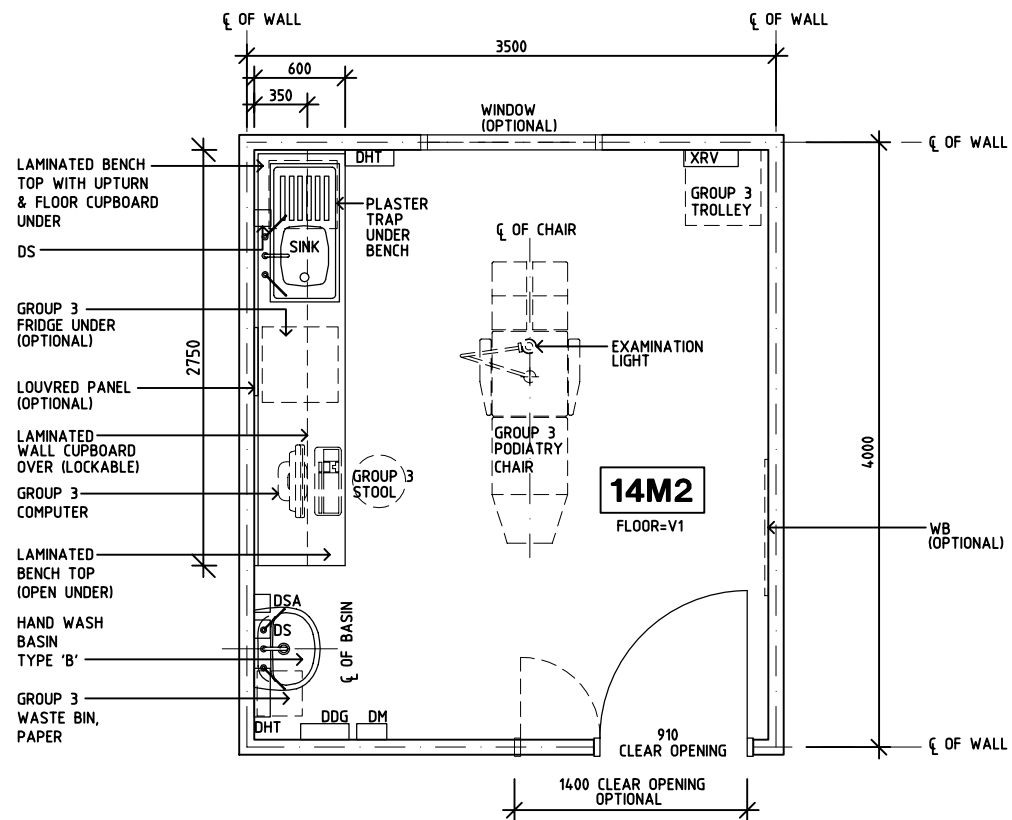
Room Layout Sheet

Room Name **Podiatry Treatment, 14m2**

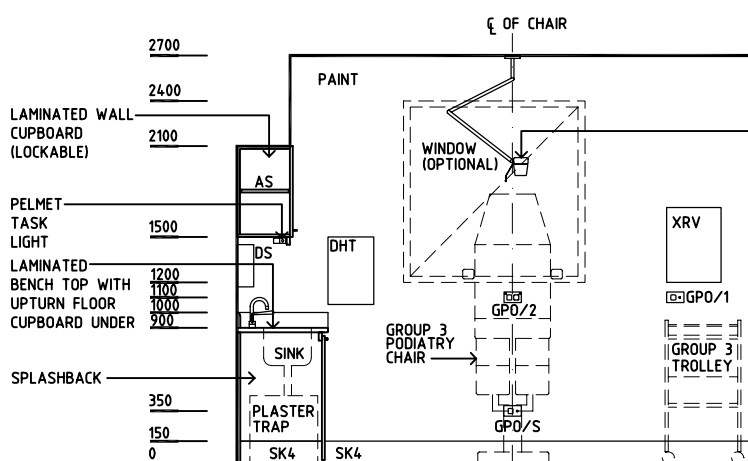
RLS Room Code **PODTR-14**

RDS Room Code **PODTR-14**

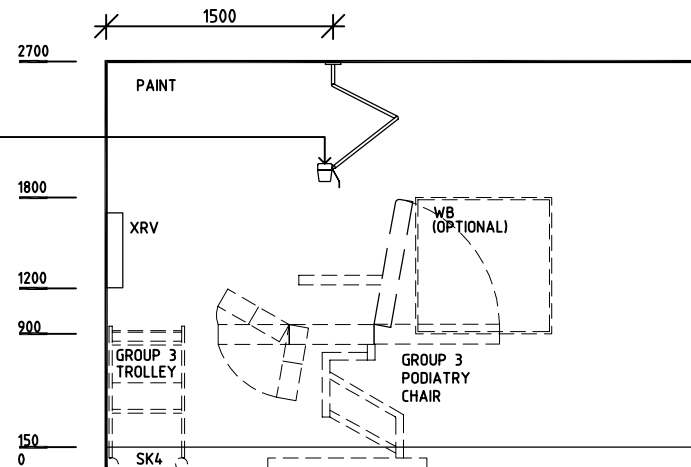
- AS ADJUSTABLE SHELF
- COM/2 COMMUNICATION OUTLET - DOUBLE
- DDG DISPENSER - DISPOSABLE GLOVES
- DHT DISPENSER - HAND TOWEL
- DM DISPENSER - MASK
- DP DOOR AND DOOR FRAME PROTECTION
- DS DISPENSER - SOAP
- DSA DISPENSER - SOAP ANTISEPTIC
- GPO/1 GENERAL PURPOSE OUTLET - SINGLE
- GPO/2 GENERAL PURPOSE OUTLET - DOUBLE
- GPO/S SPECIAL PURPOSE OUTLET
- LS LIGHT SWITCH
- OP OBSERVATION PANEL
- SK4 FLOOR VINYL COVERED SKIRTING
- V1 VINYL FLOORING, STANDARD
- WB WHITEBOARD
- XRV X-RAY VIEWER



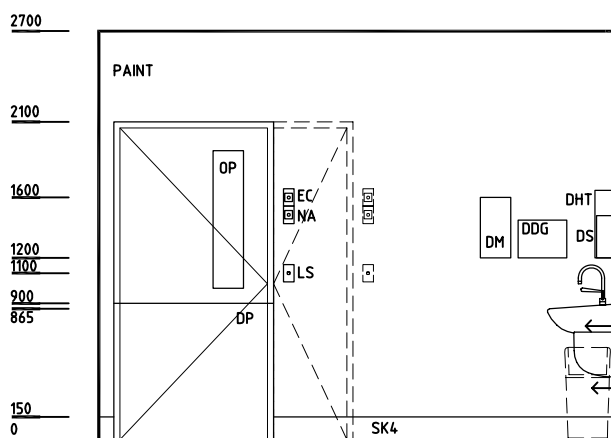
**PLAN**



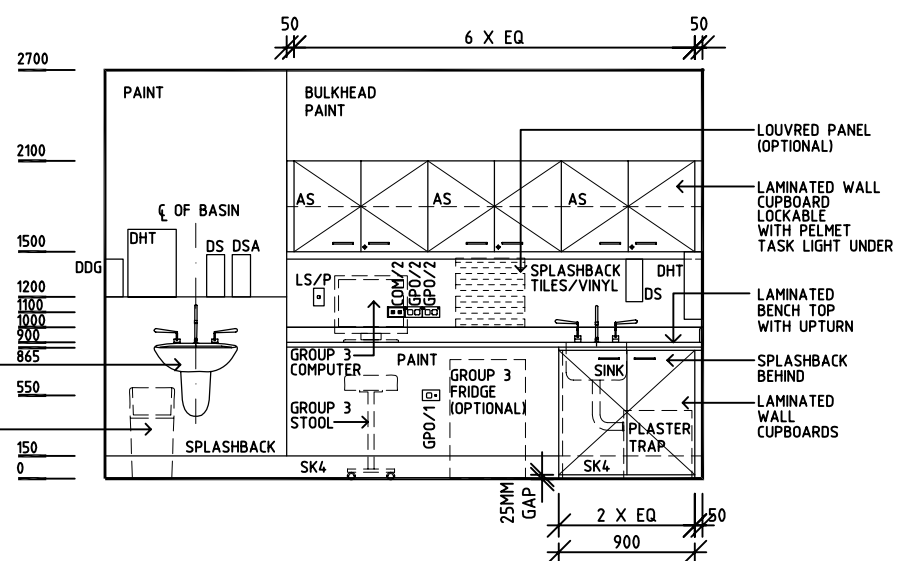
**ELEVATION 1**



**ELEVATION 2**



**ELEVATION 3**



**ELEVATION 4**

REV	DESCRIPTION	DATE	BY	REV	DESCRIPTION	DATE	BY	REV	DESCRIPTION	DATE	BY
1	FIRST ISSUE	14.8.08	NM								
2	2009 AUS HFG REVIEW, GENERAL REVISIONS	10.03.09	KC								



DESIGNED	APPROVED	SCALE(S)	ZONE(S)
AA/AL/KC	DB	150 in A3	
CAD FILE NAME PODTR-14		PAPER DRAWING ID PODTR-14	

This document is for advisory purpose only