

# AUSTRALASIAN HFG STANDARD COMPONENTS

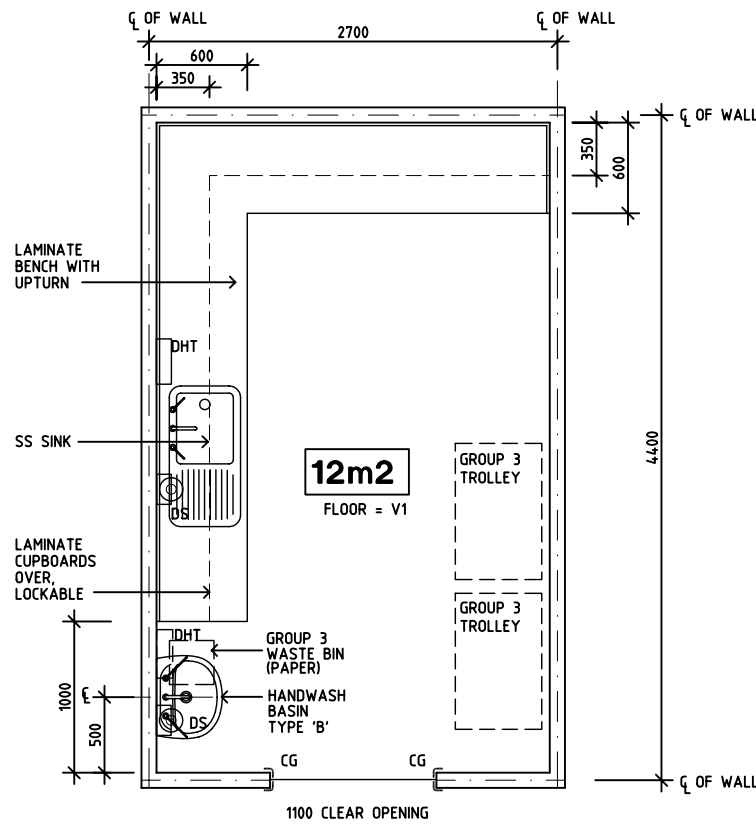
Room Layout Sheet

Room Name **Preparation Room - Non Sterile (Pharmacy)**

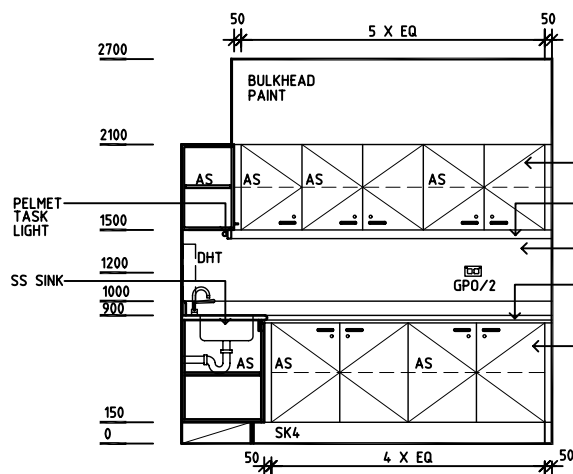
RLS Room Code **PREP**

RDS Room Code **PREP**

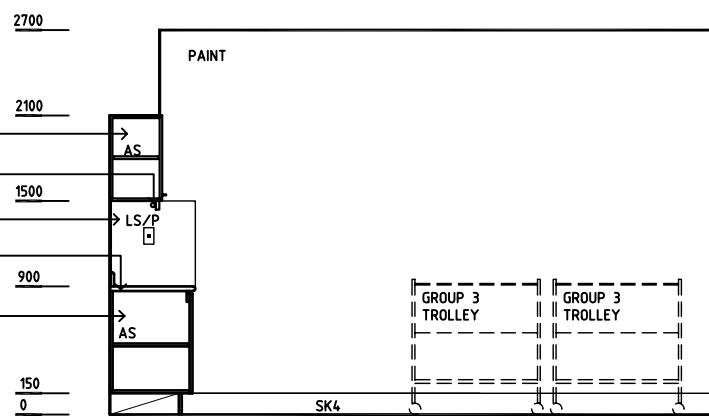
- AS ADJUSTABLE SHELF
- CG CORNER GUARD
- COM/2 COMMUNICATIONS/DATA OUTLET, DOUBLE
- DHT DISPENSER, HAND TOWEL
- DS DISPENSER, SOAP
- GPO/2 GENERAL PURPOSE OUTLET, DOUBLE
- LS/P LIGHT SWITCH - PELMET TASK LIGHT
- LS/R LIGHT SWITCH - ROOM
- SK4 FLOOR VINYL COVERED SKIRTING
- SS STAINLESS STEEL
- V1 VINYL FLOORING, STANDARD



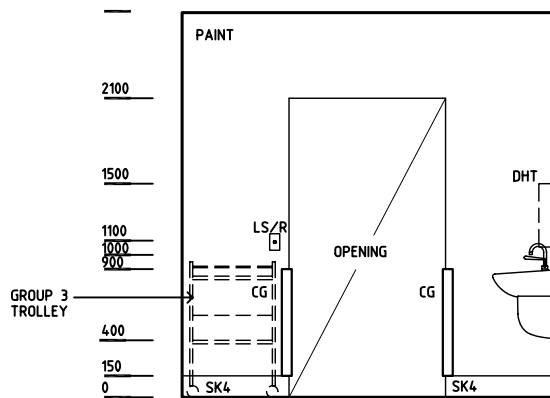
**PLAN**



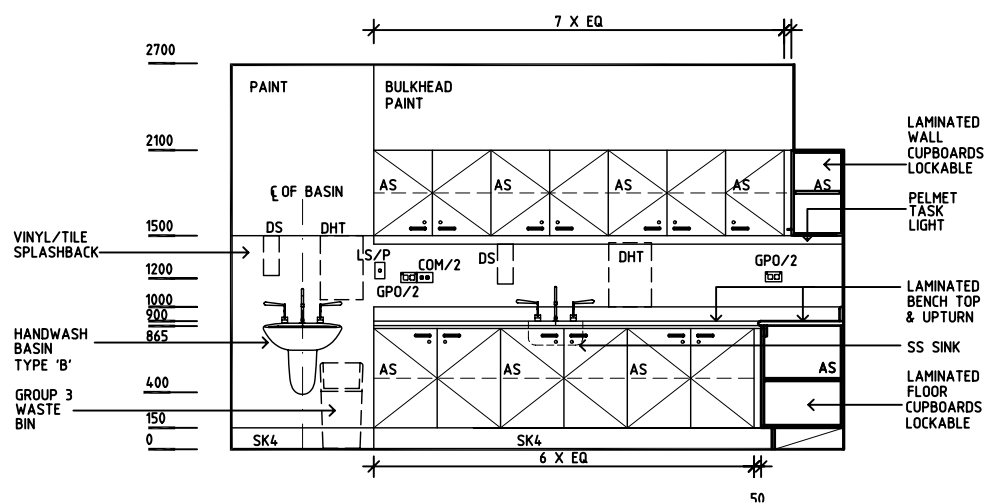
**ELEVATION 1**



**ELEVATION 2**



**ELEVATION 3**



**ELEVATION 4**

REV	DESCRIPTION	DATE	BY	REV	DESCRIPTION	DATE	BY	REV	DESCRIPTION	DATE	BY
1	FIRST ISSUE	1.7.05	HS								

**Australasian HFG**

**HCAMC** in association with **UNSW**

HPI

DESIGNED	APPROVED	SCALE(S)	ZONE(S)
AL	DB	1:50 in A3	
CAD FILE NAME PREP		PAPER DRAWING ID PREP	