

AUSTRALASIAN HFG STANDARD COMPONENTS

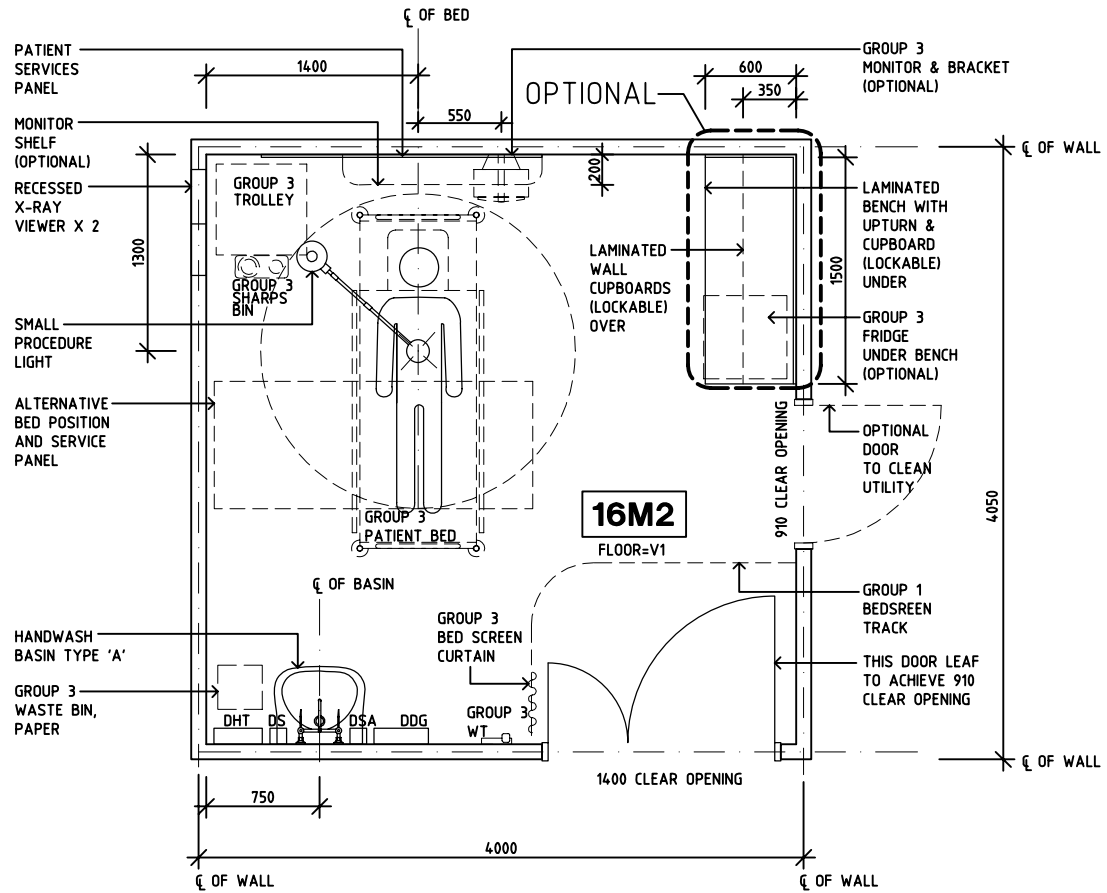
Room Layout Sheet

Room Name | Procedure Room, 16m2

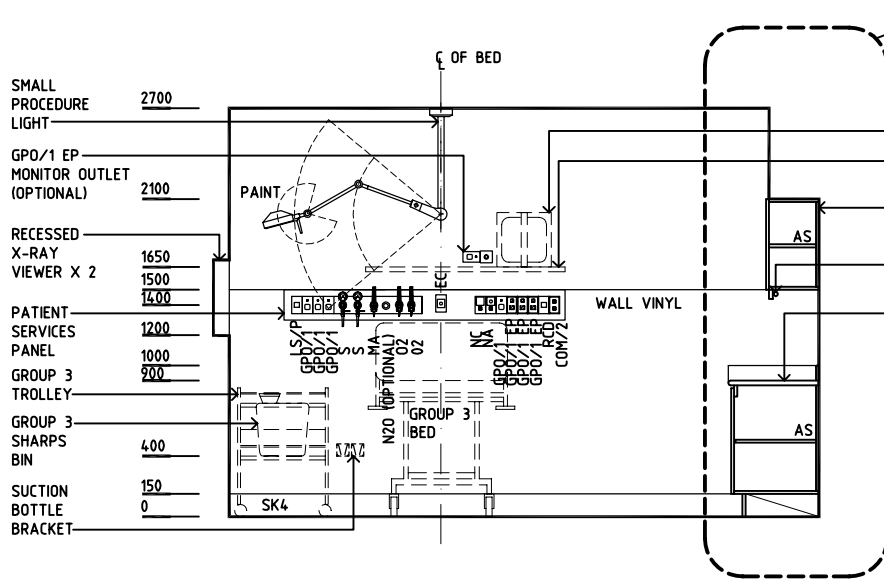
RLS Room Code PROC-16

RDS Room Code PROC-16

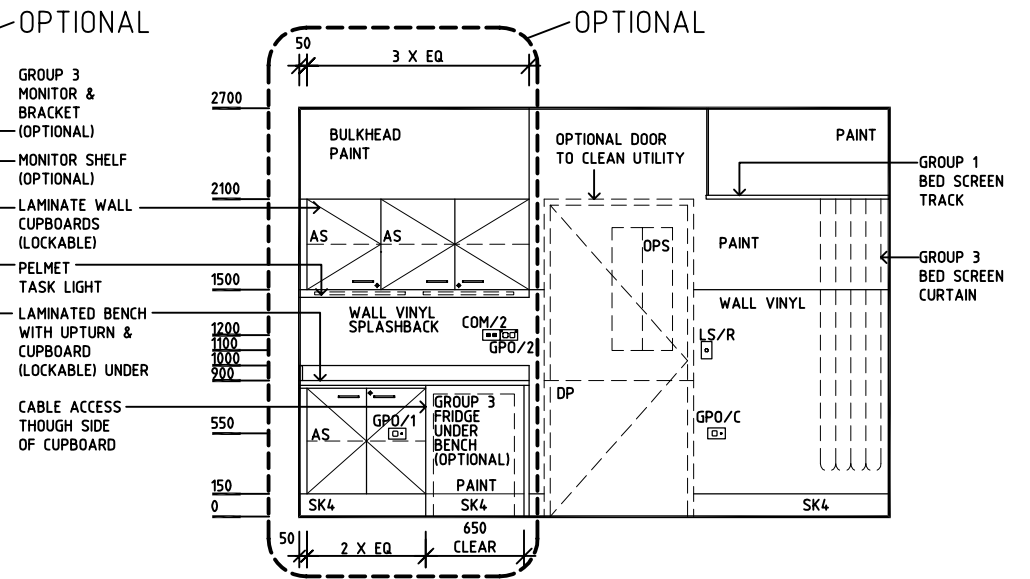
- AS ADJUSTABLE SHELF
- COM/2 COMMUNICATION OUTLET DOUBLE
- DP DOOR AND FRAME PROTECTION
- DDG DISPENSER - DISPOSABLE GLOVE
- DHT DISPENSER - HAND TOWEL
- DS DISPENSER - SOAP
- DSA DISPENSER - SOAP ANTISEPTIC
- EC EMERGENCY CALL
- GPO/1 GENERAL PURPOSE OUTLET SINGLE
- GPO/1 EP EMERGENCY POWER - SINGLE
- GPO/2 GENERAL PURPOSE OUTLET DOUBLE
- GPO/C GENERAL PURPOSE OUTLET - CLEANER
- LS/P LIGHT SWITCH - PROCEDURE LIGHT
- LS/R LIGHT SWITCH - ROOM
- MA MEDICAL AIR
- NA NURSE ASSIST CALL
- NC PATIENT/NURSE ASSIST
- NO NITROUS OXIDE
- O2 OXYGEN
- OPS OBSERVATION PANEL WITH SLIDING COVER
- RCD RESIDUAL CURRENT DEVICE
- SK4 FLOOR VINYL COVERED SKIRTING
- S SUCTION
- V1 VINYL FLOORING, STANDARD



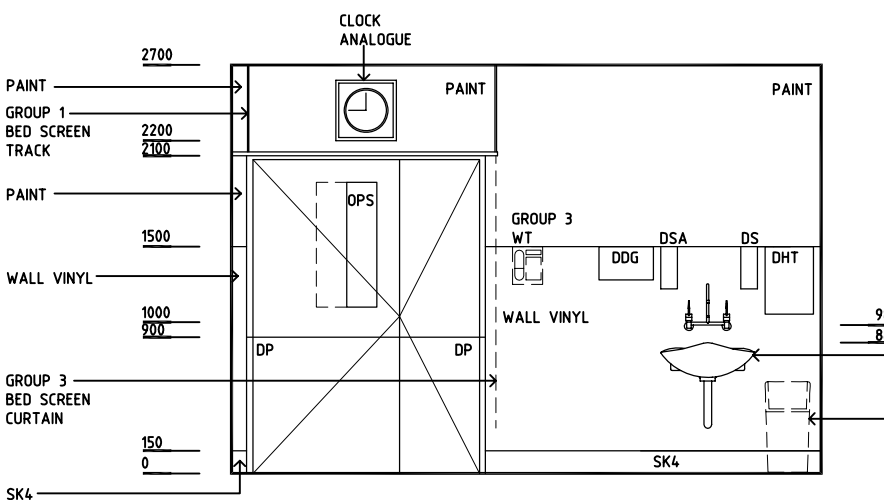
PLAN



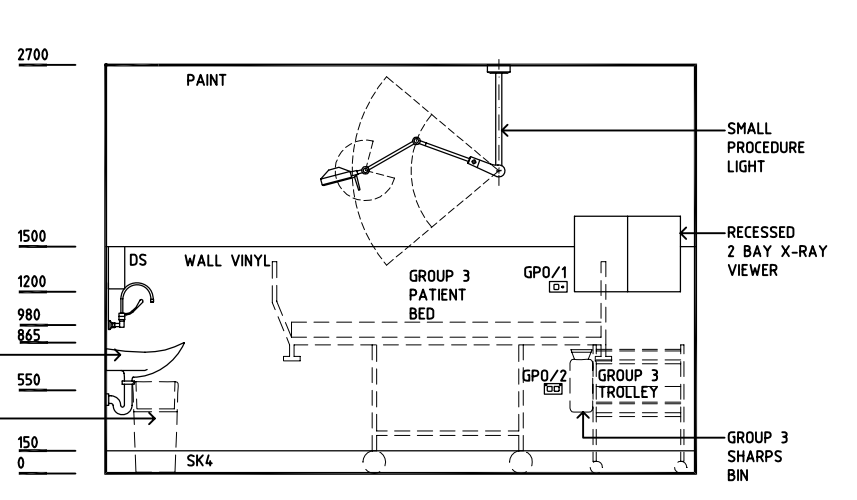
ELEVATION 1



ELEVATION 2



ELEVATION 3



ELEVATION 4

REV	DESCRIPTION	DATE	BY	REV	DESCRIPTION	DATE	BY	REV	DESCRIPTION	DATE	BY
1	FIRST ISSUE	7.6.05	AL								
2	2009 AUS HFG REVIEW, GENERAL REVISION	10.03.09	CT								

			DESIGNED	APPROVED	SCALE(S)	ZONE(S)
			AL	DB	150 in A3	
CAD FILE NAME			PAPER DRAWING ID			
PROC-16			PROC-16			

This document is for advisory purpose only