

AUSTRALASIAN HFG STANDARD COMPONENTS

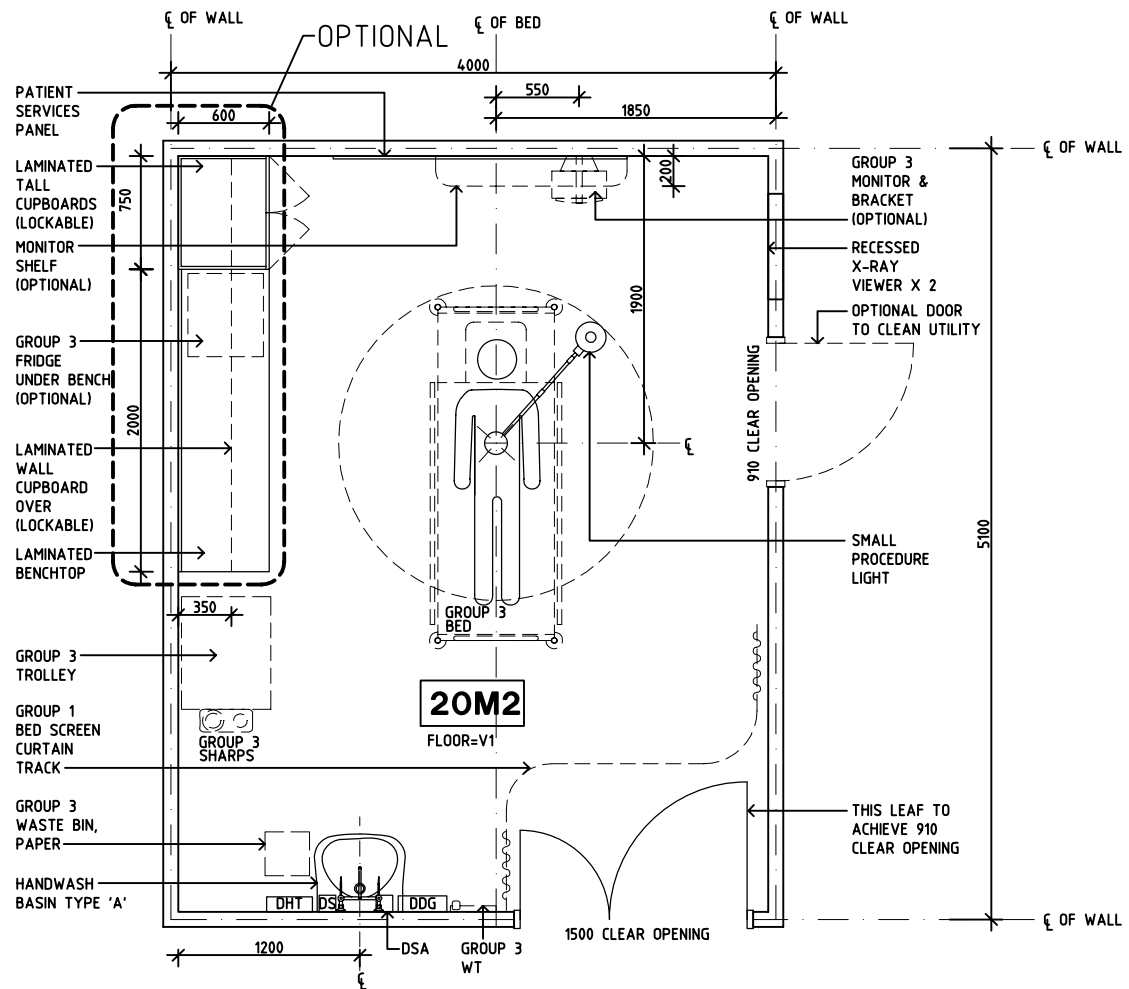
Room Layout Sheet

Room Name **Procedure Room, 20m2**

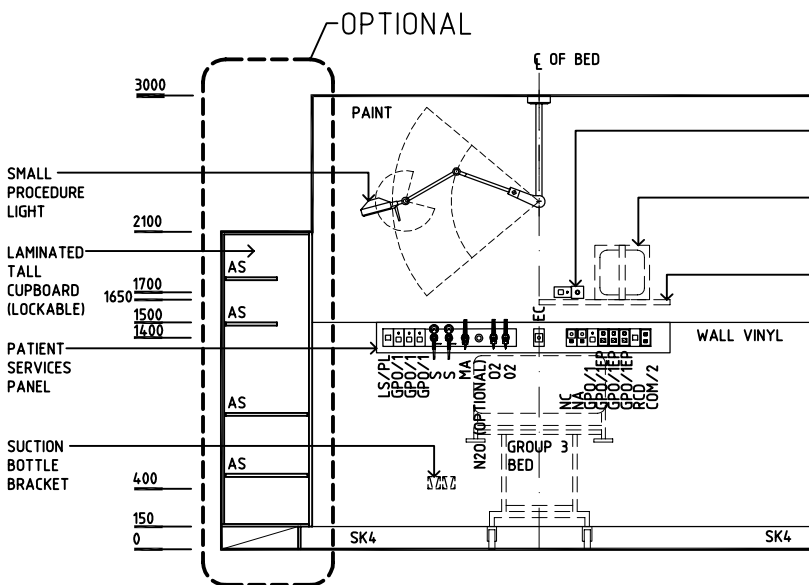
RLS Room Code **PROC-20**

RDS Room Code **PROC-20**

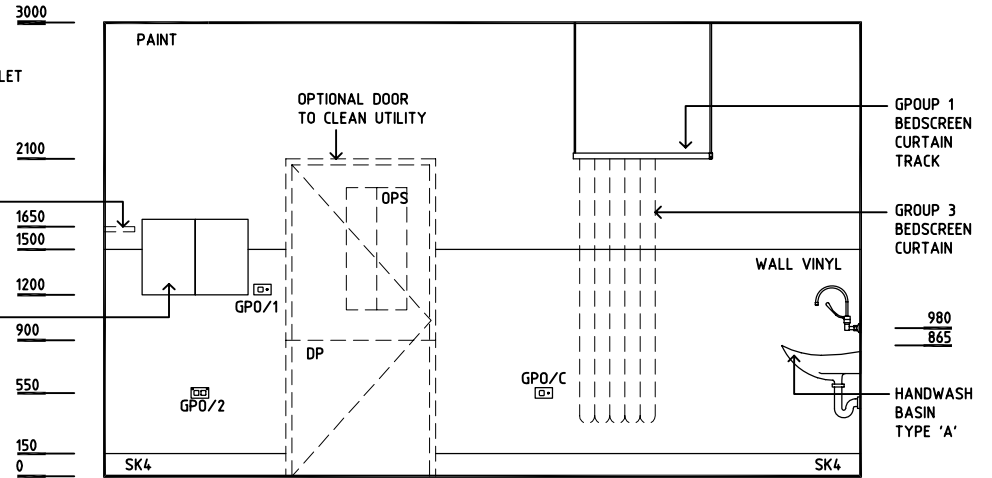
- AS ADJUSTABLE SHELF
- COM/2 COMMUNICATION OUTLET DOUBLE
- DP DOOR AND FRAME PROTECTION
- DDG DISPENSER - DISPOSABLE GLOVE
- DHT DISPENSER - HAND TOWEL
- DS DISPENSER - SOAP
- DSA DISPENSER - SOAP ANTISEPTIC
- EC EMERGENCY CALL
- GPO/1 GENERAL PURPOSE OUTLET SINGLE
- GPO/1 EP EMERGENCY POWER - SINGLE
- GPO/2 GENERAL PURPOSE OUTLET DOUBLE
- GPO/C GENERAL PURPOSE OUTLET - CLEANER
- LS/PL LIGHT SWITCH - PROCEDURE LIGHT
- LS/R LIGHT SWITCH - ROOM
- MA MEDICAL AIR
- NA NURSE ASSIST CALL
- NC PATIENT/NURSE ASSIST
- NO NITROUS OXIDE
- O2 OXYGEN
- OPS OBSERVATION PANEL WITH SLIDING COVER
- RCD RESIDUAL CURRENT DEVICE
- SK4 FLOOR VINYL COVERED SKIRTING
- S SUCTION
- V1 VINYL FLOORING, STANDARD



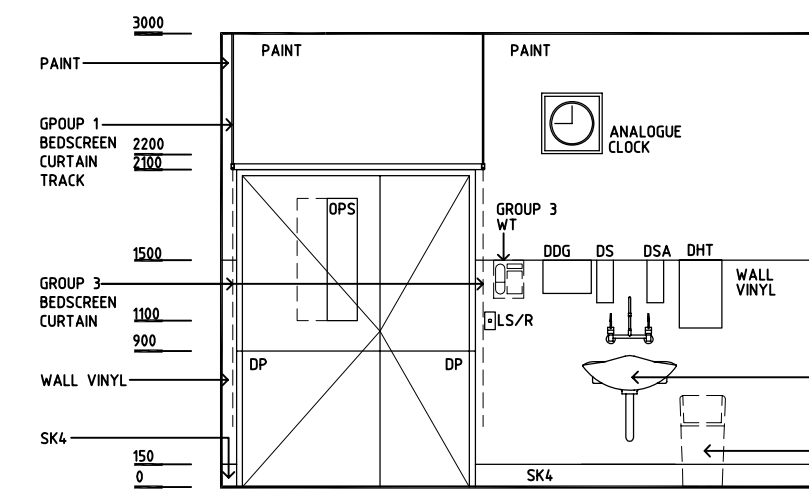
PLAN



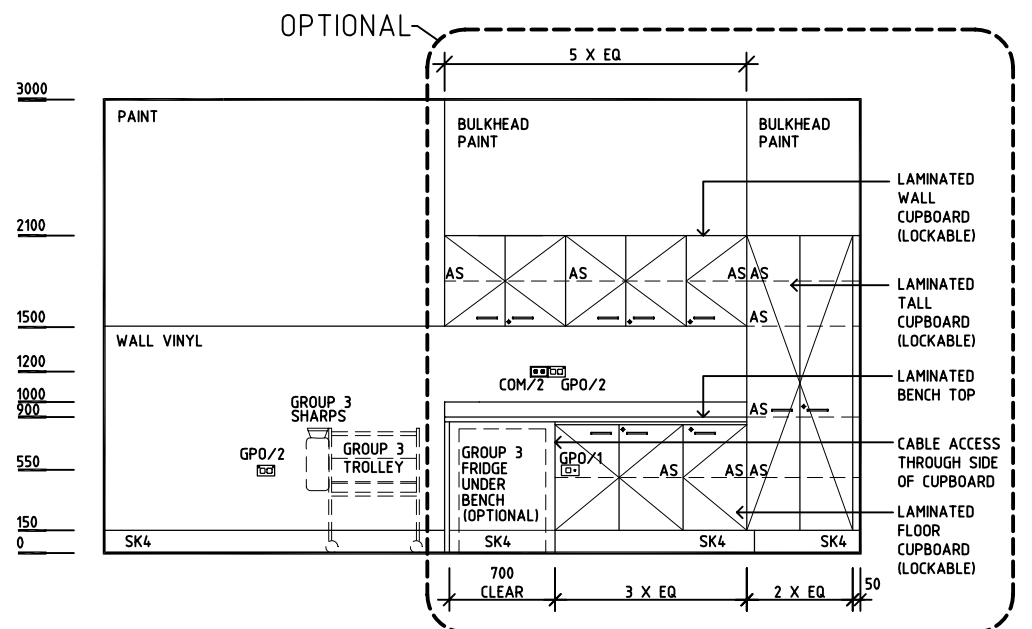
ELEVATION 1



ELEVATION 2



ELEVATION 3



ELEVATION 4

REV	DESCRIPTION	DATE	BY	REV	DESCRIPTION	DATE	BY	REV	DESCRIPTION	DATE	BY
1	FIRST ISSUE	2.12.03	AL								
2	GENERAL REVISIONS INCL NAME CHANGE	7.6.05	AL								
3	GENERAL REVISION	14.8.08	CX								



DESIGNED	APPROVED	SCALE(S)	ZONE(S)
AL	DB	150 in A3	
CAD FILE NAME PROC-20		PAPER DRAWING ID PROC-20	