

# AUSTRALASIAN HFG STANDARD COMPONENTS

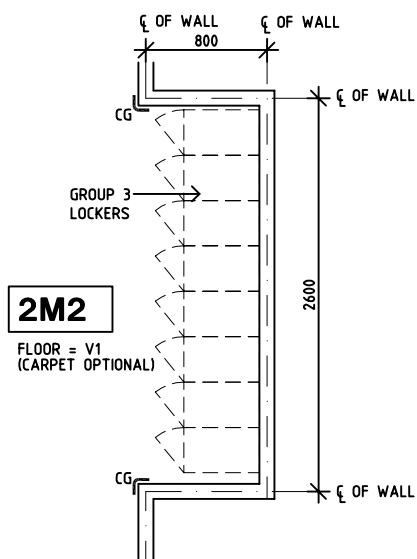
Room Layout Sheet

Room Name **Property Bay - Staff, 2m2**

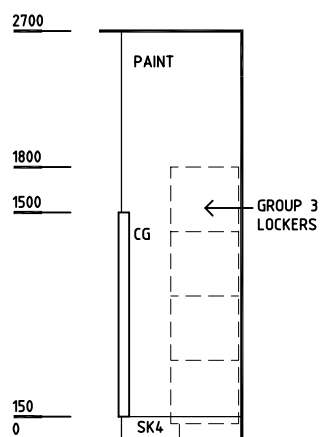
RLS Room Code **PROP-2**

RDS Room Code **PROP-2**

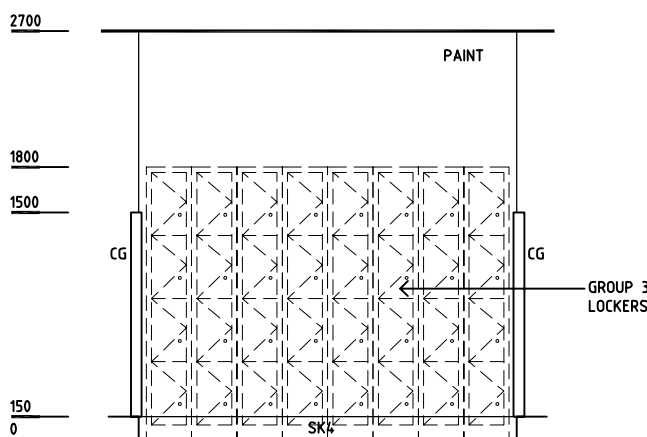
CG CORNER GUARD  
SK4 FLOOR VINYL COVERED SKIRTING  
V1 VINYL FLOORING, STANDARD



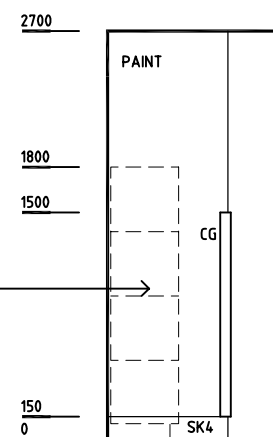
**PLAN**



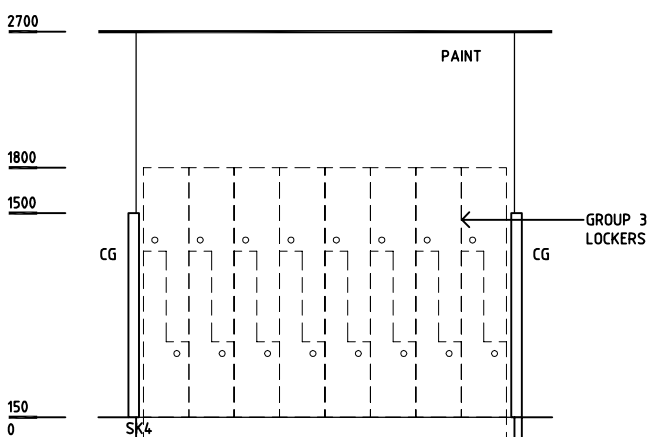
**ELEVATION 1**



**ELEVATION 2  
OPTION FOR QUARTER LOCKERS**



**ELEVATION 3**



**ELEVATION 2  
OPTION FOR INTERLOCKED HALF LOCKERS**

REV	DESCRIPTION	DATE	BY	REV	DESCRIPTION	DATE	BY	REV	DESCRIPTION	DATE	BY
1	FIRST ISSUE	10.12.03	AL								
2	GENERAL REVISIONS	25.5.05	AL								

			DESIGNED	APPROVED	SCALE(S)	ZONE(S)
			AL/JT	DB	150 in A3	
			CAD FILE NAME PROP-2		PAPER DRAWING ID PROP-2	