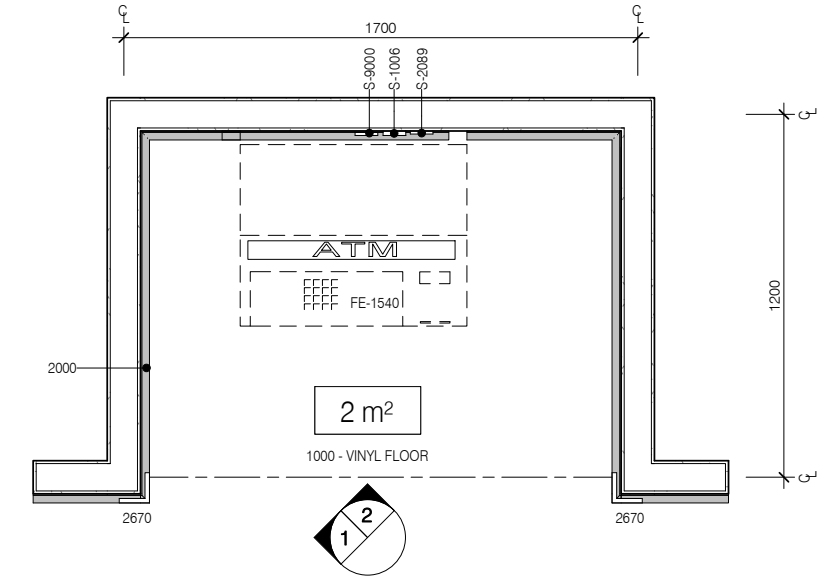
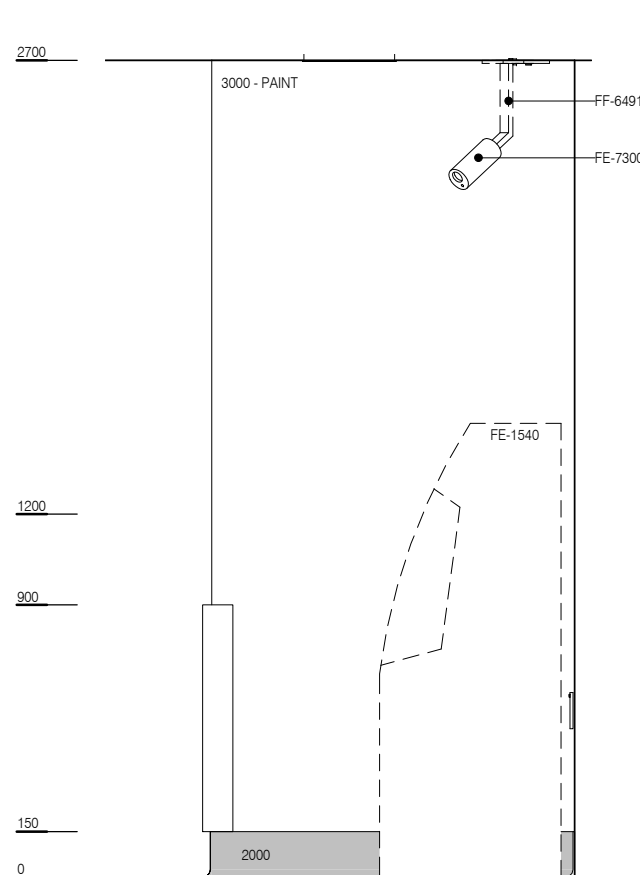


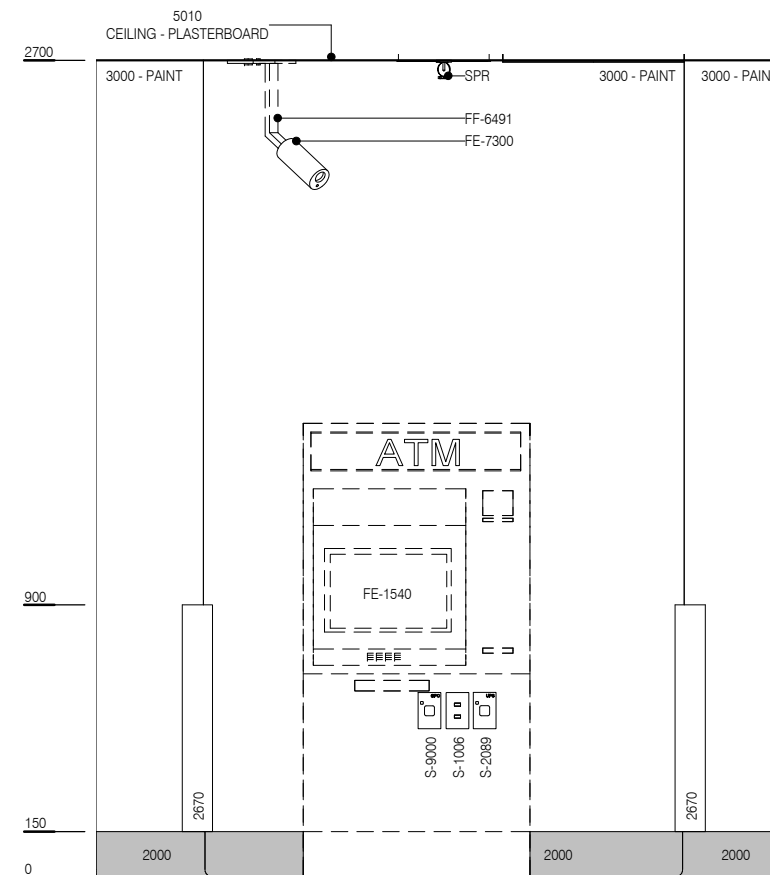
BIMID	DESCRIPTION
2000	FLOOR VINYL COVERED SKIRTING
2670	WALL PROTECTION - CORNER GUARD
FE-1540	ATM MACHINE
FE-7300	CCTV - CAMERA
FF-6491	BRACKET - CCTV CAMERA
S-1006	VOICE DATA OUTLET - DOUBLE
S-1983	FLUORESCENT DOWNLIGHT - RECESSED
S-2069	EMERGENCY POWER OUTLET - SINGLE
S-2089	GENERAL POWER OUTLET - UPS
S-5000-1	SUPPLY AIR GRILLE - 600 x 600
S-9000	GENERAL POWER OUTLET - SINGLE
S-1005110	DATA OUTLET FOR CAMERA



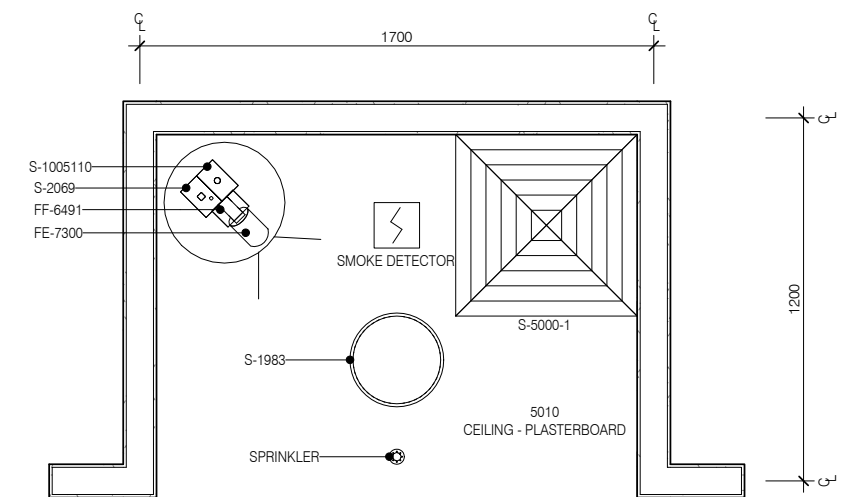
PLAN



ELEVATION 1



ELEVATION 2



REFLECTED CEILING PLAN

REV	DESCRIPTION	DATE
1	New Standard Component	01.03.2016

SCALE	RLS Room Code	Room Tag	REV
1 : 25 @ A3	BATM-2	1.255	1