

AUSTRALASIAN HFG STANDARD COMPONENTS

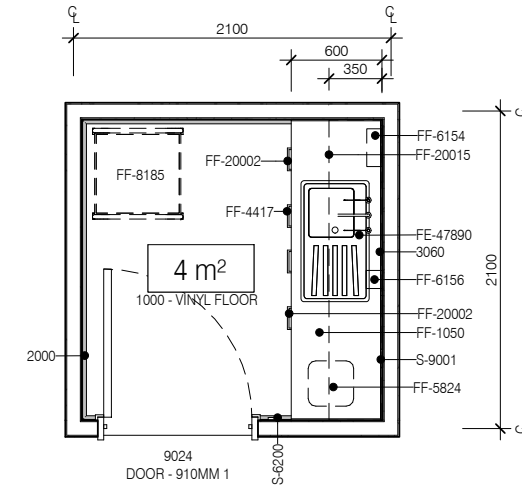
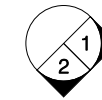
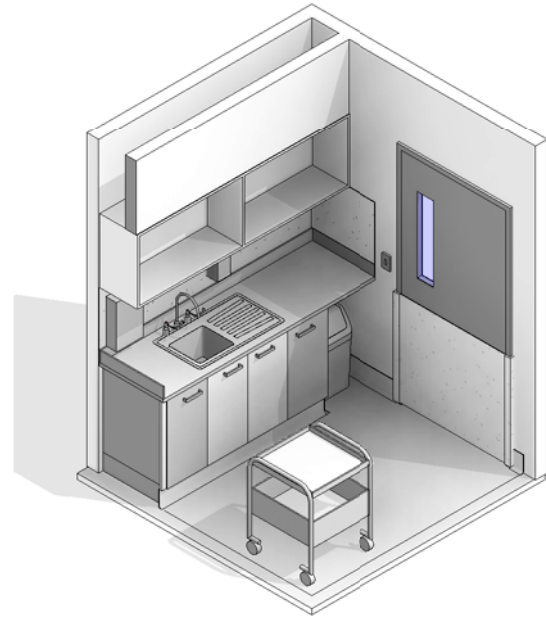
Room Layout Sheet

RLS Room Code: **BFLW-ENC**

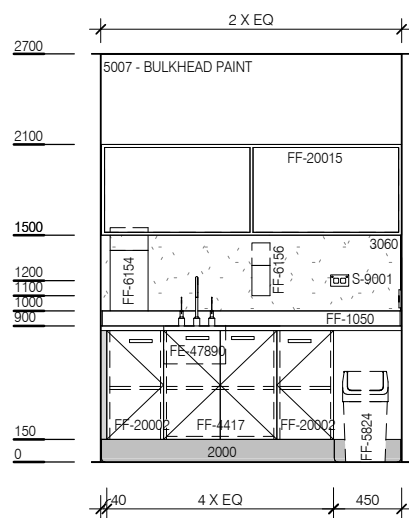
Room Name:

1:50 2.5m 2 1.5 1 0.5 0
BAY - FLOWERS, ENCLOSED, 4m²

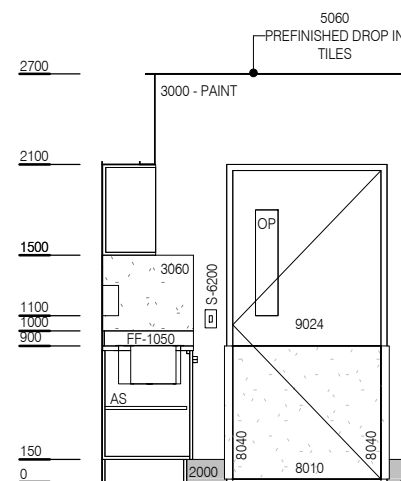
BIMID	DESCRIPTION
2000	FLOOR VINYL COVERED SKIRTING
3060	WALL VINYL - 3060
8010	DOOR PROTECTION
8040	DOOR PROTECTION - FRAME
FE-4045	TAPWARE - ELBOW MIXER 1
FE-47890	SINK WITH DRAINER, STAINLESS STEEL
FF-1050	BENCHTOP - LAMINATE
FF-4417	CUPBOARD - UNDER BENCH DOUBLE - 750W X 870H X 600D
FF-5824	WASTE BIN, GENERAL
FF-6154	DISPENSER - HAND TOWEL
FF-6156	DISPENSER - SOAP
FF-8185	TROLLEY - FLOWER
FF-20002	CUPBOARD - UNDER BENCH - 375W X 870H X 600D
FF-20015	SHELVING UNIT - 2X1
S-6200	LIGHT SWITCH
S-9001	GENERAL POWER OUTLET - DOUBLE



PLAN



ELEVATION 1



ELEVATION 2



REV	DESCRIPTION	DATE
5	This RLS has been redocumented	01.03.2016

FOR GUIDANCE

SCALE	RLS Room Code	Room Tag	REV
1 : 50 @ A3	BFLW-ENC	1.038	5