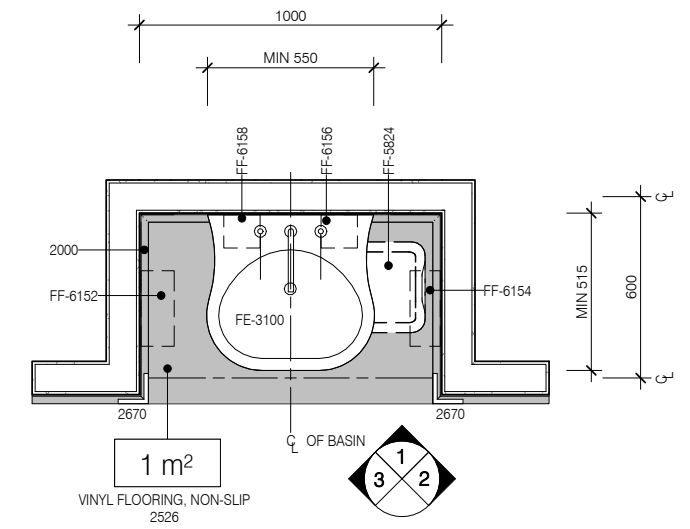
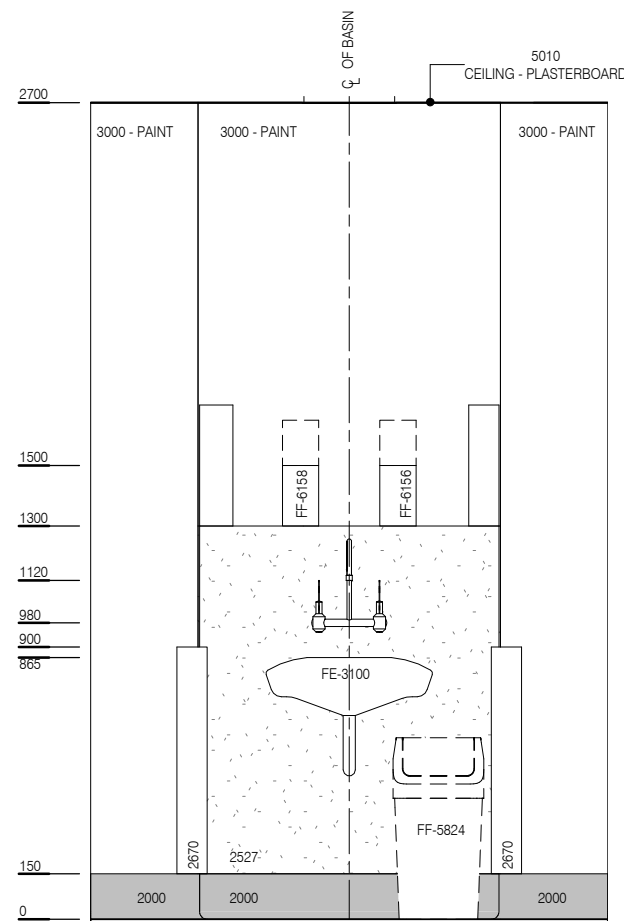


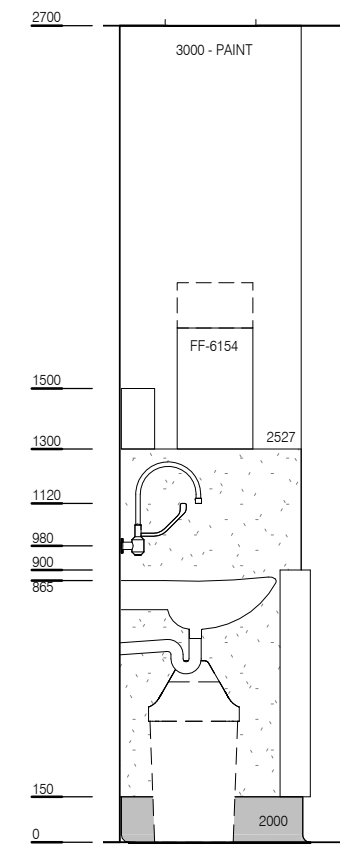
BIMID	DESCRIPTION
2000	FLOOR VINYL COVERED SKIRTING
2526	VINYL FLOORING, NON-SLIP 2526
2527	WALL SPLASHBACK
2670	WALL PROTECTION - CORNER GUARD
FE-3100	BASIN - SCRUB, TYPE A
FF-5824	WASTE BIN, GENERAL
FF-6152	DISPENSER - DISPOSABLE GLOVES
FF-6154	DISPENSER - HAND TOWEL
FF-6156	DISPENSER - SOAP
FF-6158	DISPENSER - SOAP ANTISEPTIC
S-1983	FLUORESCENT DOWNLIGHT - RECESSED



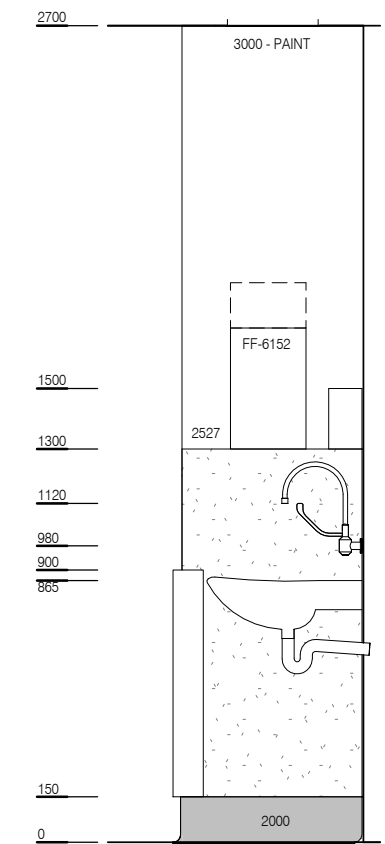
PLAN



ELEVATION 1



ELEVATION 2



ELEVATION 3