

# AUSTRALASIAN HFG STANDARD COMPONENTS

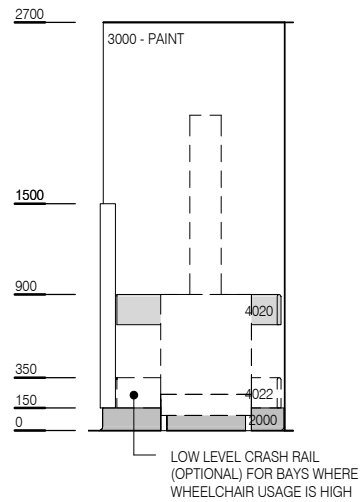
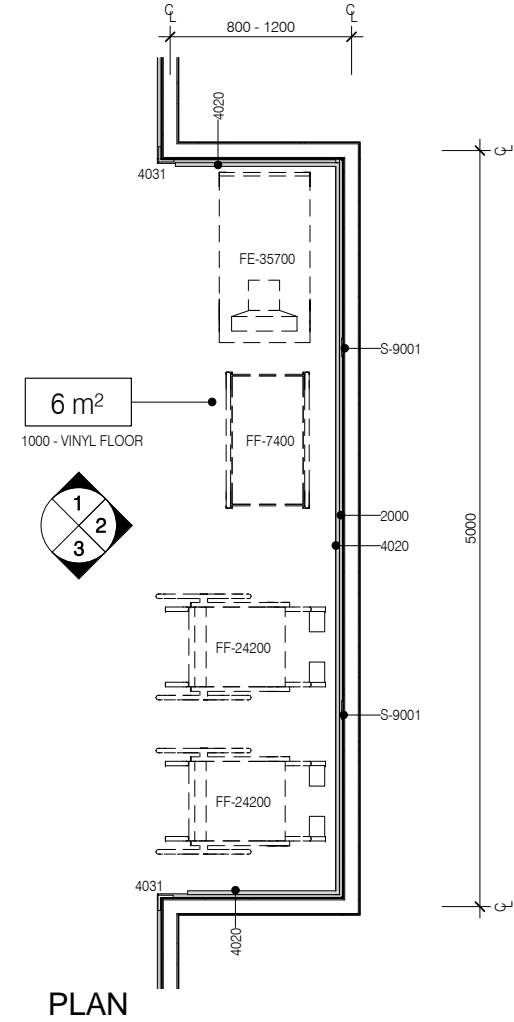
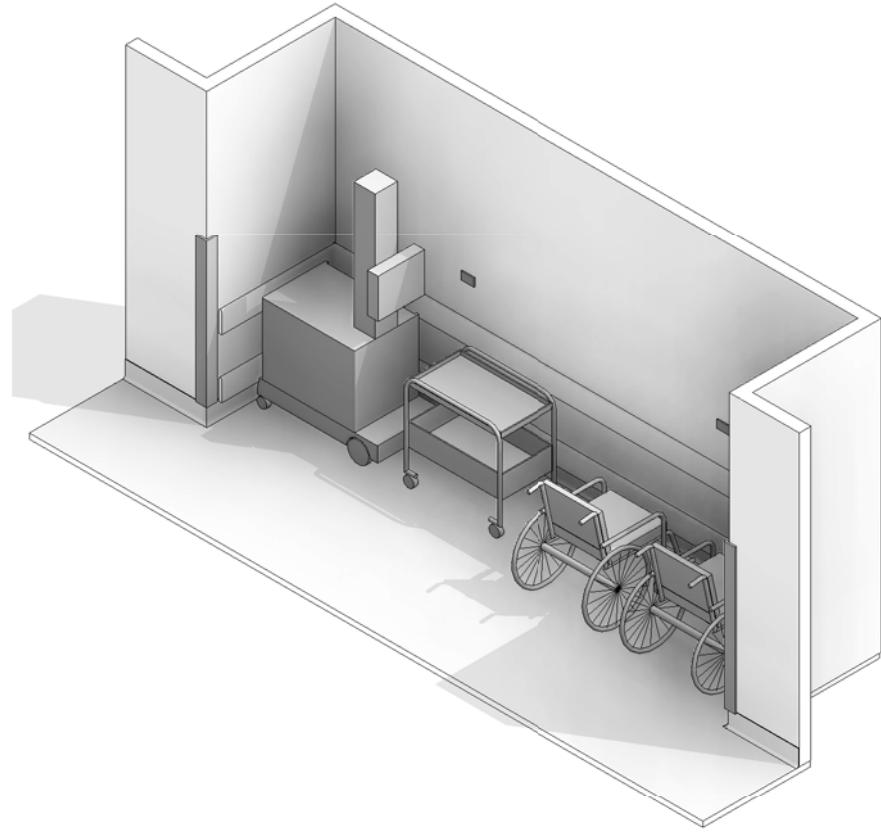
Room Layout Sheet

RLS Room Code: **BMEQ-6**

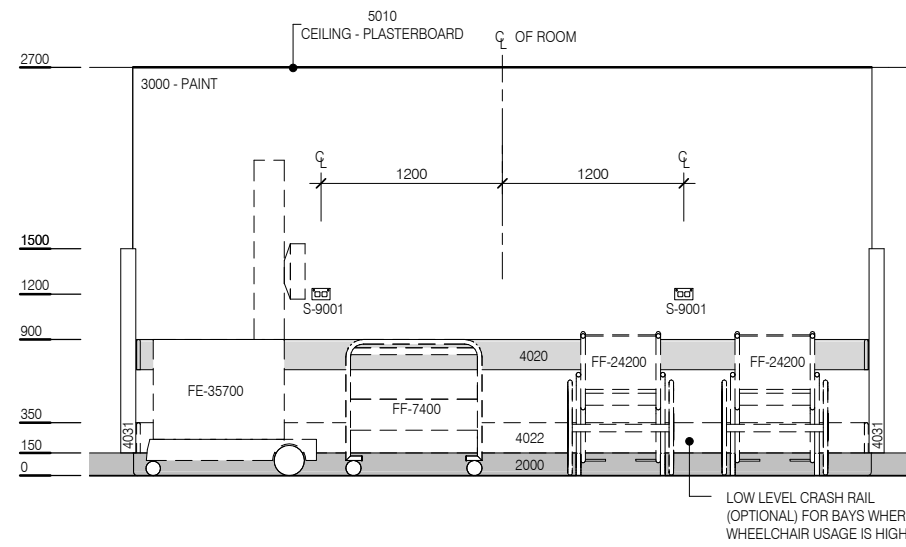
Room Name:

1:50 2.5m 2 1.5 1 0.5 0  
**BAY - MOBILE EQUIPMENT, 6m<sup>2</sup>**

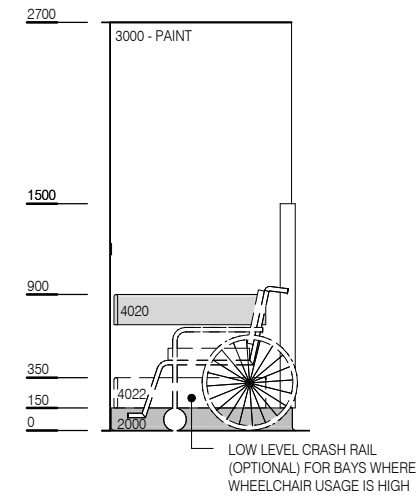
BIMID	DESCRIPTION
2000	FLOOR VINYL COVERED SKIRTING
4020	WALL PROTECTION - CRASH RAIL 4020
4022	WALL PROTECTION - CRASH RAIL 4022
4031	CORNER GUARD 4031
FE-35700	IMG - X-RAY MACHINE, MOBILE
FF-7400	TROLLEY - EQUIPMENT
FF-24200	WHEELCHAIR
S-9001	GENERAL POWER OUTLET - DOUBLE



ELEVATION 1



ELEVATION 2



ELEVATION 3



REV	DESCRIPTION	DATE
4	This RLS has been redocumented	01.03.2016

FOR GUIDANCE

SCALE	RLS Room Code	Room Tag	REV
1 : 50 @ A3	BMEQ-6	1.046	4