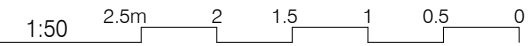


# AUSTRALASIAN HFG STANDARD COMPONENTS

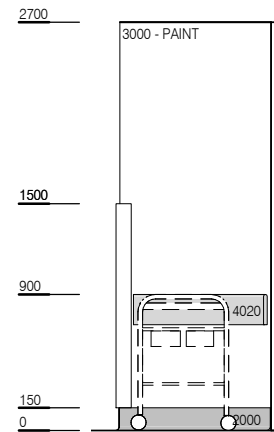
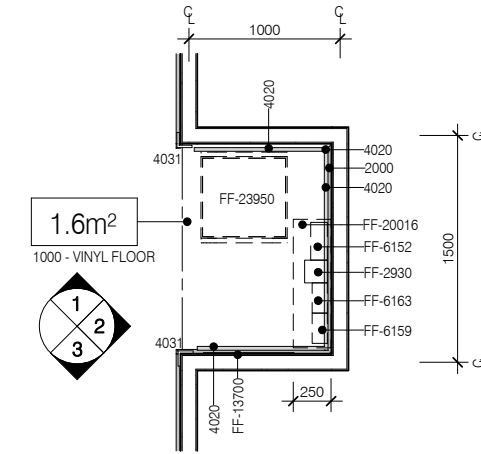
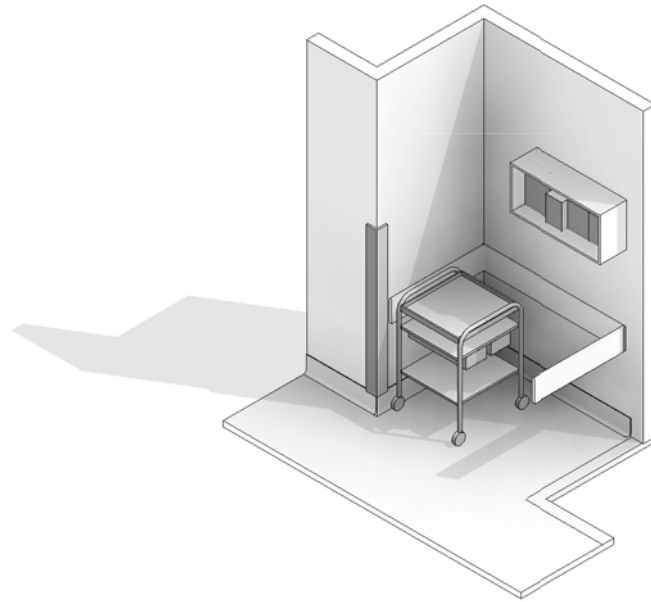
Room Layout Sheet

RLS Room Code: **BPPE**

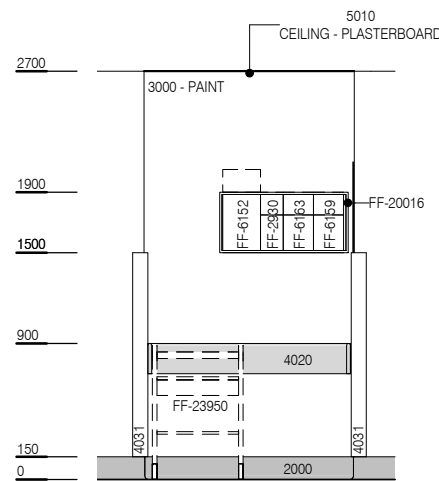
Room Name: **BAY - PPE (PERSONAL PROTECTIVE EQUIPMENT)**



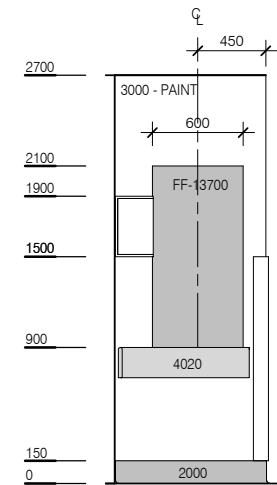
BIM ID	DESCRIPTION
2000	FLOOR VINYL COVERED SKIRTING
4020	WALL PROTECTION - CRASH RAIL 4020
4031	CORNER GUARD 4031
FF-2930	DISPENSER - GOWN
FF-6152	DISPENSER - DISPOSABLE GLOVES
FF-6159	DISPENSER - GOGGLES
FF-6163	DISPENSER - MASK
FF-13700	MIRROR
FF-20016	SHELVING UNIT - PPE
FF-23950	TROLLEY - PATIENT



ELEVATION 1



ELEVATION 2



ELEVATION 3



REV	DESCRIPTION	DATE
5	This RLS has been redocumented	01.03.2016

FOR GUIDANCE

SCALE	RLS Room Code	Room Tag	REV
1 : 50 @ A3	BPPE	1.048	5