

AUSTRALASIAN HFG STANDARD COMPONENTS

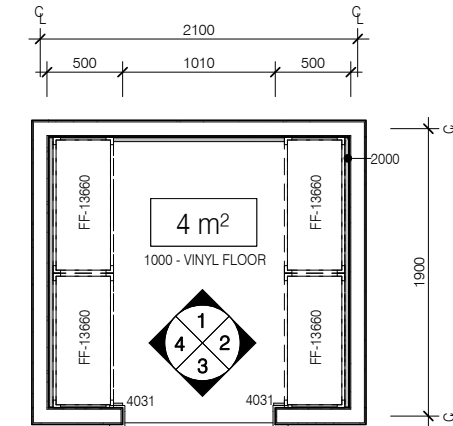
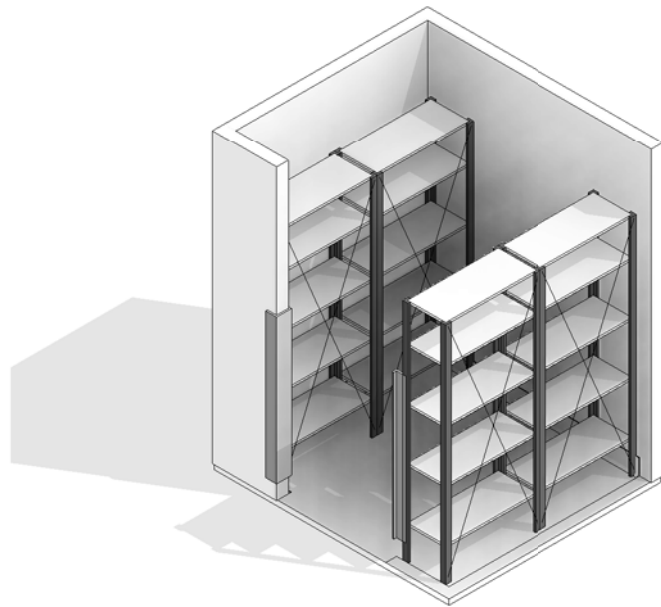
Room Layout Sheet

RLS Room Code: **BS-4**

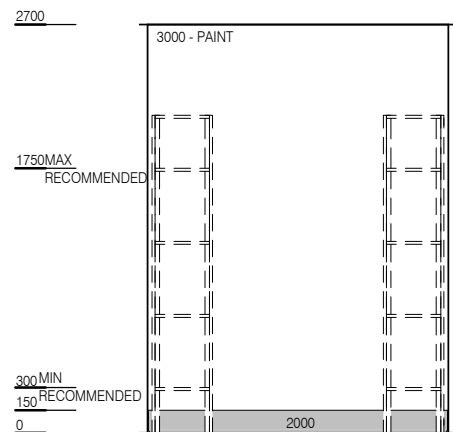
Room Name:

1:50 **BAY - STORAGE, 4m²**

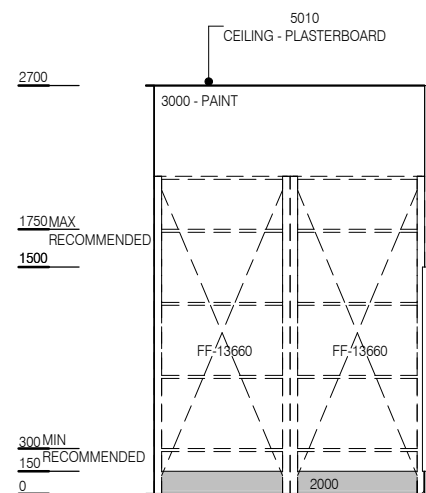
BIMID	DESCRIPTION
2000	FLOOR VINYL COVERED SKIRTING
4031	CORNER GUARD 4031
FF-13660	METAL SHELVING - 900 X 400 X2100



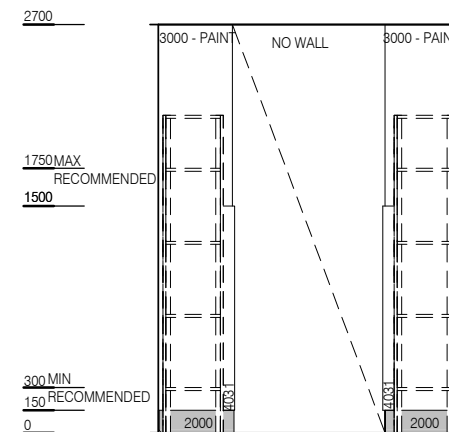
PLAN



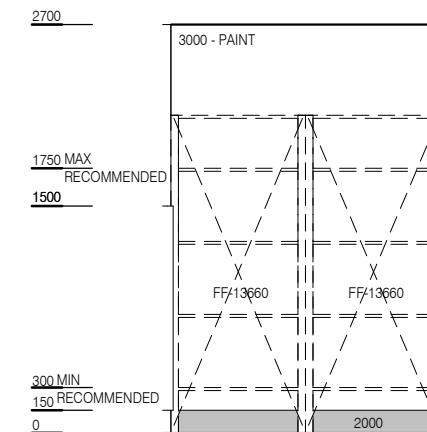
ELEVATION 1



ELEVATION 2



ELEVATION 3



ELEVATION 4



REV	DESCRIPTION	DATE
3	This RLS has been redocumented	01.03.2016

FOR GUIDANCE

SCALE	RLS Room Code	Room Tag	REV
1 : 50 @ A3	BS-4	1.055	3