

# AUSTRALASIAN HFG STANDARD COMPONENTS

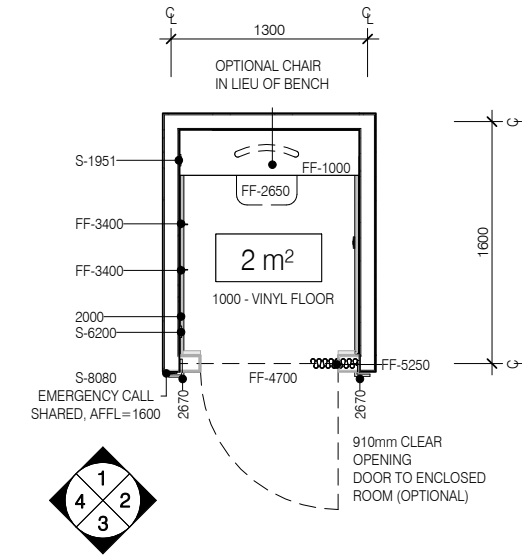
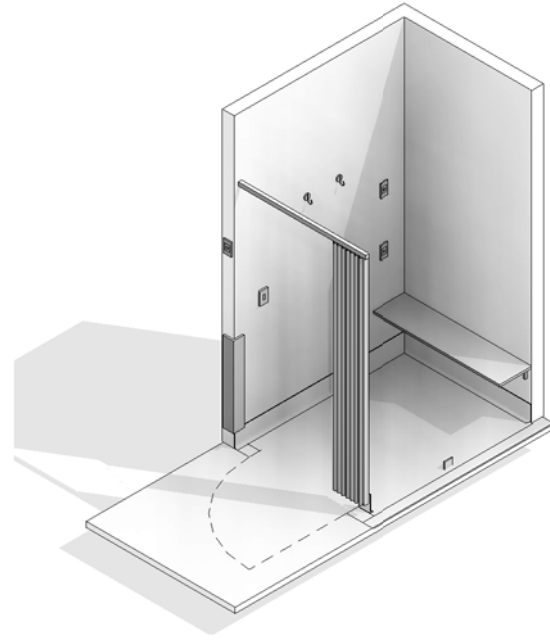
Room Layout Sheet

RLS Room Code: **CHPT**

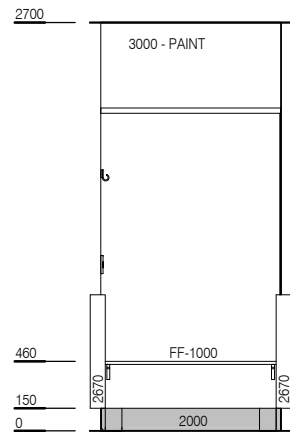
Room Name:

1:50 2.5m 2 1.5 1 0.5 0  
**CHANGE CUBICLE - PATIENT, 2m<sup>2</sup>**

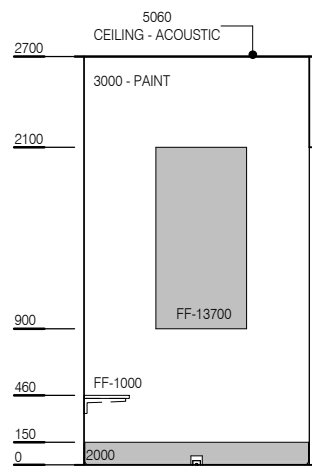
BIMID	DESCRIPTION
2000	FLOOR VINYL COVED SKIRTING
2670	WALL PROTECTION - CORNER GUARD
FF-1000	BENCH SEAT - WALL HUNG
FF-2650	CHAIR - VISITOR, PATIENT
FF-3400	COAT HOOK
FF-4700	CURTAIN TRACK - PRIVACY SCREEN STRAIGHT
FF-5250	CURTAIN - PRIVACY SCREEN
FF-13700	MIRROR
S-1951	STAFF ASSIST CALL
S-6200	LIGHT SWITCH
S-8000	PATIENT TO STAFF CALL
S-8080	EMERGENCY CALL



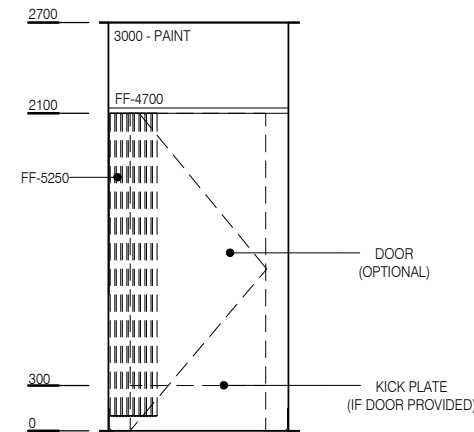
**PLAN**



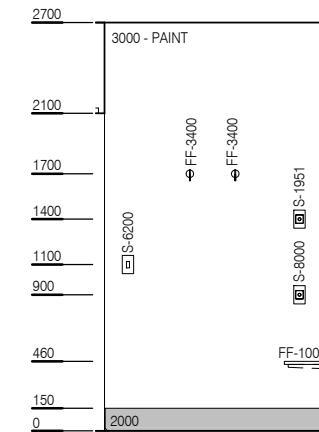
**ELEVATION 1**



**ELEVATION 2**



**ELEVATION 3**



**ELEVATION 4**



REV	DESCRIPTION	DATE
4	This RLS has been reviewed, redocumented and reissued	01.03.2016

**FOR GUIDANCE**

SCALE	RLS Room Code	Room Tag	REV
1 : 50 @ A3	CHPT	1.065	4