

# AUSTRALASIAN HFG STANDARD COMPONENTS

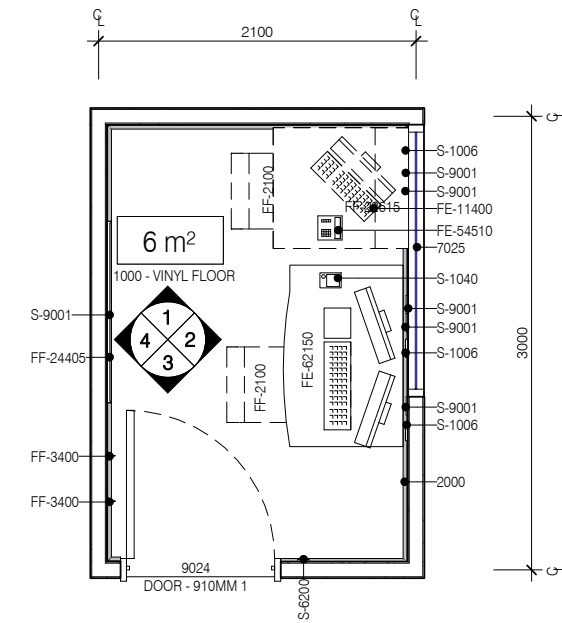
Room Layout Sheet

RLS Room Code: **CTCR**

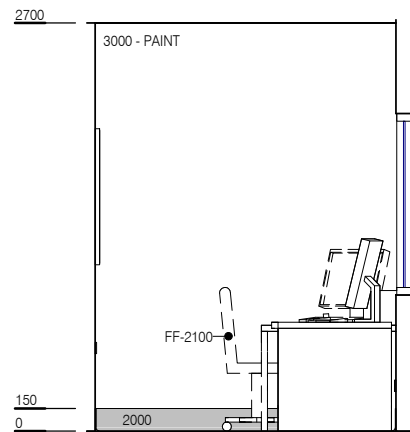
Room Name:

1:50 2.5m 2 1.5 1 0.5 0  
**CT SCANNING - CONTROL ROOM**

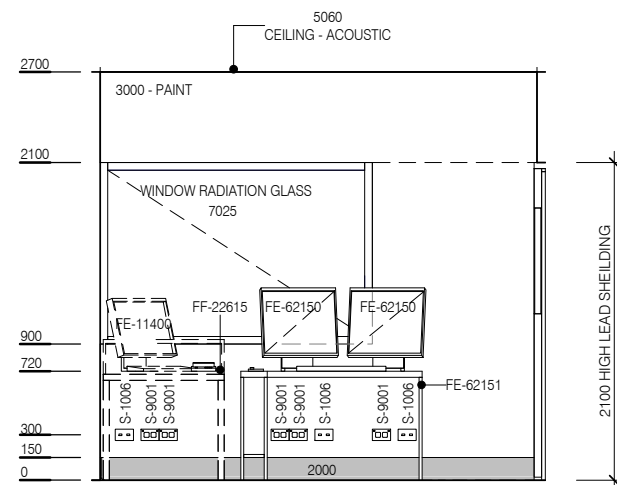
BIMID	DESCRIPTION
2000	FLOOR VINYL COVERED SKIRTING
7025	OBSERVATION LEAD LINED - RADIATION WINDOW
8000	DOOR PROTECTION - KICKPLATE - 8000
FE-11400	COMPUTER - PC & MONITOR
FE-54510	TELEPHONE - HANDSET, STANDARD
FE-62150	IMG - CONSOLE, CONTROL
FE-62151	IMG - CONSOLE, CONTROL STAND
FF-2100	CHAIR - ERGONOMIC OFFICE
FF-3400	COAT HOOK
FF-22615	TABLE - COMPUTER
FF-24405	WHITEBOARD - MAGNETIC
S-1006	VOICE DATA OUTLET - DOUBLE
S-1040	INTERCOM HANDS FREE
S-6200	LIGHT SWITCH - PELMET TASK LIGHT
S-9001	GENERAL POWER OUTLET - DOUBLE



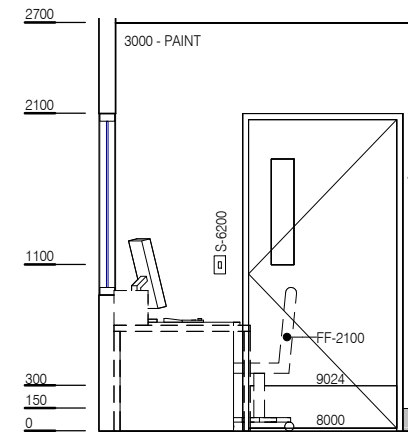
**PLAN**



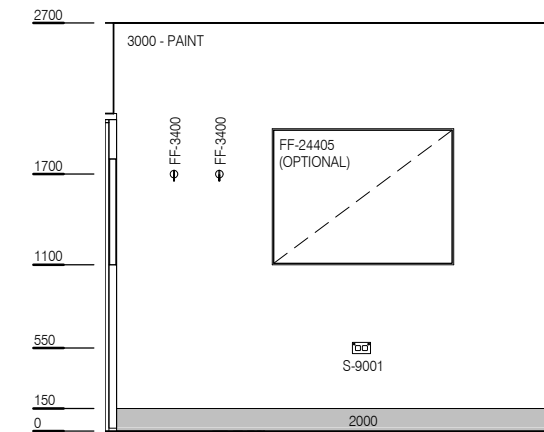
**ELEVATION 1**



**ELEVATION 2**



**ELEVATION 3**



**ELEVATION 4**



REV	DESCRIPTION	DATE
2	This RLS has been redocumented	01.03.2016

**FOR GUIDANCE**

SCALE	RLS Room Code	Room Tag	REV
1 : 50 @ A3	CTCR	1.081	2